



WHELEN AEROSPACE TECHNOLOGIES

Phone: (860) 526-9504

Internet: www.flyWAT.com

Sales/Service e-mail: info@flyWAT.com

**Installation Guide:  
BLAZE Series Lighting  
Aviation Model(s) - BLAZE1R, BLAZE1G  
P/N 01-95001-01, 01-95001-02  
(Experimental and Light Sport Aircraft)**

**⚠ WARNING:** This product can expose you to chemicals including Methylene Chloride which is known to the State of California to cause cancer, and Bisphenol A, which is known to the State of California to cause birth defects or other reproductive harm. For more information go to www.P65Warnings.ca.gov.

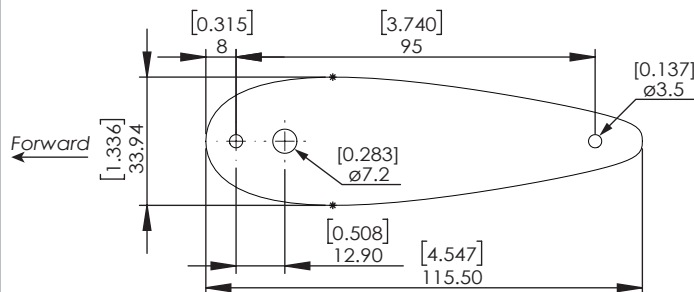
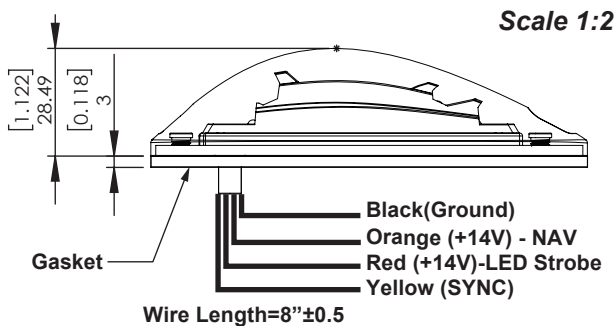
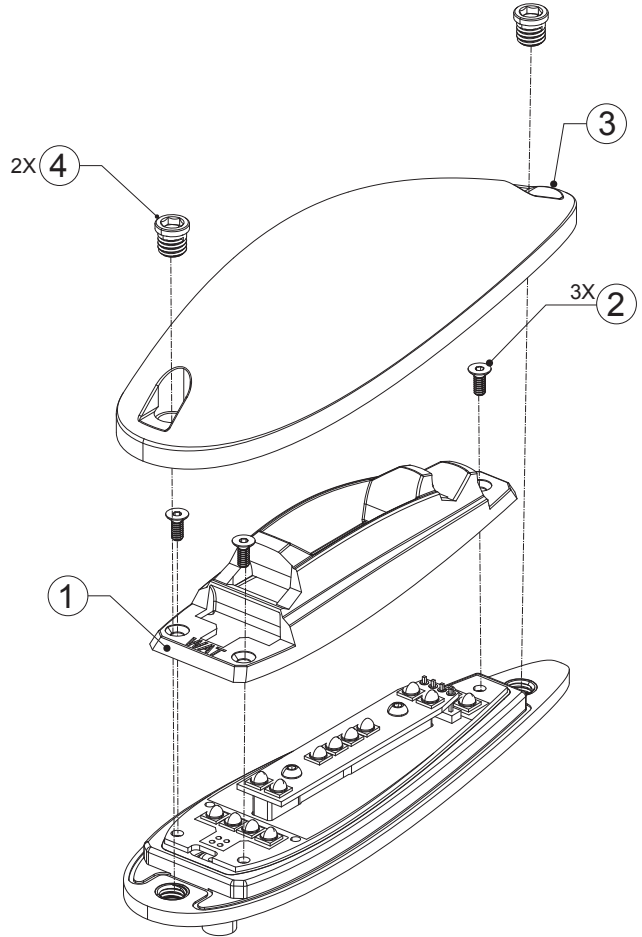
FOR EXPERIMENTAL USE ONLY. NOT TSO APPROVED

**installation instructions...**

1. Drill two appropriate clearance holes to accommodate #6-32 fasteners per suggested mounting pattern.
2. Connect the wires using the wire chart. All leads must be connected by FAA approved techniques using approved hardware.
3. Make sure the existing system is equipped with an appropriate sized breaker.
4. Install the light assembly and insure that all leads are clear obstructions and ty-wrap as required.
5. Secure light assembly using approved vibration resistant hardware methods.

**SPECIFICATIONS:**

Dimensions (inches): .....4.547" x 1.336" x 1.122"  
 Weight: ..... 0.17 lbs  
 Operating Voltage Range: ..... 11 – 16 V DC  
 Input Current – Position / Nav - green (@14V): .....0.40 A  
 Input Current – Position / Nav - red (@14V): .....0.40 A  
 Input Current – Strobe (@14V): ..... 2.15Amps peak  
 Flashrate .....45±5 cycles per minute  
 Recommended size Mounting Screws.....#6-32 (M3)



QTY	QTY	ITEM	PART NUMBER	DESCRIPTION
*			01-95001-01	BLAZE1R Wingtip Light 14 VDC (Red)
*			01-95001-02	BLAZE1G Wingtip Light 14 VDC (Green)
1	1	1	PC201006	BLAZE-Reflector
3	3	2	MS099002	M2*5 Flat head hex cap screw,sus
1	1	3	PC099056	BLAZE-Light cover,PC,HC ETERCURE 6776
2	2	4	MT099109	BLAZE-Stainless Stud

**NOTE:** Connecting the SYNC (Yellow) wires together will cause those lights to flash at the same time. If synchronization is not necessary or desired, the connection may be left open.