



WHELEN AEROSPACE TECHNOLOGIES

Phone: (860) 526-9504

Internet: www.flyWAT.com

Sales/Service e-mail: info@flyWAT.com

Installation Guide/ICA:

Model 7190800

P/N: 01-0771908-00

LED Compartment Light Assembly

SPECIFICATIONS:

Nominal Operational Voltage:..... 28 VDC

(Operational from 22 - 32 VDC)

Nominal Input Current: 100 mAmps

CONTINUED AIRWORTHINESS: The compartment light is designed with 6 white LEDs. If one or more LEDs fails, the unit may be replaced at the discretion to the operator.

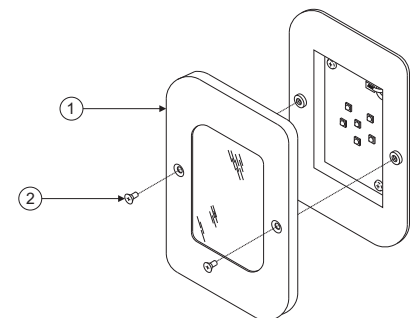
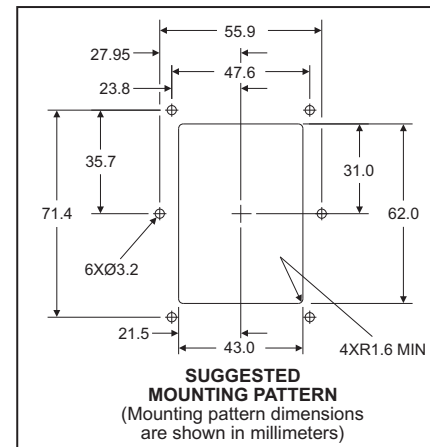
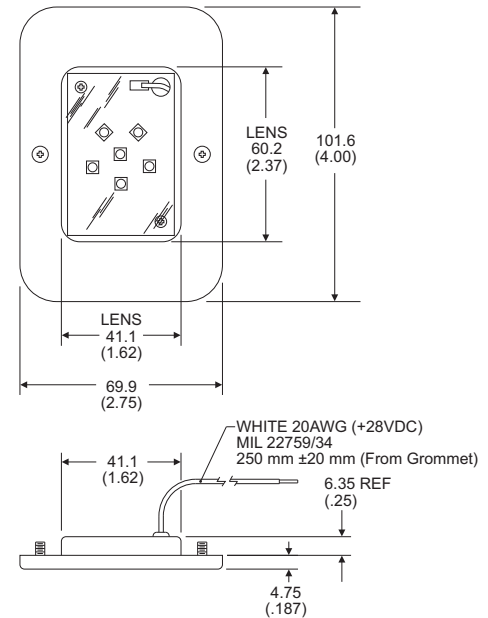
Note: To reduce eye strain, use an optical filter such as dark glasses or a blue covering dome during LED inspection.

Inspect the lens. If there is excessive scratching, pitting, discoloration or cracking the lens may be replaced at the discretion of the operator.

PERIODIC INSPECTIONS: An annual inspection shall be performed unless the OEM specifies a shorter interval.

INSTALLATION PROCEDURES: The following information provides guidelines for the installation of the WAT LED compartment light. Please refer to the OEM manual for your aircraft for specific removal and installation instructions.

1. Using the mounting detail information provided, prepare the aircraft for means to secure the light assembly.
2. Connect the power lead to an appropriately sized breaker. Connections to be in accordance with FAA approved methods.
3. Carefully remove the #4 Phillips screw (qty 2) and remove the lens and retainer. **CAUTION:** Do not touch the LEDs with either fingers or sharp objects. This could soil and/or damage the LEDs and affect the optical performance of the light.
4. Using the appropriate hardware, install the light. Insure that all leads are clear of any obstructions and secured as required.
5. Reinstall the lens and retainer. **Note:** This unit is designed for cabin installation. The liner of the cabin or a gasket is recommended to be installed between the retainer and the baseplate. Reinsert screws and tighten firmly.
6. Place the light switch in the ON position and verify proper operation of the WAT Light.



PARTS LIST

- 1 Lens and Retainer P/N 02-0350291-03
- 2 Screws 4-40 X 3/8 PFH 82/CSNK MS51959-15