



WHELEN AEROSPACE TECHNOLOGIES

Phone: (860) 526-9504

Internet: www.flyWAT.com

Sales/Service e-mail: info@flyWAT.com

Installation Guide/ICA:
Model(s) 9068001, 9068002

P/N(s): 01-0790680-01, -02

LED Wingtip Position Light Assembly

TSO-C30c
TYPE I, II
APPROVED

The conditions and tests required for TSO approval of this article are minimum performance standards. Those installing this article either on or within a specific type or class of aircraft must determine that the aircraft installation conditions are within the TSO standards which include any accepted integrated non-TSO functions. TSO articles and any accepted integrated non-TSO function(s) must have separate approval for installation in an aircraft. The article may be installed only according to 14 CFR part 43 or the applicable airworthiness requirements.

WARNING: This product can expose you to chemicals including Methylene Chloride which is known to the State of California to cause cancer, and Bisphenol A, which is known to the State of California to cause birth defects or other reproductive harm. For more information go to www.P65Warnings.ca.gov.

SPECIFICATIONS:

Nominal Operational Voltage:.....28VDC
(Operational from 22-32VDC)

Input Current0.25 Amps

EQUIPMENT LIMITATIONS: An approved forward lighting system consists of two lights, one located on each wingtip.

Certain types of installations may require additional testing.

AIRWORTHINESS LIMITATIONS: The Airworthiness Limitations section is FAA approved and specifies inspections and other maintenance required under §43.16 and §91.403 of the Federal Aviation Regulations, unless an alternative program has been approved.

No airworthiness limitations are associated with the installation of the light assembly.

CONTINUED AIRWORTHINESS: The forward position light is designed with 6 Green LEDs or 8 Red LEDs.

If any one LED fails, the model must be repaired or replaced.
NOTE: To reduce eye strain, use an optical filter such as dark glasses or a blue covering dome during LED inspection.

The lens area of the assembly is equipped with an abrasion resistant, protective mask. This mask should be inspected for excessive scratching, pitting, discoloration, cuts, blisters, perforations or edge lifting. Replace the lens/retainer assembly as required.

The abrasion protective mask requires periodic cleaning and waxing. Clean lens with a non-alcohol based cleaning solution. After cleaning, wax lens with a non-silicon based paste wax.

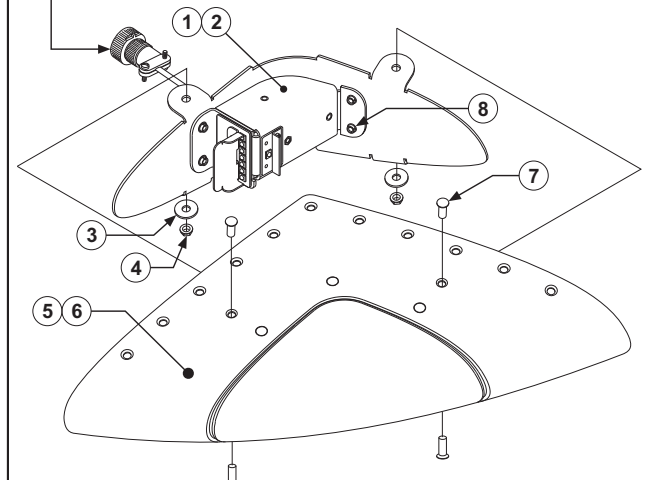
PERIODIC INSPECTIONS: An annual inspection shall be performed unless the OEM specifies a shorter interval.

INSTALLATION PROCEDURE: The following information is to assist you in installing a WAT light system. The installation procedure described in the following text will be confined to a left light installation.

1. Make the necessary wiring connections and test for proper operation of the LED module.
2. Using the appropriate #8 flat head screws, install the Lens/Retainer assembly onto the wingtip mounting flange.
3. Check all avionics systems for interference from this installation.
4. A flight check should be performed by a properly certified pilot.
5. If required, update aircraft records utilizing FAA Field Approval (Form 337) or equivalent.

Connector MS3476L8-33P: LEFT HAND VIEW SHOWN FOR REFERENCE
 A +28VDC
 B N/C
 C Ground

CAUTION! Do not touch the LEDs with either fingers or sharp objects, as this could soil or damage the LEDs and effect the optical performance of the light.



- 1 01-0290682-L0 Position Light Module, Left, Red
- 2 01-0290682-R0 Position Light Module, Right, Green
- 3 16-0801290-32 Washer, #8 Flat Aluminum NAS1149
- 4 13-082150-080 Nut, 8-32 Hex Aluminum MS21083D08
- 5 02-0390678-L0 Lens Assy, Model 90680 Left
- 6 02-0390678-R0 Lens Assy, Model 90680 Right
- 7 18-1305020-01 Pin, Hi-Lok 100D Flush Shear HD
- 8 14-0050503B28 Screw, 6-32 x 3/8 MS 51957B28