



WHELEN AEROSPACE TECHNOLOGIES

Phone: (860) 526-9504

Fax: (860) 526-2009

Internet: www.flyWAT.com

Sales/Service e-mail: info@flyWAT.com

**Installation Guide/ICA:
Model(s) 9032501,9032502
P/N(s) 01-0790325-01, 01-0790325-02
LED Anti-Collision / Position Light Ass'y**

TSO-C30c
TYPES I, II, III
APPROVED

TSO-C96a
CLASS II
APPROVED

The conditions and tests required for TSO approval of this article are minimum performance standards. Those installing this article either on or within a specific type or class of aircraft must determine that the aircraft installation conditions are within the TSO standards which include any accepted integrated non-TSO functions. TSO articles and any accepted integrated non-TSO function(s) must have separate approval for installation in an aircraft. The article may be installed only according to 14 CFR part 43 or the applicable airworthiness requirements.

SPECIFICATIONS:

Nominal Operational Voltage:..... 28 VDC

Total Weight..... 1.2 lbs.

EQUIPMENT LIMITATIONS: An approved Anti-Collision / Position System consists of assembly 90325() and flasher 7112000, located on each wingtip. Certain types of installations may require additional testing.

AIRWORTHINESS LIMITATIONS: The Airworthiness Limitations section is FAA approved and specifies inspections and other maintenance required under §43.16 and §91.403 of the Federal Aviation Regulations, unless an alternative program has been approved.

No airworthiness limitations are associated with the installation of the light assembly.

CONTINUED AIRWORTHINESS: The forward position light is designed with 6 LED's. The rear position light is designed with 3 LED's. The Anti-Collision light is designed with 36 LED's. If any one LED fails, the lighthouse module must be repaired or replaced. Inspect the lens for excessive scratches or pitting. Replace if necessary. For additional lens maintenance detail, see SAE ARP5637.

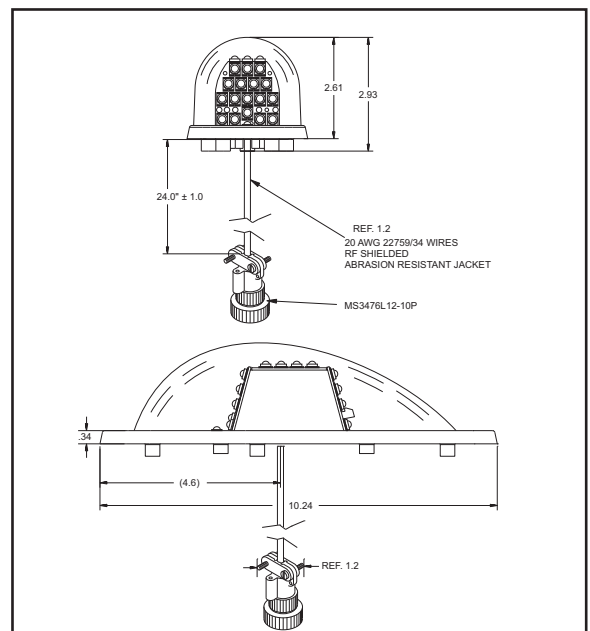
Note: The anti-collision light will automatically shut-off after 9-10 flashes if a failure is detected.

PERIODIC INSPECTIONS: An annual inspection shall be performed unless the OEM specifies a shorter interval.

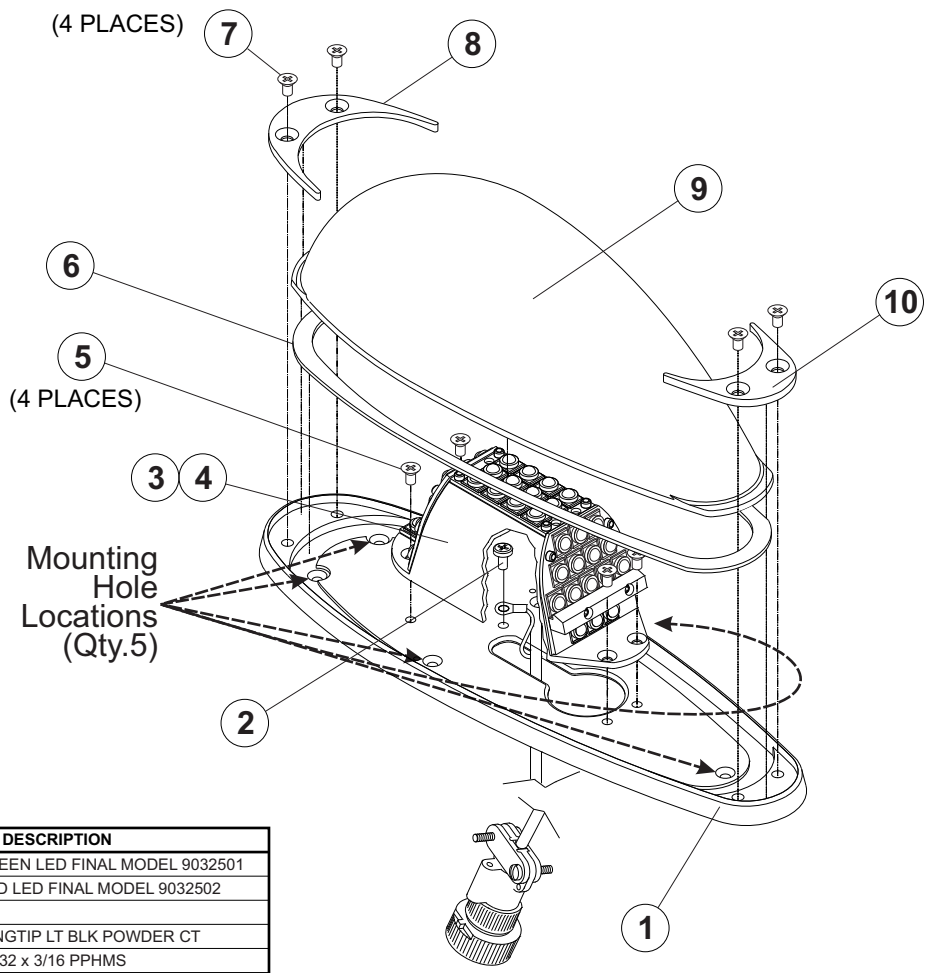
INSTALLATION PROCEDURES: The following information is to assist you in installing a WAT Anti-Collision / Position light system. Please refer to the OEM manual for your aircraft for specific removal and installation instructions.

1. Choose the appropriate Model 90325 - () replacement light assembly.
2. Carefully remove the 4 screws, retainers and lens. **CAUTION!** Do not touch the LEDs with either fingers or sharp objects, as this could soil or damage the LEDs and effect the optical performance of the light.

3. Using #6 flathead screws, install light assembly and insure that all leads are clear of any obstructions and ty-rop as required. Secure light assembly, using vibration resistant threaded fasteners.
4. Connect the MS connector to flasher/current source model 7112000.
5. Check all avionics systems for interference from this installation.
6. A flight check should be performed by a properly certified pilot.
7. When necessary, waterproof the light base to aircraft. Apply single part silicone (RTV) or equivalent around any open area where water could get in.
8. If required, update aircraft records utilizing FAA Field Approval (Form 337) or equivalent.



Aviation



QTY	QTY	ITEM	PART NUMBER	DESCRIPTION
	*		01-0790325-01	ASS'Y, GREEN LED FINAL MODEL 9032501
*			01-0790325-02	ASS'Y, RED LED FINAL MODEL 9032502
1	1	1	11-390383-100	BASE, WINGTIP LT BLK POWDER CT
1	1	2	14-0050503-250	SCREW, 6-32 x 3/16 PPHMS
1	-	3	_____	ASS'Y, RED LED LIGHTHEAD
-	1	4	_____	ASS'Y, GREEN LED LIGHTHEAD
4	4	5	14-0050508-270	SCREW, 6-32 5/16 PFHMS CSNK
1	1	6	38-0290393-00	GASKET, MODEL 90325
4	4	7	14-082116-0600	SCREW, 8-32 3/8 PFHMS CSNK
1	1	8	19-150925-000	FORWARD RETAINER
1	1	9	68-3990382A30	LENS, PLASTIC CLEAR HARDCOATED
1	1	10	19-150926-000	TAIL RETAINER

