

WHELEN[®]

ENGINEERING COMPANY INC.

Route 145, Winthrop Road,
 Chester, Connecticut 06412
 Phone: (860) 526-9504
 Fax: (860) 526-2009
 Internet: www.whelen.com
 Sales/Service e-mail: aviation@whelen.com

Installation Guide: Model 90277()-series Models 9027701, 9027702 P/N:01-0790277-01, 01-0790277-02 LED Forward Position Light Assembly



TSO-C30c
 TYPES I & II
 APPROVED



The conditions and tests required for TSO approval of this article are minimum performance standards. It is the responsibility of those installing this article either on or within a specific type or class of aircraft to determine that the aircraft installation conditions are within the TSO standards. TSO articles must have separate approval for installation in aircraft. The article may be installed only if performed under 14 CFR part 43 or the applicable airworthiness requirements.

OPERATING INSTRUCTIONS:

Operational Voltage:22-30 VDC (28 VDC nom)

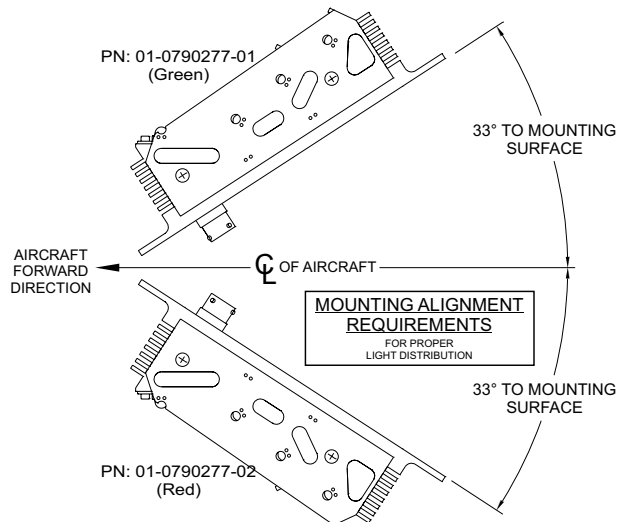
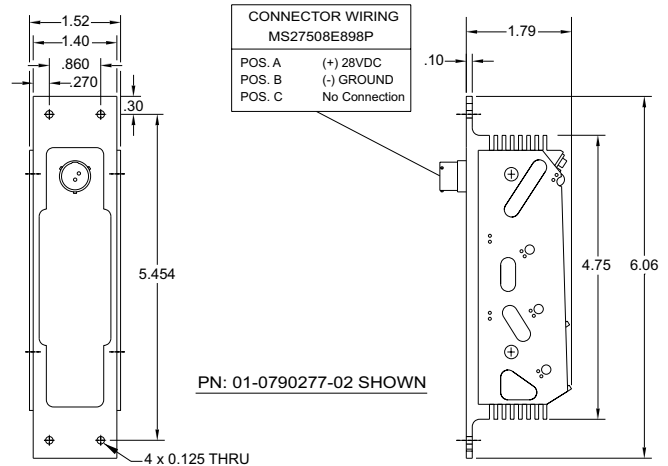
Average Input Current: . . .0.6 Amps

EQUIPMENT LIMITATIONS: An approved forward position lighting system consists of two lights, one located on each wingtip. The lights must be installed under a protective lens. The aircraft structure must supply rear cut off for lights.

CONTINUED AIRWORTHINESS: The 90277 series LED wingtip position light assembly is designed with 12 LED's. If any one LED fails, the unit must be repaired or replaced.

INSTALLATION PROCEDURES: The following information is to assist in the installation of a Whelen LED Forward Position Light System.

1. Choose the appropriate 90277() series replacement light assembly.
2. The installation procedure described in the following text will be confined to a single light installation, but is identical for multiple light installations.
3. Remove the old light, locate and rotate the connector 1/4 turn counter-clockwise to disconnect. Plug the connector into the new light and rotate 1/4 turn clockwise to lock in place.
4. Position the base of the new light assembly onto the mounting surface. Install using the existing hardware.
5. Check all avionics systems for interference from the installation.
6. A flight check should be performed by a properly certified pilot.
7. Update aircraft records, complete Form 337 and obtain FAA field approval for installation.



Aviation