



WHELEN AEROSPACE TECHNOLOGIES

Phone: (860) 526-9504

Fax: (860) 526-2009

Internet: www.flyWAT.com

Sales/Service e-mail: info@flyWAT.com

**Installation Guide / ICA:  
Models 7096600, 7096601, 7096602  
P/N:01-0770966-00, 01-0770966-01,  
01-0770966-02  
LED Tail Position Light Assembly**

*TSO-C96a  
CLASS III  
APPROVED*

*The conditions and tests required for TSO approval of this article are minimum performance standards. Those installing this article either on or within a specific type or class of aircraft must determine that the aircraft installation conditions are within the TSO standards which include any accepted integrated non-TSO functions. TSO articles and any accepted integrated non-TSO function(s) must have separate approval for installation in an aircraft. The article may be installed only according to 14 CFR part 43 or the applicable airworthiness requirements.*

**OPERATING INSTRUCTIONS:**

**Nominal Voltage:** . . . . . 28 VDC  
**Operational Voltages:** . . . . . 22 - 30 VDC  
**Input Current:** . . . . . 0.16 Amps

**EQUIPMENT LIMITATIONS:** An approved tail position light assembly should be mounted as far aft on the aircraft as possible on a thermally conductive surface. The unit must be mounted parallel to the vertical and horizontal centerlines of the aircraft to project the patterns properly.

Certain types of installations may require additional testing.

**AIRWORTHINESS LIMITATIONS:** The Airworthiness Limitations section is FAA approved and specifies inspections and other maintenance required under §43.16 and §91.403 of the Federal Aviation Regulations, unless an alternative program has been FAA approved.

No airworthiness limitations are associated with the installation of the LED tail position light.

**CONTINUED AIRWORTHINESS:** The LED tail position lights are designed with 6 LED's. If any one LED fails, the unit must be repaired or replaced.

**Note:** To reduce eye strain, use an optical filter such as dark glasses or a blue covering dome during LED inspection.

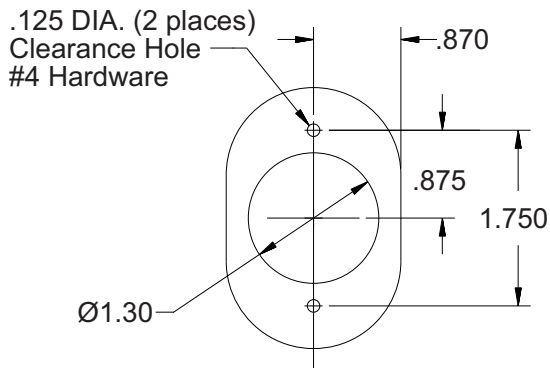
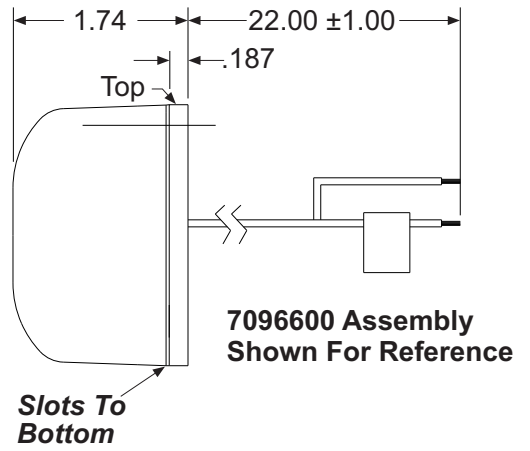
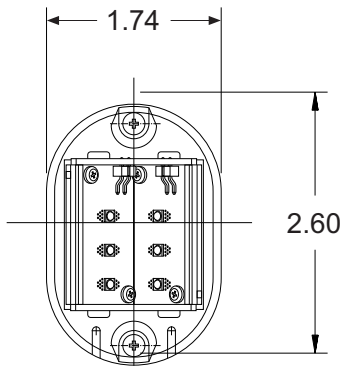
Inspect the lens. Replace if there is excessive surface deterioration, discoloration, crazing or cracking. For additional lens maintenance detail, see SAE ARP5637.

**PERIODIC INSPECTIONS:** An annual inspection shall be performed unless the OEM specifies a shorter interval.

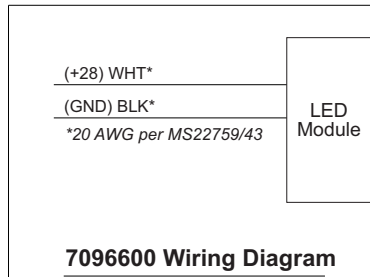
**INSTALLATION PROCEDURES:** The following information provides guidelines for the installation of the WAT LED tail position light. Please refer to the OEM manual for your aircraft for specific removal and installation instructions.

1. Remove all electrical power or disable the applicable circuit breakers.
2. Using the mounting detail provided, prepare the aircraft for means to secure the LED light assembly.
3. Connect the light inputs according to the chart shown. Connect the power lead to an appropriately sized breaker. Connections to be in accordance with FAA approved methods.
4. Carefully remove and retain the two screws, lens and gasket from the assembly. **CAUTION!** Do not touch the LED with either fingers or sharp objects, as this could soil or damage the LEDs and effect the optical performance of the light.
5. Using the appropriate hardware install the light assembly to the aircraft. Note the "TOP" marking on the unit. Insure that all leads are clear of any obstructions and secured as required.
6. Reinstall the gasket and lens. Reinsert the screws and tighten firmly. **Note:** Visually confirm that the lens and gasket are properly seated.
7. If waterproofing to the aircraft is required, apply aviation approved single part silicone (RTV) or equivalent around the periphery with caution. Do not block the drain slots. RTV should never be used between the rear surface of the light assembly and its mounting surface.
8. Enable applicable circuit breakers, place lighting switch in the ON position and verify proper operation of the Whelen light.
9. Check all avionics for interference from this installation.
10. A flight check should be performed by a properly certified pilot.
11. If required, update aircraft records utilizing FAA Field Approval (Form 337) or equivalent.

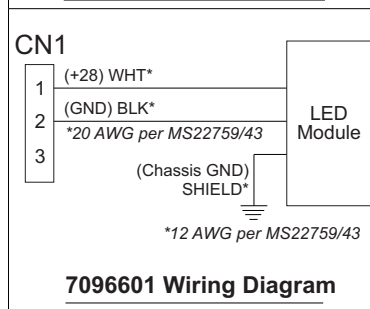
**Aviation**



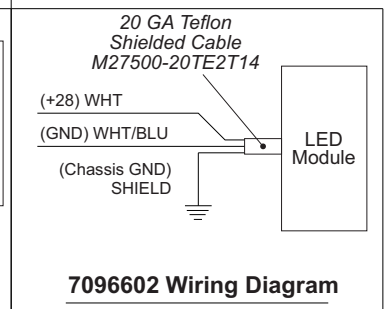
Recommended Mounting Hole Pattern



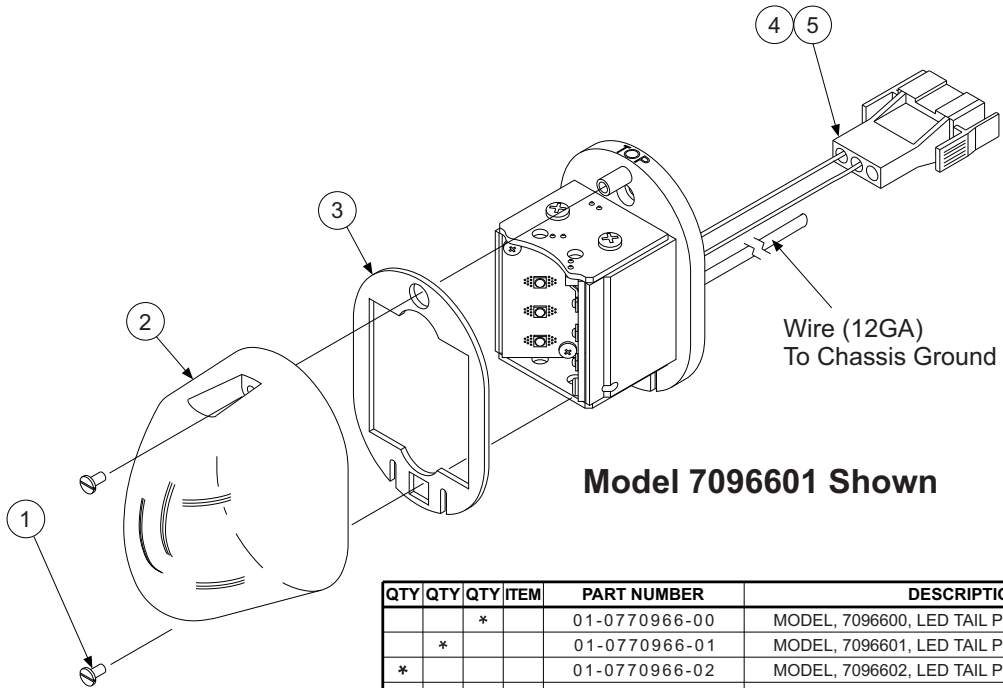
7096600 Wiring Diagram



7096601 Wiring Diagram



7096602 Wiring Diagram



Model 7096601 Shown

QTY	QTY	QTY	ITEM	PART NUMBER	DESCRIPTION
		*		01-0770966-00	MODEL, 7096600, LED TAIL POSITION LIGHT
		*		01-0770966-01	MODEL, 7096601, LED TAIL POSITION LIGHT
		*		01-0770966-02	MODEL, 7096602, LED TAIL POSITION LIGHT
2	2	2	1		4-40 x 1/8 SLOT FILSKHD, with NYLON PATCH (RED)
1	1	1	2	68-3970804A30	LENS, CLEAR, HARD COATED
1	1	1	3	38-0250855-00	GASKET, LENS
-	2	-	4		AMP PIN #66103-4, 20-24 AWG
-	1	-	5		AMP 3-PIN CONN. #207359-1