

## Weatherproof LED Driver Series 24V Constant Voltage DC Power Supplies

**Product reference numbers: HCP-52241, HCP-52251, HCP-52261, HCP-52271.**

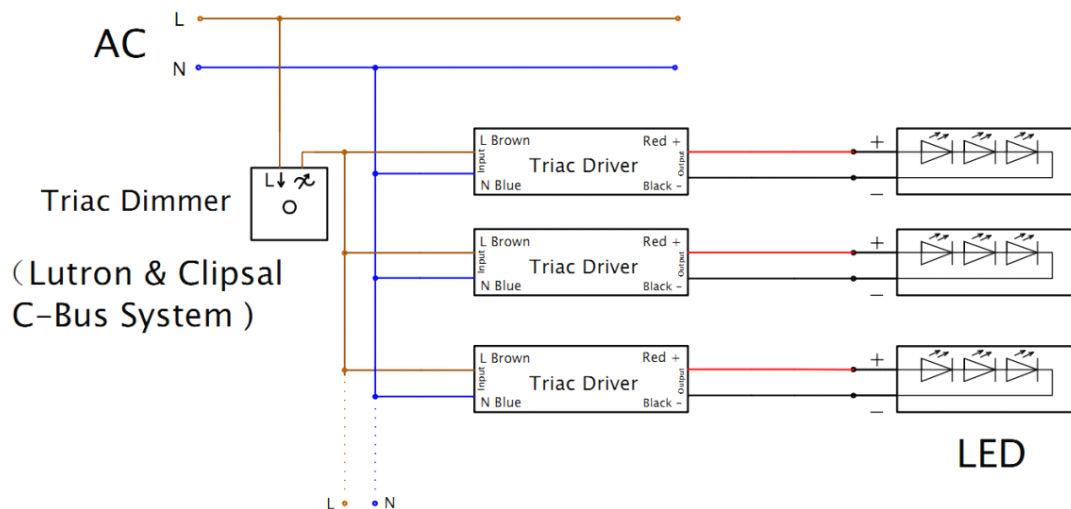
These electronic LED power supplies in power classes 100W, 150W, 200W, 300W are designed for operation with LED lamps with a constant voltage of 24Vdc and suitable for use indoor and outdoor. The power supplies are protected against over load, over voltage, over temperature and short circuit.

### Technical Specifications;

Input voltage:	170-264Vac / 47-63Hz // 240-374Vdc
Output voltage:	24Vdc
Output wattage:	100W/150W/200W/275W/300W
Maximum load:	80%
Protection / safety class:	IP66
Ambient temperature (ta):	- 25°C ~ +50°C
Case temperature (tc):	max. 75°C

**The electronic converter can only be used with LED lamps.**

- Connect the LED lamps with correct polarity.
- If the electronic LED converter is used for purposes other than originally intended or it is connected in the wrong way, no liability can be taken over for possible damages.
- The converter must only be connected by a fully qualified electrician.
- Observe all safety regulations when assembling.
- Observe all information on converter and fixture.
- The installer is responsible for proper installation according to safety regulations. The primary and secondary cables have to be selected considering type and wire gauge. Load, cable length, voltage drop and terminal characteristics have to be taken into consideration.
- Disconnect the converter from the main power if its cables are damaged.
- Damaged cables must be replaced.
- Observe the safety instructions included the LED fixtures.
- Fixture and converter become hot during use, do not cover.
- The distance between the power supplies and the surfaces around must be min. 50mm.
- The power supply has connection cables on primary and secondary side. The secondary cables are multiple depending of the power class and are connected to the same potential. The load has to be divided to the connection cables equally. It is not permitted to take the complete load by one single output cable.



**THESE FITTINGS MUST BE INSTALLED BY A LICENSED ELECTRICIAN**