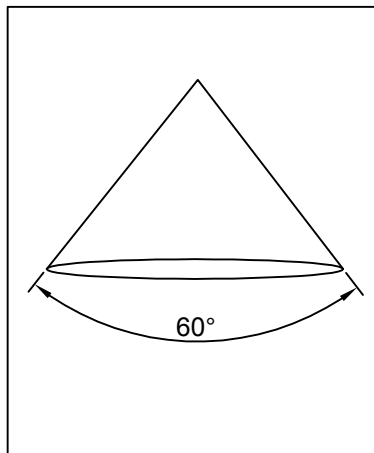
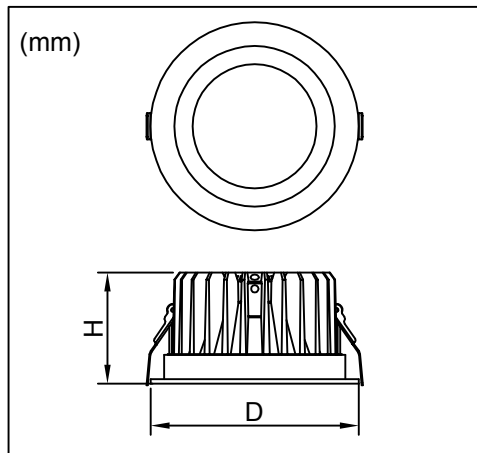


LED Downlight

Product parameter:

Model No.	Voltage	Power	CCT(K)	Size(DXH):mm	Material	IP Grade
HCP-81322112 HCP-81122112	220-240VAC	12W	3000K-5500K	Ø107x59	AL SS316+AL	IP65
HCP-81322118 HCP-81122118	220-240VAC	18W	3000K-5500K	Ø126x68	AL SS316+AL	IP65
HCP-81322128 HCP-81122128	220-240VAC	28W	3000K-5500K	Ø163x78	AL SS316+AL	IP65
HCP-81322138 HCP-81122138	220-240VAC	38W	3000K-5500K	Ø220x88	AL SS316+AL	IP65



Symbols

IP65 Dust Tight, zero ingress of dust permitted. Protected against jets of water. Limited ingress permitted.

The WEEE symbol, indicating separate collection for WEEE-Waste of electrical and electronic equipment, consists of the cross-out wheeled bin.

II class of protection (SELV).

RoHS All the material used is up to standard.

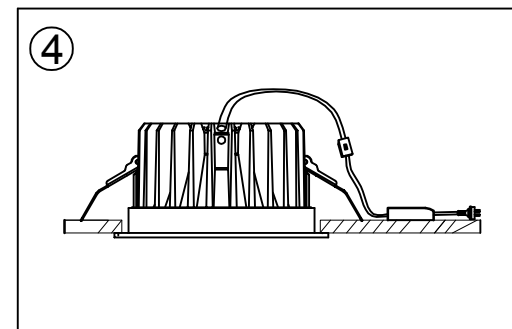
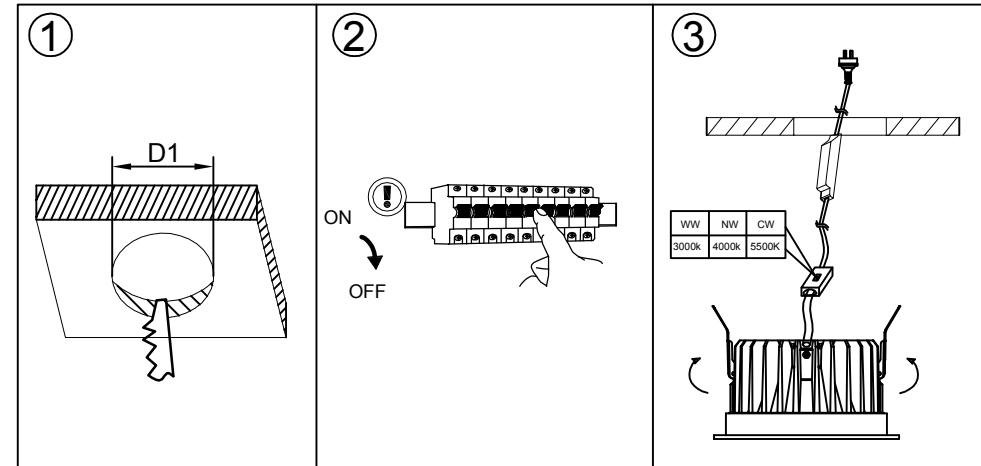
LED LED light source.

SAFETY INSTRUCTIONS

Read these instructions carefully before commencing installation and retain for future reference. The luminaire should be installed by a licensed electrician and in accordance with local regulations. Make sure that the power is off before installation or maintenance. Install as described below.



Installation Instructions



Model No.	D1
HCP-81322112 HCP-81122112	Ø94
HCP-81322118 HCP-81122118	Ø113
HCP-81322128 HCP-81122128	Ø150
HCP-81322138 HCP-81122138	Ø205

1. This Havit Commercial product must be connected to the supplied driver, connection of LED to any other driver than the supplied one will void the warranty.
2. Do not look directly at the light - this may cause damage to eye sight.
3. Please note the correct cut out dimensions before beginning installation.
4. Ensure the LED luminaire is connected correctly before switching power on.
5. Stainless steel surfaces should be maintained regularly - see Havit Lighting stainless steel maintenance instructions.
6. If this product is altered in any way the manufacturer warranty will be void.
7. The manufacturer is free to change the design, specifications and instructions for assembly.