

# HCP-91305 Recessed Slimline LED Exit Light



**PLEASE READ THESE INSTRUCTIONS CAREFULLY BEFORE  
INSTALLATION. PLEASE RETAIN INSTRUCTIONS FOR FUTURE  
REFERENCE.**

## Important:

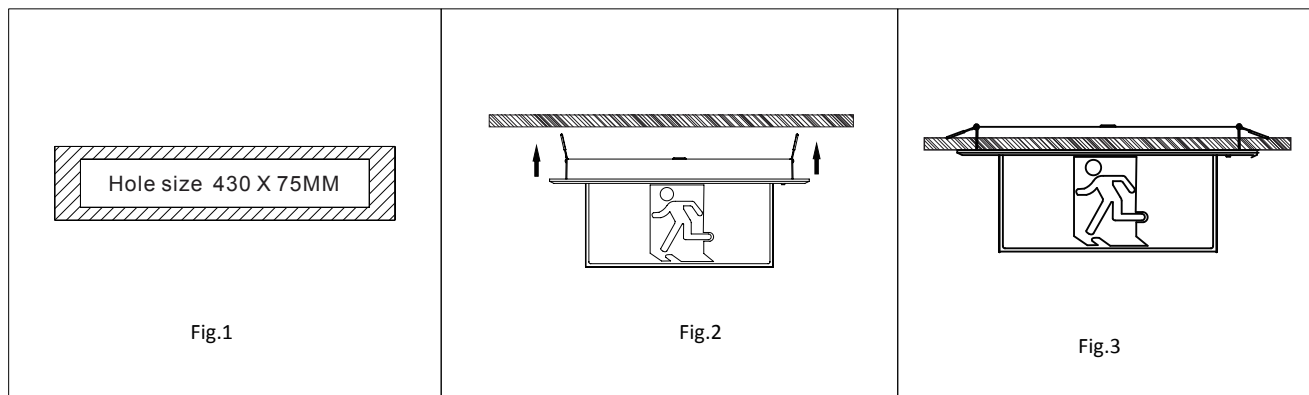
It is illegal for anyone, except for a licensed electrician to install or maintain this product. Before installation, ensure that the electricity supply has been switched off and isolated. Installation must be carried out in accordance with the relevant Australian and International Standards.

## Specification:

Operating Supply	: 220-240V / 50-60Hz
Operating Mode	: Maintained and Non-maintained Switchable
Operating System	: Self-Testing
Battery	: LiFePo4
Compliance	: AS 2293
Viewing	: 24m
Mounting	: Ceiling /Wall Mount, Suspended from Ceiling

## Installation:

Cut a rectangle hole (see Fig 1).  
Connect the permanent live power to fitting.  
Hold the springs on the side upwards to push through the hole  
The fitting is installed.



## Emergency Swap Function:

When permanent power off, the light switch to battery power supply.  
Press and hold the Test button for 1 seconds, the light exit emergency mode and goes to standby mode. Maintain and Non-maintain switchable: There is a SW2 switch on the internal PCB board.

## Self-Testing Function:

### 1. LED indicator light functions:

Different lights under different system status (Only use one Red/Green LED, Yellow is shown when red and green are both on.)

**Must be installed by a licensed electrician**

### Contact Details:

8/133 Beauchamp Road  
Matraville NSW 2036  
Australia

Tel: 02 9381 8383  
Email: sales@havitcommercial.com.au  
Web: www.havitcommercial.com.au

### Warranty Terms & Conditions\*



# HCP-91305

## Recessed Slimline LED Exit Light



1	Normal constant 240V	Green is on when fully charged
2	Normal constant 240v	Red is on when NOT fully charged
3	Waiting for self-testing	Red is flashing slowly in 1Hz. (1 second)
4	Self-testing is going on	Green is flashing slowly in 1Hz. (1 second)
5	Quick start Self-testing	Green is flashing fast in 4Hz. (0.25 second)
6	Self-testing Pass (90min)	Red and Green flash slowly one after the other in 0.5 Hz (Each is on for 2 seconds)
7	Self-testing Fail	Yellow is always on
8	Battery Fault	Yellow is flashing slowly in 1Hz
9	Light Source Fault	Yellow is flashing quickly in 4Hz

### 2. Imitation of Power-off status:

Press test button to trigger off emergency mode.

Battery kicks in and start supplies power to the light. Release test button and return to normal.

### 3. Manual Self-testing functions:

Press test button 5 times (Each within 4 seconds), the light goes into Self-testing mode.

When the battery is Not fully charged, the Red indicator light flashes slowly.

When the battery is fully charged, the Green light flashes slowly and goes to battery discharge and emergency mode.

Self-testing goes on until the battery is fully discharged, it then goes back to normal.

If the discharge period is less than 90 minutes, the Yellow indicator light is always on.

If the discharge period is more than 90 minutes, the Red and Green flash slowly one after the other.

The Self-testing result keeps showing for 5 days. Press test button once and quickly to clear the self-testing result and goes back to normal.

If no one clears the result after 5 days, it goes back to normal by itself.

Press the test button again, it will show the last test result for 1mins.

Press the test button for 2 seconds during the self-testing period anytime to exit self-testing, and it won't show any results because self-testing is not completed.

### 4. Synchronising and Re-setting test date function:

Turn off and on the main power 4 times (Each within 4 seconds). The annual inspection time for all the lights on the same circuit will be reset and go into Self-testing mode at same No.182 days automatically. The red indicator or green indicator (depends on the charging status) will flash quickly for 5mins.

### 5. Automatic Self-testing functions:

The light goes into Self-testing mode at No.182 days automatically. The light performs all the function and displays as described in Point 3. When everything goes normal without any faults, it automatically goes back to normal 240v status after battery over-discharge protection kicks-in.

### 6. Group Manual Self-testing function:

Turn off and on the main power 6 times (Each within 4 seconds). All the lights on the same circuit start Self-testing. It is the same methods and philosophies as point 3.

### 7. Special notes:

a). Under the automatic self-testing mode, the light will restart counting 182 days after the battery is fully discharged and goes back to normal 240v operation. Manual self-testing and Group self-testing does NOT affect recounting 182 days when manually exit during the testing.

b). All self-testing functions needs the battery to be fully charged. When the battery is not full, the red flashes to wait for self-testing.

**Must be installed by a licensed electrician**

#### Contact Details:

8/133 Beauchamp Road  
Matraville NSW 2036  
Australia

Tel: 02 9381 8383  
Email: sales@havitcommercial.com.au  
Web: www.havitcommercial.com.au

#### Warranty Terms & Conditions\*



# HCP-91305

## Recessed Slimline LED Exit Light



### 8. Test Button Function:

1	Under Normal 240v	Press and hold to enter into emergency mode, release to return normal. Manually press the button to clear the self-testing results. Manually press the button 5 times to trigger off Self-testing.
2	Under emergency mode	Press and hold for 1 seconds to exit emergency discharge. (Easy to test in factory, no need to unplug and plug battery on the PCB board)
3	Under Self-testing	Press and hold for 1 seconds to exit emergency discharge.

### Note:

For first usage, power ON the unit for 24 hours to fully charge the battery. Interrupting the mains supply will discharge the battery.

### Warranty:

Products have 3 years (from date of purchase) replacement warranty including battery.

Products have to be connected to permanent live power otherwise warranty will be void.

Must be installed by licensed electrician.

This warranty does not cover loss or damage by misuse, incorrect installation, incorrect voltage or non-authorized electrical connections, adverse external conditions (such as power surges and dips, exposure to heat, corrosion etc).

Products that have been altered in any way or used other than in accordance with instruction are not covered by this warranty.

**Must be installed by a licensed electrician**

#### Contact Details:

8/133 Beauchamp Road  
Matraville NSW 2036  
Australia

Tel: 02 9381 8383  
Email: sales@havitcommercial.com.au  
Web: www.havitcommercial.com.au

#### Warranty Terms & Conditions\*

