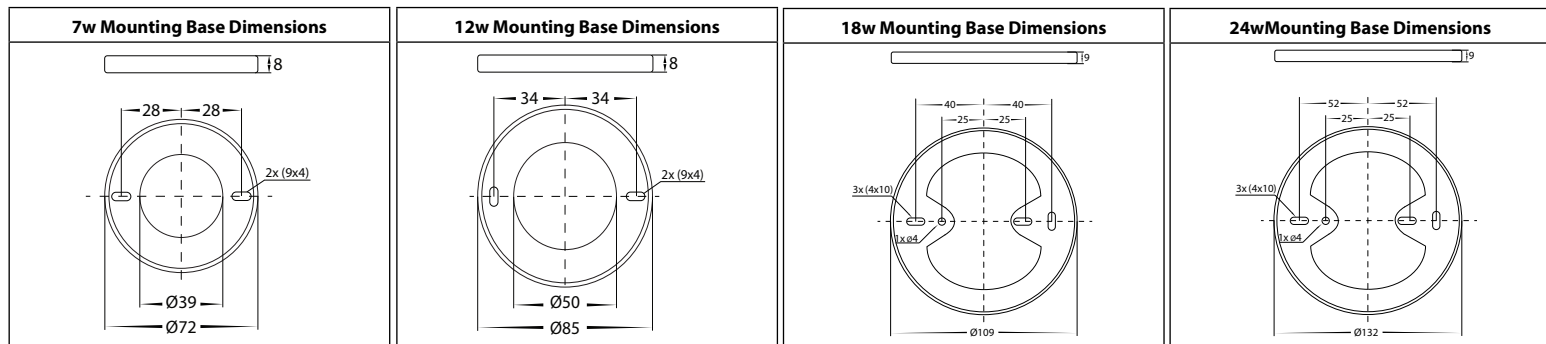
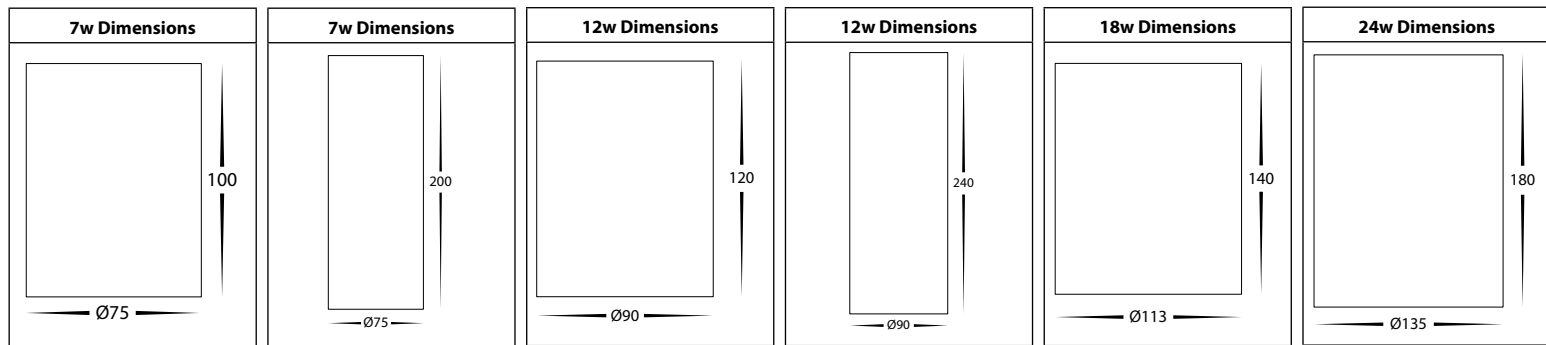


Surface Mounted Downlight Installation Instructions



Product Specifications

Model No.	HCP-8920724	HCP-8930724	HCP-8921224	HCP-8931224	HCP-8921824	HCP-8931824	HCP-8922424	HCP-8932424
	HCP-8920734	HCP-8930734	HCP-8921234	HCP-8931234				
Material	Aluminium							
Colour	Black	White	Black	White	Black	White	Black	White
IP Rating	IP54							
Input Voltage	240v							
Protection Class	1 (Requires Earth) ⚡							
Lamp Base	Built in LED							
Lamp Wattage	1x 7w		1x 12w		1x 18w		1x 24w	
Colour Temp	5-Colour - 2700k, 3000k, 4000k, 5000k, 5700k		5-Colour - 2700k, 3000k, 4000k, 5000k, 5700k		5-Colour - 2700k, 3000k, 4000k, 5000k, 5700k		5-Colour - 2700k, 3000k, 4000k, 5000k, 5700k	
Lumens	499lm, 512lm, 558lm, 593lm, 601lm		688lm, 840lm, 916lm, 931lm, 1004lm		1371lm, 1410lm, 1518lm, 1600lm, 1617lm		1554lm, 1638lm, 1796lm, 1893lm, 1968lm	
CRI	> 90							
Wiring	Parallel							
Dimmable	Yes - Dali Dimmable							
Warranty	5 Years Replacement*							



Important Safety Issues:

- This product must be installed by a qualified electrician according to AS/NZS 3000.
- Ensure all electrical mains are disconnected before any installation.
- Modification of this product will void any warranty.
- Havit Commercial does not take responsibility for wrong installation, incorrect use, or use of installation material that does not belong to the system.
- Aluminium and 304SS fittings must not be installed within 5km of any salt water environments.
- All o-rings and seals must be in place correctly to maintain warranty
- This form may be updated at any time due to product improvements, please check online installation form for most current version.

Steps for Installation:

1. Make sure that the electrical circuit is free of voltage (master switch off)
2. Remove base plate by twisting anti clockwise.
3. Unplug fitting from driver and set fitting aside
4. Install base plate in desired location using appropriate screws for application. If fitting is installed in an outdoor environment, Seal must stay in place to keep fittings IP Rating.
5. Connect the cable: Use wire with earth, connect earth first then positive and then neutral
6. Connect Dali Cable to Dali System
7. Reconnect plug from fitting to driver.
8. Fitting is preset to 3000k, To change slide switch inside fitting to desired colour temperature
9. Reattach fitting to base plate by twisting clockwise
10. All connections must be carried out carefully, inspect all contacts before switching back on the electric circuit.

Steps for Installation of inserts:

1. Inserts are held in by magnets, To remove pull on inside of insert and remove.
2. Insert honey comb into new insert.
3. Push new insert into fitting allowing magnets to stick to fitting.

Must be installed by a licensed electrician

Contact Details:

8/133 Beauchamp Road
Matrville NSW 2036
Australia
Tel: 02 9381 8383
Email: sales@havitcommercial.com.au
Web: www.havitcommercial.com.au

Warranty Terms & Conditions*



www.havitcommercial.com.au

