

# 18W DALI SURFACE MOUNTED LED DOWNLIGHT



## 18W DALI DIMMABLE DOWNLIGHTS

|                   |  |
|-------------------|--|
| MATERIAL          | ALUMINIUM                                  |
| COLOUR / FINISH   | MATT BLACK OR MATT WHITE                   |
| COLOUR TEMP       | 2700K   3000K   4000K   5000K   5700K      |
| LUMEN OUTPUT      | 1371LM   1410LM   1518LM   1600LM   1617LM |
| INSTALLATION TYPE | CEILING - SURFACE MOUNTED                  |
| INPUT VOLTAGE     | 240V AC                                    |
| PROTECTION CLASS  | 1 (EARTH REQUIRED)                         |
| BUILT IN LED      | 18W LED                                    |
| DIMMING           | DALI DIMMABLE                              |
| CRI               | RA>90                                      |
| BEAM ANGLE        | 60°  |
| IP RATING         | IP54                                       |
| IK RATING         | IK08                                       |
| WARRANTY          | 5 YEARS REPLACEMENT                        |

### ALUMINIUM BLACK

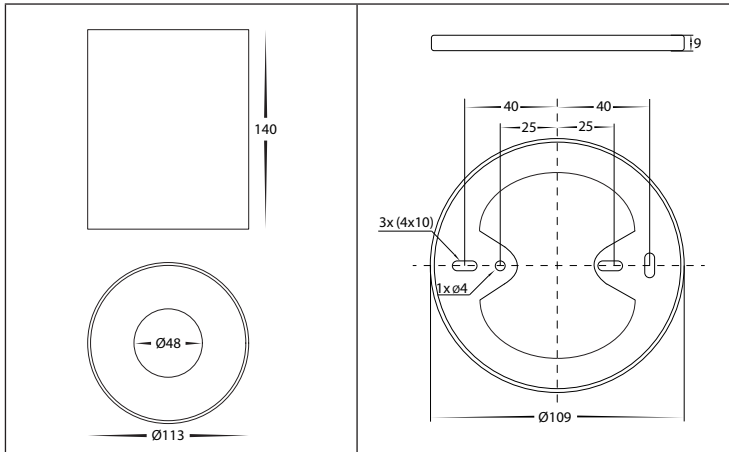
|  |             |         |   |  |
|--|-------------|---------|---|--|
|  | HCP-8921824 | 18W LED | 2700K<br>3000K<br>4000K<br>5000K<br>5700K | 1371LM<br>1410LM<br>1518LM<br>1600LM<br>1617LM |
|--|-------------|---------|---|--|

### ALUMINIUM WHITE

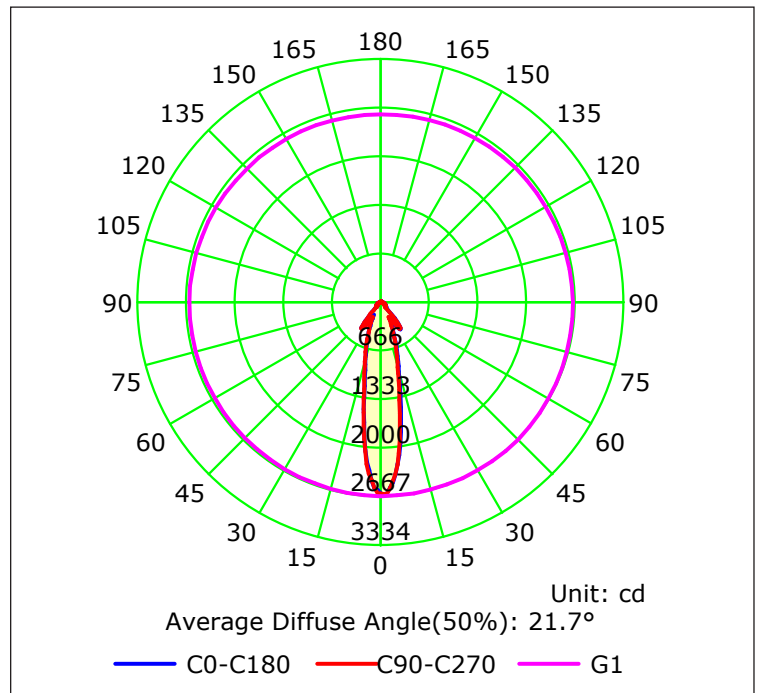
|  |             |         |   |  |
|--|-------------|---------|---|--|
|  | HCP-8931824 | 18W LED | 2700K<br>3000K<br>4000K<br>5000K<br>5700K | 1371LM<br>1410LM<br>1518LM<br>1600LM<br>1617LM |
|--|-------------|---------|---|--|

### ACCESSORIES

|  |              |                                  |
|--|--------------|----------------------------------|
|  | HCP-89018-GR | GOLD INSERT TO SUIT 18W MODELS   |
|  | HCP-89018-BR | BLACK INSERT TO SUIT 18W MODELS  |
|  | HCP-89018-CR | CHROME INSERT TO SUIT 18W MODELS |



### PHOTOMETRICS



Web: [www.havitcommercial.com.au](http://www.havitcommercial.com.au)  
 Email: [sales@havitcommercial.com.au](mailto:sales@havitcommercial.com.au)  
 Phone: 02 9381 8383  
 ADDRESS: 8/133 Beauchamp Road, Matraville, N.S.W., 2036



WARRANTY TERMS & CONDITIONS



WEBSITE