

RGB LED STRIP REMOTE CONTROLLER

RGB LED STRIP REMOTE

MATERIAL	PLASTIC
COLOUR / FINISH	BLACK
NUMBER OF ZONES	1
LED STRIP TYPE	RGB
INPUT VOLTAGE	3V DC (BATTERY CR2032)
WIRELESS FREQUENCY	2.4GHZ
DIMMING	YES
PROTECTION	OVERLOAD & SHORT CIRCUIT
WORKING TEMP	-30°C - 55°C
WEIGHT	85G
IP RATING	IP20
WARRANTY	5 YEARS REPLACEMENT

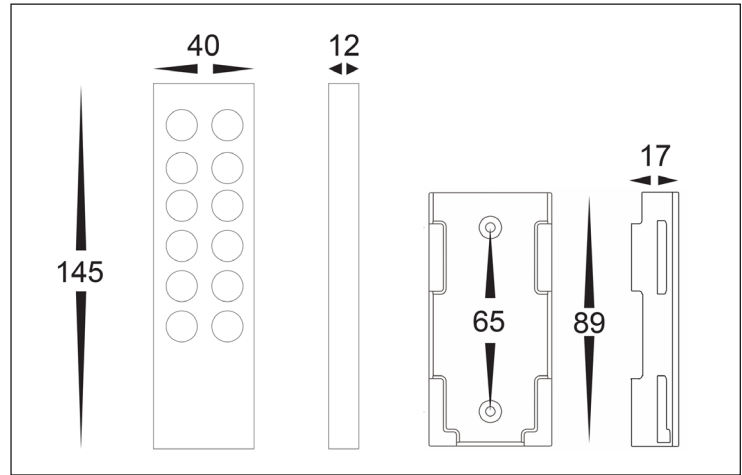


LED STRIP CONTROLLER

HCP-78230

COMPATIBLE RECEIVER

HCP-76241



SAMPLE WIRING DIAGRAM

