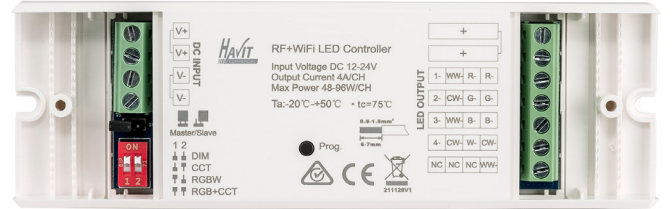
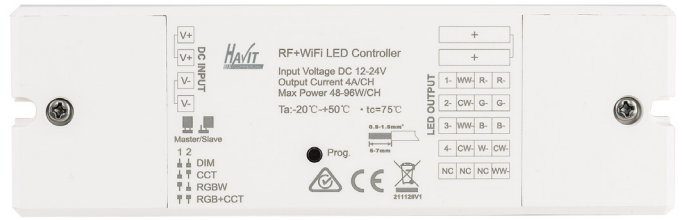


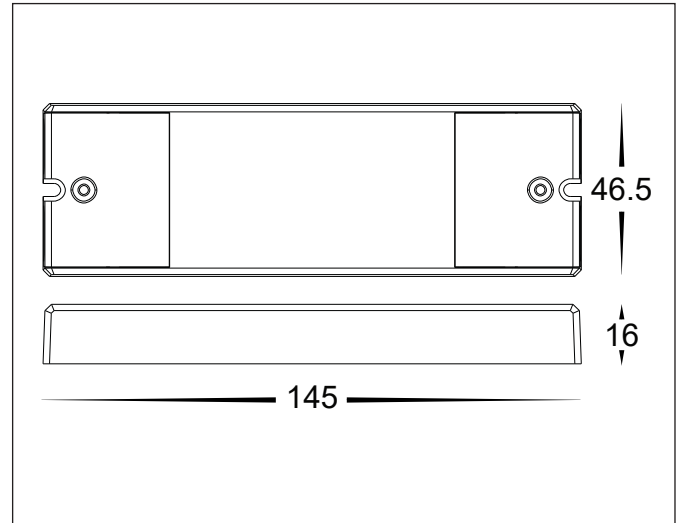
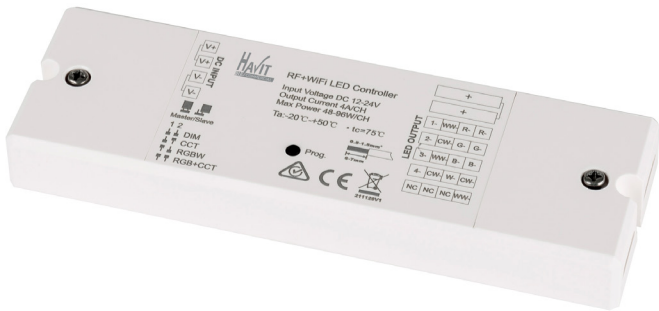
WIFI + RF LED STRIP RECEIVER

MATERIAL	PLASTIC
COLOUR / FINISH	WHITE
LED STRIP TYPE	ALL LED STRIP
NUMBER OF CHANNELS	5CH X 4A
INPUT VOLTAGE	12V DC or 24V DC
DIMMING	YES
LOAD	12V MAX 240W 24V MAX 480W
IP RATING	IP20
FREQUENCY	2.4Ghz
WARRANTY	5 YEARS REPLACEMENT

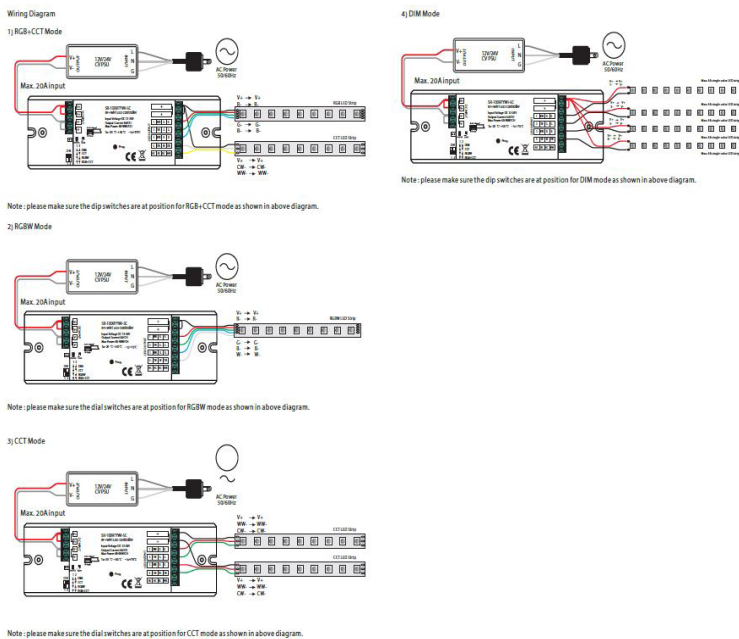


PRODUCT ORDERING

HCP-77243



WIRING DIAGRAM



COMPATIBLE REMOTES



HCP-78212



HCP-78243



HCP-78252

