

# RGBW LED STRIP TOUCH PANEL CONTROLLER

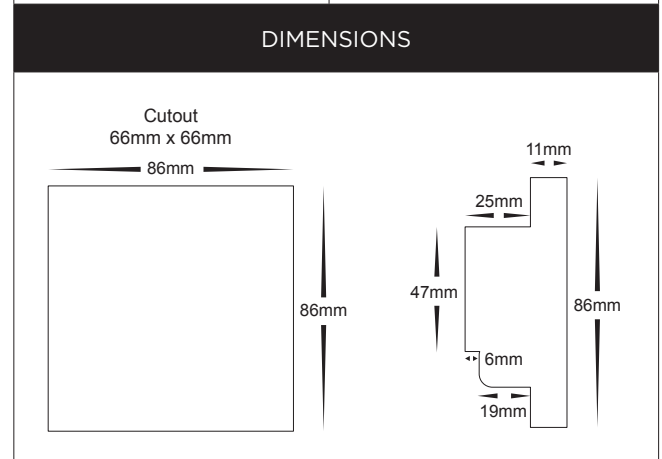


## PRODUCT ORDERING

LED STRIP CONTROLLER	
	<b>HCP-75233</b>
COMPATIBLE RECEIVER	COMPATIBLE DMX DECODER
<b>HCP-76242</b> 	<b>HCP-73231</b> 

## PRODUCT DATA

RGBW TOUCH PANEL	
MATERIAL	PLASTIC + GLASS
COLOUR/FINISH	WHITE
LED STRIP TYPE	RGBW
NO. OF ZONES	4
INPUT VOLTAGE	240V AC
OUTPUT SIGNAL	2.4GHZ + DMX512
DIMMING	YES
DIMMING RANGE	5% - 100%
PROTECTION	OVERLOAD & SHORT CIRCUIT
WORKING TEMP	-30°C - 55°C
WEIGHT	165G
IP RATING	IP20



## SAMPLE WIRING DIAGRAM

