

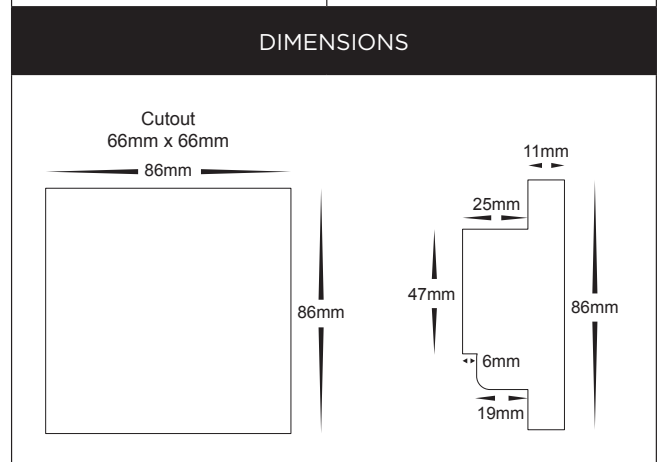


PRODUCT ORDERING

LED STRIP CONTROLLER	
	HCP-75212
COMPATIBLE REEIVER	COMPATIBLE DMX DECODER
HCP-76241	HCP-73211

PRODUCT DATA

SINGLE COLOUR TOUCH PANEL	
MATERIAL	PLASTIC + GLASS
COLOUR/FINISH	WHITE
LED STRIP TYPE	SINGLE COLOUR
NO. OF CHANNELS	N/A
INPUT VOLTAGE	240V AC
OUTPUT SIGNAL	2.4GHZ + DMX512
DIMMING	YES
DIMMING RANGE	5% - 100%
PROTECTION	OVERLOAD & SHORT CIRCUIT
WORKING TEMP	-30°C - 55°C
WEIGHT	165G



SAMPLE WIRING DIAGRAM

