


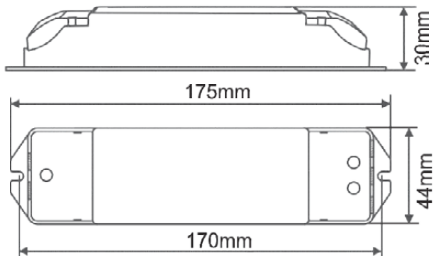
SINGLE CHANNEL DMX LED STRIP DECODER



PRODUCT DATA

SINGLE CHANNEL DMX	
MATERIAL	PLASTIC
COLOUR/FINISH	WHITE
LED STRIP TYPE	SINGLE COLOUR
NO. OF CHANNELS	1
INPUT VOLTAGE	24V DC
OUTPUT POWER	288W
DIMMING	DMX 512 DIMMABLE
DIMMING RANGE	0-100%
PROTECTION	OVERLOAD & SHORT CIRCUIT
WORKING TEMP	-30°C - 55°C
WEIGHT	160G

PRODUCT ORDERING

LED STRIP CONTROLLER		
	HCP-73211	288W
DIMENSIONS		
		

SAMPLE WIRING DIAGRAM

