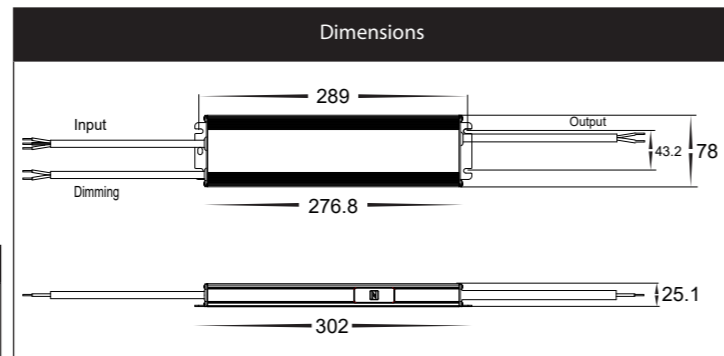


# 300w Dali + Push Dim Constant Voltage IP66 LED Driver



## Product Specifications

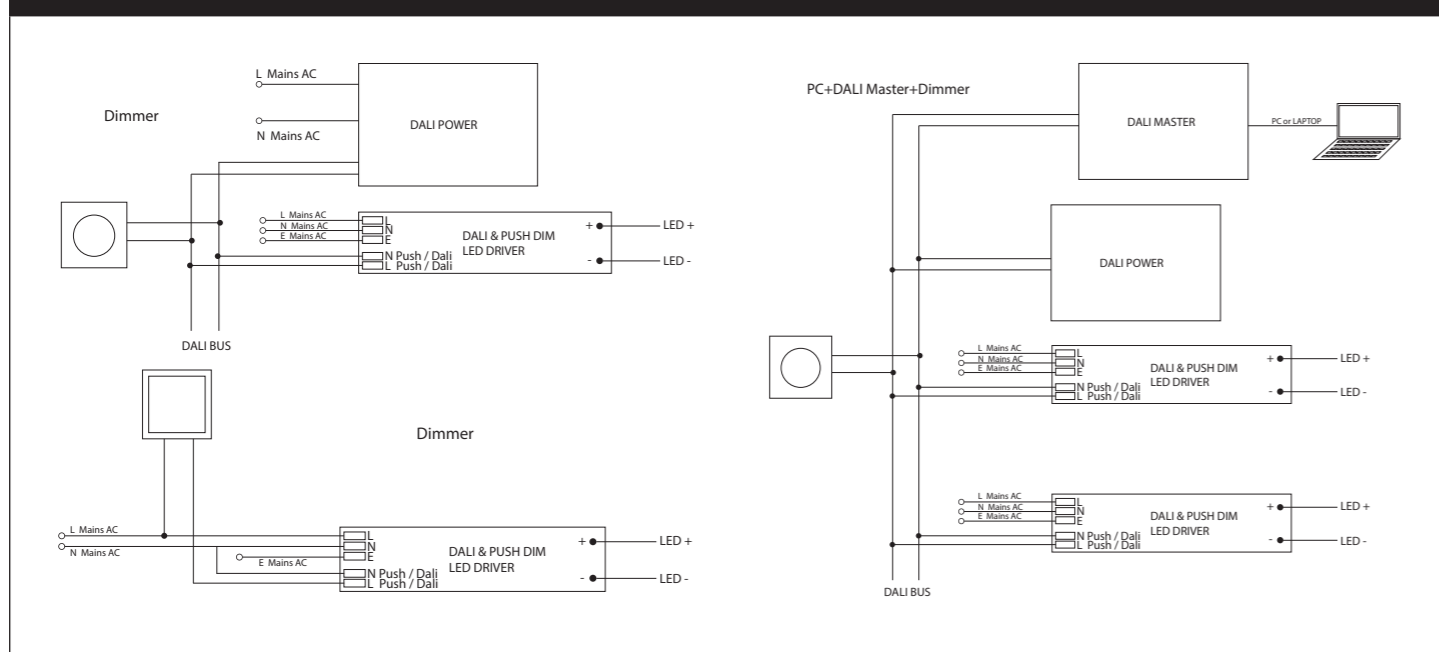
Material	Aluminium
Colour	Anodised Grey
IP Rating	IP66
Input Voltage	100 - 240v AC
Output Voltage	24v DC Constant Voltage
Max Wattage	300w
Recommended Max Wattage	240w
Protection Class	Class 1 (Earth Required)
Dimming Methods	Dali or Push Dim
Dimming Range	5% - 100%
Protections	Short Circuit, Overload, Over Temperature.
Warranty	5 Years Replacement*



## Product Ordering

Part Number	Output Voltage	Barcode
<b>HCP-522731</b>	24v DC Constant Voltage	9350418081902

## Sample Wiring Diagrams



Part Number	HCP-522731	
<b>Output</b>	DC Voltage	24v DC (24-26V Adjust by NFC)
	Voltage Tolerance	± 0.2V
	Rated Current	12.5A
	Rated Power	300W
<b>Input</b>	Load Regulation	± 2%
	Standby Power Consumption	≤ 0.5W
	Voltage Range	100 277V AC
	Frequency Range	47 - 63Hz
	Power Factor (TYP) @ Full Load	PF≥0.98 @ 120V AC   PF≥0.95 @ 230V AC   PF≥ 0.90 @ 277V AC (Full Loading)
	THD(Typ.) @ Full Load	≤10% @ 120V AC   ≤ 10% @ 230V AC   ≤15% @ 277V AC
	Efficiency(Typ.)@ Full Load	88% @ 120V AC   90% @ 230V AC   90% @ 277V AC
	AC Current (Max)	3.5A
	Inrush Current (TYP)	60A, 510us@50% Ipeak (120V AC)
		70A, 120us@50% Ipeak (230V AC)
		180A, 560us@50% Ipeak (277V AC)
Leakage Current	.05mA	
<b>Protections</b>	Short Circuit	Hiccup mode, Recover automatically after fault condition is removed
	Overload	≤120%, Hiccup mode, Recover automatically after fault condition is removed
	Over Temperature	Ambient Temperature Over 55°C ± 10°C, Output will turn off and recovers automatically after temperature drops.
<b>Environment</b>	Working Temp.	-40°-+60°C
	Working Humidity	20-90%RH, Non Condensing
	Storage TEMP. Humidity	-40 - +80°C, 10 - 95% RH
	TEMP. Coefficient	≤0.03%/°c (0-50°c)
<b>Safety &amp; EMC</b>	Vibration	10-500hZ, 2g 10min./1 Cycle, Period for 60min, each along X,Y,Z axes
	Safety Standards	EN61347-1
	Isolation Resistance	I/P-O/P I/P-FG O/P-FG:100MΩ/500VDC/25°C/70%RH
	EMC Emission	EN55015   EN61000-3-2 EN61000-3-3 (EU)≥50% Load & FCC Part 15 B (US)
<b>Others</b>	EMC Immunity	EN61000-4-2,3,4,5,6,11   EN61547
	Weight	0.35Kg

