

150w Dali + Push Dim Constant Voltage IP66 LED Driver



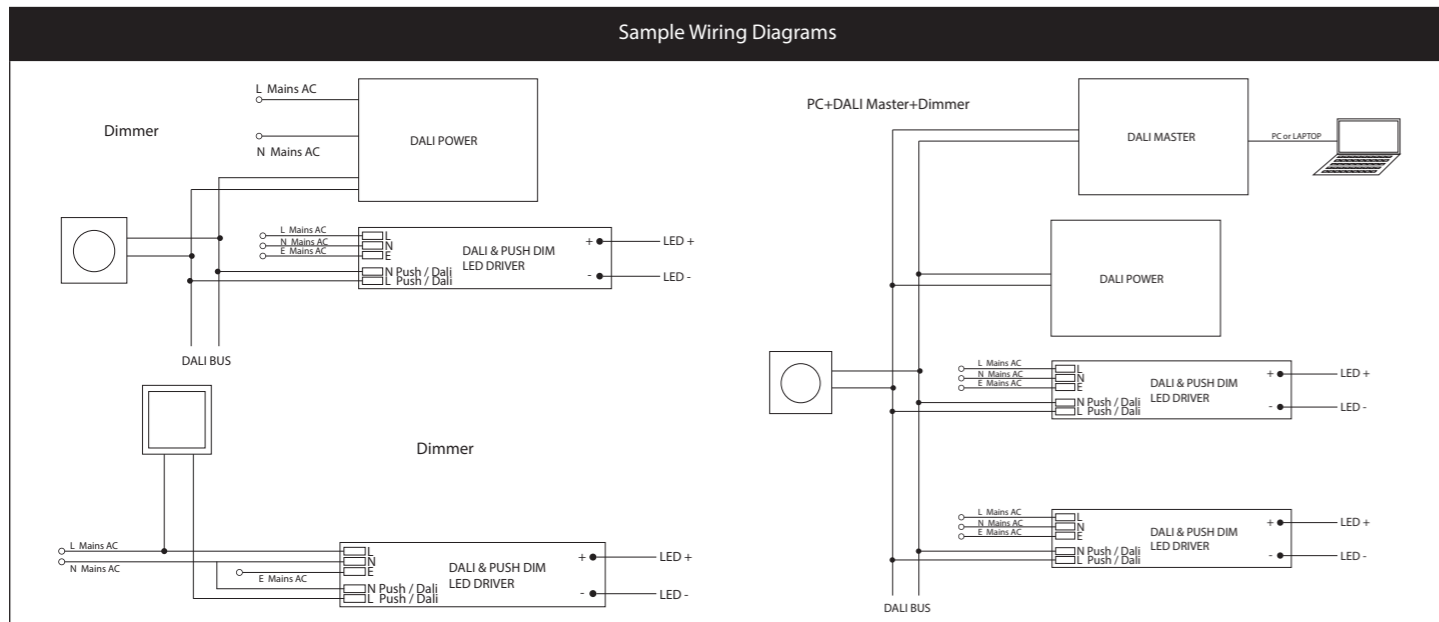
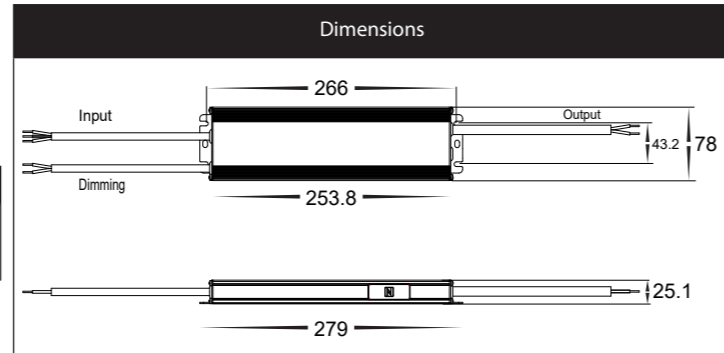
Product Specifications

Material	Aluminium
Colour	Anodised Grey
IP Rating	IP66
Input Voltage	100 - 240v AC
Output Voltage	24v DC Constant Voltage
Max Wattage	150w
Recommended Max Wattage	120w
Protection Class	Class 1 (Earth Required)
Dimming Methods	Dali or Push Dim
Dimming Range	5% - 100%
Protections	Short Circuit, Overload, Over Temperature.
Warranty	5 Years Replacement*



Product Ordering

Part Number	Output Voltage	Barcode
HCP-522531	24v DC Constant Voltage	9350418081872



Part Number	HCP-522531	
Output	DC Voltage	24v DC (24-26V Adjust by NFC)
	Voltage Tolerance	± 0.2V
	Rated Current	6.25A
	Rated Power	150W
Input	Load Regulation	± 2%
	Standby Power Consumption	≤ 0.5W
	Voltage Range	100 277V AC
	Frequency Range	47 - 63Hz
	Power Factor (TYP.) @ Full Load	PF≥0.98 @ 120V AC PF≥0.96 @ 230V AC PF≥ 0.95 @ 277V AC (Full Loading)
	THD(Typ.) @ Full Load	≤10% @ 120V AC ≤ 10% @ 230V AC ≤15% @ 277V AC
	Efficiency(Typ.)@ Full Load	89% @ 120V AC 91% @ 230V AC 91% @ 277V AC
	AC Current (Max)	1.65A
	Inrush Current (TYP)	38.4A, 510us@50% Ipeak (120V AC)
		88A, 120us@50% Ipeak (230V AC)
48A, 560us@50% Ipeak (277V AC)		
Leakage Current	.05mA	
Protections	Short Circuit	Hiccup mode, Recover automatically after fault condition is removed
	Overload	≤120%, Hiccup mode, Recover automatically after fault condition is removed
	Over Temperature	Ambient Temperature Over 55°C ± 10°C, Output will turn off and recovers automatically after temperature drops.
Environment	Working Temp.	-40°-+60°C
	Working Humidity	20-90%RH, Non Condensing
	Storage TEMP. Humidity	-40 - +80°C, 10 - 95% RH
	TEMP. Coefficient	≤0.03%/°c (0-50°C)
Safety & EMC	Vibration	10-500hZ, 2g 10min/1 Cycle, Period for 60min, each along X,Y,Z axes
	Safety Standards	EN61347-1
	Isolation Resistance	I/P-O/P I/P-FG O/P-FG:100MΩ/500VDC/25°C/70%RH
Others	EMC Emission	EN55015 EN61000-3-2 EN61000-3-3 (EU)≥50% Load & FCC Part 15 B (US)
	EMC Immunity	EN61000-4-2,3,4,5,6,11 EN61547
Weight	0.35Kg	

