

48W 316 STAINLESS STEEL ADJUSTABLE INGROUND LIGHT



48W ADJUSTABLE INGROUND LIGHT

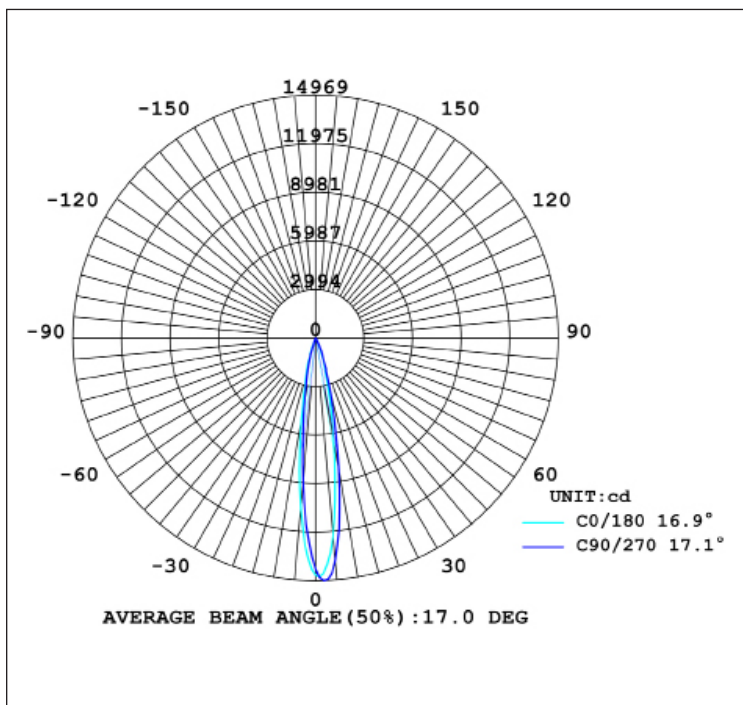
MATERIAL	316 STAINLESS STEEL + ALUMINIUM
COLOUR / FINISH	STAINLESS STEEL
COLOUR TEMP	3000K 4000K 5000K RGBC
LUMEN OUTPUT	3420LM 3580LM 3710LM RGBC
INPUT VOLTAGE	240V AC
BUILT IN LED	48W LED
DIMMING	NON-DIMMABLE
CRI	RA >80
BEAM ANGLE	30°
TILT	15°
IP RATING	IP67
IK RATING	IK10
TRAFFICABLE	1000KG
FACE DIAMETER	320MM
INSTALLATION DEPTH	350MM
CUT OUT (WITH CANNISTER)	298MM
CUT OUT (WITHOUT CANNISTER)	285MM
WARRANTY	5 YEARS REPLACEMENT



316 STAINLESS STEEL

HCP-251483	3000K	3420LM
HCP-251484	4000K	3580LM
HCP-251485	5500K	3710LM
HCP-251480	RGBC	N/A

PHOTOMETRICS



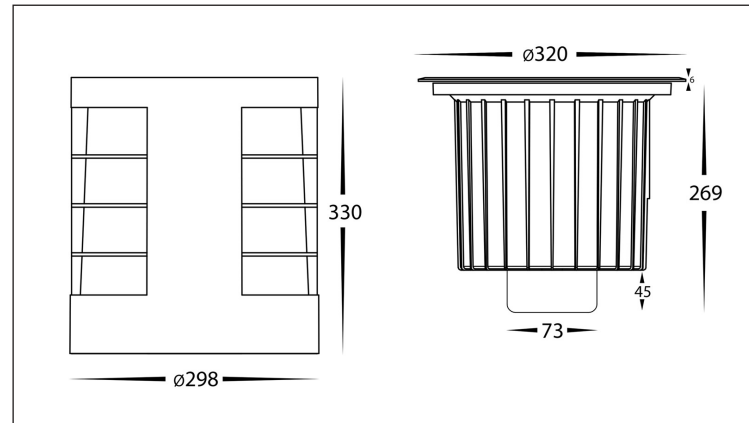
RGBC model comes with an automatic fade mode that requires no remote control to cycle through colours. To have full control of all colours a remote and receiver can be added to each fitting to achieve this.



HCP-78241

HCP-76244

DIMENSIONS



Adequate drainage must be allowed when installed.
Refer installation instructions in box or at HavitCommercial.com.au



ADDRESS: 8/133 Beauchamp Road, Matraville, N.S.W., 2036

Web: www.havitcommercial.com.au
Email: sales@havitcommercial.com.au
Phone: 02 9381 8383