

## PRODUCT DATA

13.5W 316 STAINLESS STEEL ADJUSTABLE INGROUND LIGHTS	
MATERIAL	316 STAINLESS STEEL + ALUMINIUM
COLOUR/FINISH	STAINLESS STEEL
COLOUR TEMP.	3000K   4000K   5000K
LUMEN OUTPUT	824LM   916LM   841LM
INPUT VOLTAGE	24V DC
BUILT-IN LED	13.5W
DIMMING	NO
CRI	RA >80
BEAM ANGLE	30°
TILT	15°
IP RATING	IP67
IK RATING	IK10
TRAFFICABLE	1000KG
FACE DIAMETER	180MM
INSTALLATION DEPTH	200MM
CUT OUT (WITH CANISTER)	171MM
CUT OUT (WITHOUT CANISTER)	160MM



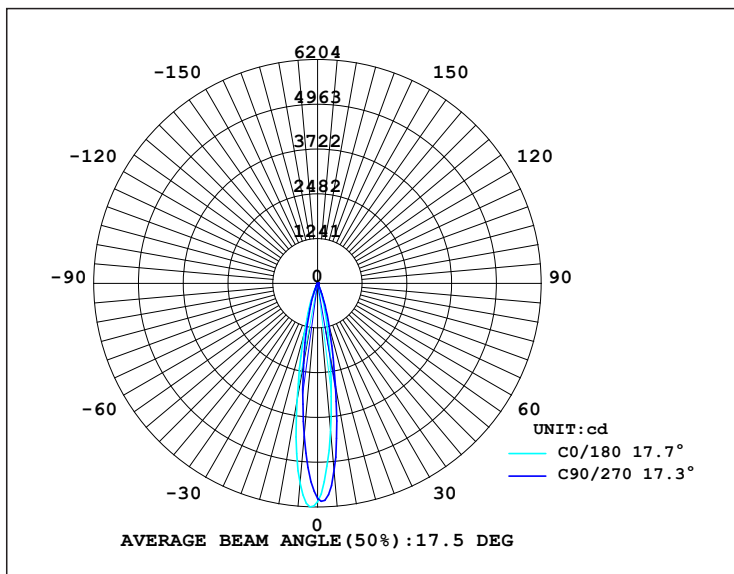
## PRODUCT ORDERING

316 STAINLESS STEEL				
	<b>HCP-251133</b>	13.5W LED	3000K	828LM
	<b>HCP-251134</b>	13.5W LED	4000K	916LM
	<b>HCP-251135</b>	13.5W LED	5000K	841LM

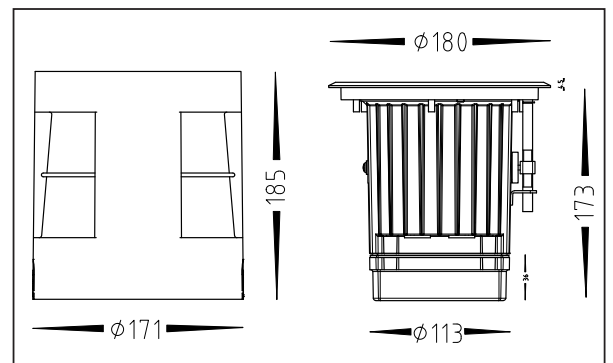


Adequate drainage must be allowed when installed, refer installation instructions at [HavitCommercial.com.au](http://HavitCommercial.com.au)

## PHOTOMETRICS



## OTHER DATA



## ADJUSTMENT TOOL (SUPPLIED WITH FITTING)

