

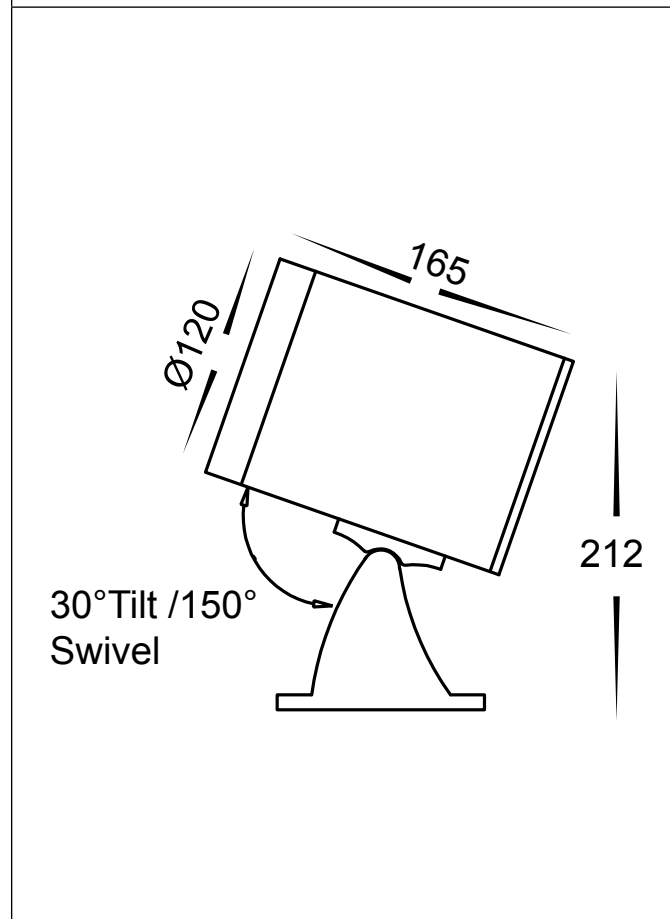
Garden Lights Installation Instructions



Product Specifications

Model No.	HCP-242180
Material	Aluminium
Colour	Black
IP Rating	IP65
Input Voltage	24v DC
Protection Class	3 (No Earth Required) ⚡
Lamp Base	Built in LED
Lamp Wattage	1x 18w
Colour Temp	TRI Colour - 3000k, 4000k, 5500k
Lumens	1620lm, 1710lm, 1800lm
CRI	> 80
Dimmable	No
Warranty	5 Years Replacement*

Dimensions



Important Safety Issues:

- This product must be installed by a qualified electrician according to AS/NZS 3000.
- Ensure all electrical mains are disconnected before any installation. Modification of this product will void any warranty.
- Havit Commercial does not take responsibility for wrong installation, incorrect use, or use of installation material that does not belong to the system.
- All electrical connections must be watertight, if a watertight connection is not done, Warranty will be voided.
- When installing low voltage fittings, Voltage to fitting must be within +or- 5% of voltage required and cannot be installed more than 25m from LED Driver, if not within this allowance warranty will be voided.
- Aluminium and 304SS fittings must not be installed within 5km of any salt water environments.
- All 316 stainless steel fittings must have regular cleaning maintenance to avoid any tea staining from forming on fitting. (Warranty does not cover Tea Staining).
- All o-rings and seals must be in place correctly to maintain warranty.
- These instructions may be updated at any time due to product improvements, Please visit website for most current installation instructions.

Steps for Surface Mount Installation:

1. Make sure that the electrical circuit is free of voltage (master switch off)
2. Place fitting in desired location using appropriate screws for application
3. Connect the cable -
4. Use an appropriate 24v DC LED Driver - DO NOT CONNECT LIGHT FITTING DIRECT TO 240V
5. Strip back cable on both fittings and cable run and twist the positive cable from fitting to positive on the cable run, then connect neutral from fitting to neutral on the cable run.
6. Solder all joins using solder with either a heat gun or butane gas torch.
7. Cover connections using an adhesive lined heat shrink or gel cap to make connection watertight. (failure to do this step will void warranty)
8. Heat the heat shrink or crimp the gel cap making sure all connections are covered.
9. For 7w + 12w models colour temperature is preset to 3000k, to change remove cover from fitting by twisting anti clockwise and set aside. Select desired colour temperature by moving switch on side just below the reflector.
10. Reattach cover by turning clockwise making sure the seals are still in place and caps are tight to avoid any water penetration.
11. All connections must be carried out carefully, inspect all contacts before switching back on the electric circuit.

Steps for Spike Installation:

1. Make sure that the electrical circuit is free of voltage (master switch off)
2. Attach spike to bottom of fitting
3. Place fitting in desired location
4. Connect the cable -
5. Use an appropriate 24v DC LED Driver - DO NOT CONNECT LIGHT FITTING DIRECT TO 240V
6. Strip back cable on both fittings and cable run and twist the positive cable from fitting to positive on the cable run, then connect neutral from fitting to neutral on the cable run.
7. Solder all joins using solder with either a heat gun or butane gas torch.
8. Cover connections using an adhesive lined heat shrink or gel cap to make connection watertight. (failure to do this step will void warranty)
9. Heat the heat shrink or crimp the gel cap making sure all connections are covered.
10. For 7w + 12w models colour temperature is preset to 3000k, to change remove cover from fitting by twisting anti clockwise and set aside. Select desired colour temperature by moving switch on side just below the reflector.
11. Reattach cover by turning clockwise making sure the seals are still in place and caps are tight to avoid any water penetration.
12. All connections must be carried out carefully, inspect all contacts before switching back on the electric circuit.

Must be installed by a licensed electrician

Contact Details:

8/133 Beauchamp Road
Matraville NSW 2036
Australia
Tel: 02 9381 8383
Email: sales@havitcommercial.com.au
Web: www.havitcommercial.com.au

Warranty Terms & Conditions*



www.havitcommercial.com.au

