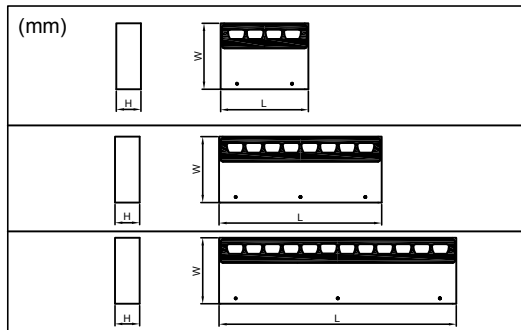


LED Wall Light Installation Instructions





Model No.	Voltage	Power	Color	Size(DXH):mm	Material	IP Grade
HCP-2321002 HCP-2331002	220-240VAC	10W	3000-5500K	160x120x45	AL	IP 65
HCP-2323002 HCP-2333002	220-240VAC	30W	3000-5500K	296x120x45	AL	IP 65
HCP-2324002 HCP-2334002	220-240VAC	40W	3000-5500K	432x120x45	AL	IP 65



Symbols

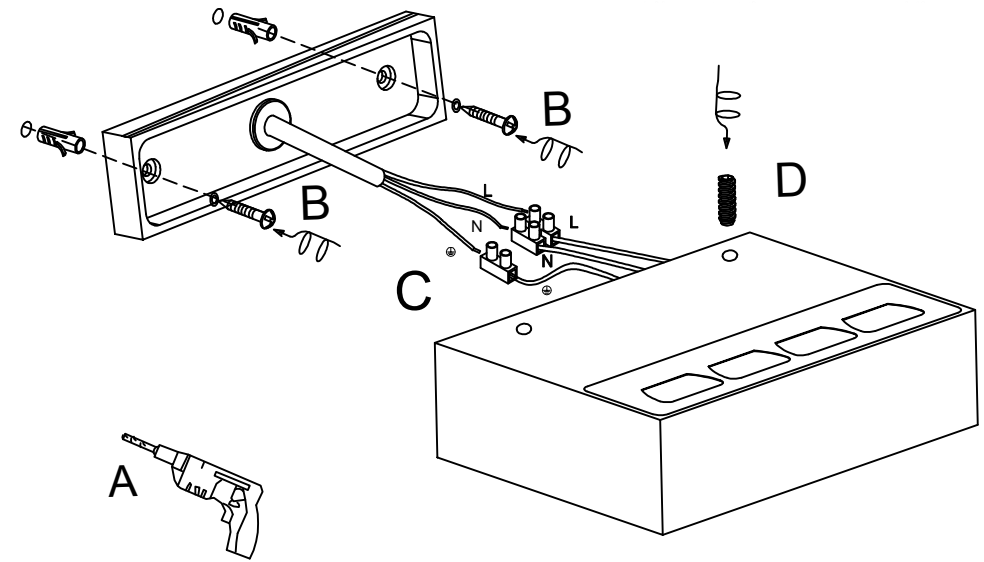
IP65 Dust Tight, zero ingress of dust permitted. Protected against jets of water. Limited ingress permitted.

 The WEEE symbol, indicating separate collection for WEEE-Waste of electrical and electronic equipment, consists of the cross-out wheeled bin.

 class of protection (SELV).

RoHS All the material used is up to standard.

LED LED light source.



1. This LED luminaire should be installed by a licensed electrician only and in accordance with all local regulations.
2. Do not connect luminaire to live power source.
3. Take care during installation, incorrect connection may damage the luminaire resulting in reduced lifespan.
4. Ensure all wall retaining screw heads / mains feed entry are covered in silicon sealant if possible.
5. Clean the appliance with a soft cloth and a standard PH neutral detergent.
6. Misuse of, or changes to the appliance shall nullify the guarantee.
7. The manufacturer is free to change the design, specifications and instructions for assembly.
8. Connect the LED luminaire to the converter before the converter is connected to the power source.

Version:2021/07

SAFETY INSTRUCTIONS

Read these instructions carefully before commencing installation and retain for future reference. The luminaire should be installed by a licensed electrician and in accordance with local regulations. Make sure that the power is off before installation or maintenance. Install as described below.

ADDRESS: 8/133 Beauchamp Road, Matraville, N.S.W., 2036

Web: www.havitcommercial.com.au
 Email: sales@havitcommercial.com.au
 Phone: 02 9381 8383