

# Recessed Step Lights Installation Instructions

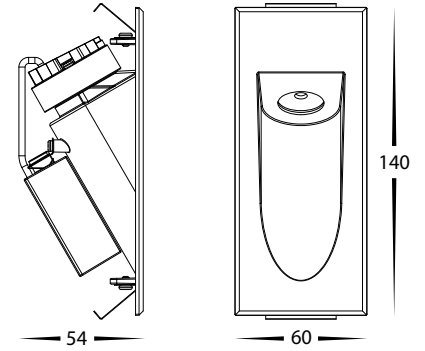


## Product Specifications

Model No.	HCP-2220332	HCP-2220342	HCP-2220352	HCP-2230332	HCP-2230342	HCP-2230352
Material	Aluminium			Aluminium		
Colour	Black			White		
Cut Out	125mm x 50mm			125mm x 50mm		
IP Rating	IP54			IP54		
Input Voltage	240V			240V		
Protection Class	2 (No Earth Required) <input type="checkbox"/>			2 (No Earth Required) <input type="checkbox"/>		
Lamp Base	Built in LED			Built in LED		
Lamp Wattage	1x 3w			1x 3w		
Colour Temp	3000k	4000k	5000k	3000k	4000k	5000k
Lumens	119lm	124lm	129lm	119lm	124lm	129lm
CRI	> 80			> 80		
Dimmable	Yes - Triac Dimming			Yes - Triac Dimming		
Warranty	5 Years Replacement*			5 Years Replacement*		

## Dimensions

Cut Out: (H) 125mm x (W) 50mm



### Important Safety Issues:

- This product must be installed by a qualified electrician according to AS/NZS 3000.
- Ensure all electrical mains are disconnected before any installation.
- Modification of this product will void any warranty.
- Havit Commercial does not take responsibility for wrong installation, incorrect use, or use of installation material that does not belong to the system.
- Aluminium and 304SS fittings must not be installed within 5km of any salt water environments.
- All o-rings and seals must be in place correctly to maintain warranty
- This form may be updated at any time due to product improvements, please check online installation form for most current version.

### Steps for Installation:

1. Make sure that the electrical circuit is free of voltage (master switch off)
2. Cut out hole in wall using cut out dimension in table or on line drawing above.
3. Connect cable - Connect live first then neutral.
4. Press down clips and insert fitting into hole and release clips.
5. See Dimmer instructions if dimming is required.
6. All connections must be carried out carefully, inspect all contacts before switching back on the electric circuit.

**Must be installed by a licensed electrician**

### Contact Details:

8/133 Beauchamp Road  
Matraville NSW 2036  
Australia  
Tel: 02 9381 8383  
Email: sales@havitcommercial.com.au  
Web: www.havitcommercial.com.au

### Warranty Terms & Conditions\*



[www.havitcommercial.com.au](http://www.havitcommercial.com.au)

