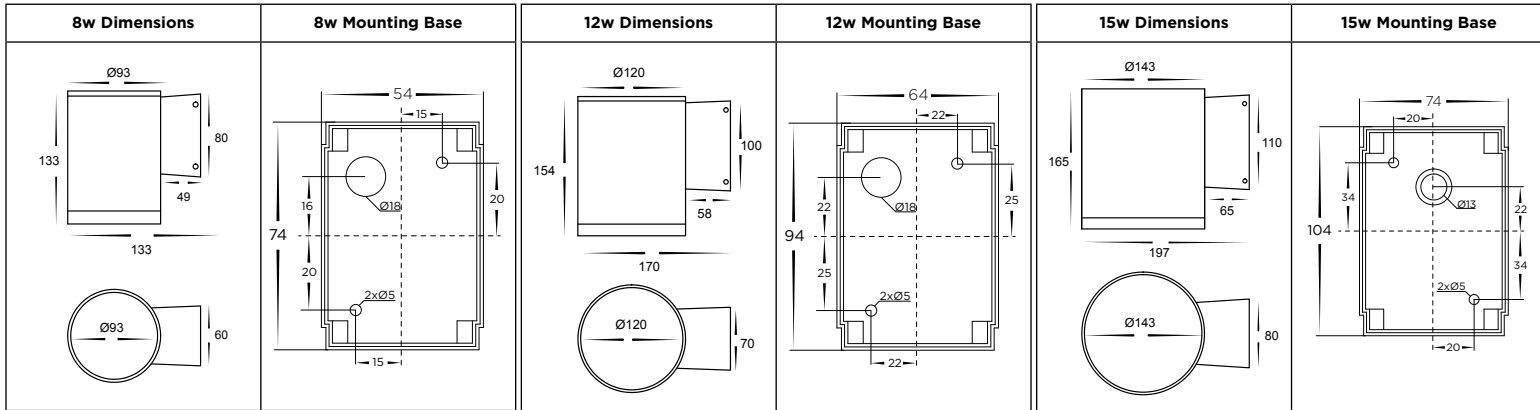


Fixed Down Wall Lights Installation Instructions



Product Specifications

Model No.	HCP-212080	HCP-213080	HCP-212120	HCP-213120	HCP-212150	HCP-213150
Material	Aluminium		Aluminium		Aluminium	
Colour	Black	White	Black	White	Black	White
IP Rating	IP65		IP65		IP65	
Input Voltage	240v		240v		240v	
Protection Class	1 (Earth Required) ⚡		1 (Earth Required) ⚡		1 (Earth Required) ⚡	
Lamp Base	Built in LED		Built in LED		Built in LED	
Lamp Wattage	1x 8w		1x 12w		1x 15w	
Colour Temp	Tri-Colour - 3000k, 4000k, 5500k		Tri-Colour - 3000k, 4000k, 5500k		Tri-Colour - 3000k, 4000k, 5500k	
Lumens	720lm, 760lm, 800lm		1080lm, 1140lm, 1200lm		1350lm, 1425lm, 1500lm	
CRI	> 80		> 80		> 80	
Dimmable	No		No		No	
Warranty	5 Years Replacement*		5 Years Replacement*		5 Years Replacement*	



Important Safety Issues:

- This product must be installed by a qualified electrician according to AS/NZS 3000.
- Ensure all electrical mains are disconnected before any installation.
- Modification of this product will void any warranty.
- Havit Commercial does not take responsibility for wrong installation, incorrect use, or use of installation material that does not belong to the system.
- Aluminium and 304SS fittings must not be installed within 5km of any salt water environments.
- All o-rings and seals must be in place correctly to maintain warranty
- This form may be updated at any time due to product improvements, please check online installation form for most current version.

Steps for Installation:

1. Make sure that the electrical circuit is free of voltage (master switch off)
2. Loosen allen screws on side of base and separate mounting bracket from fitting.
3. Install the backing plate securely using appropriate screws for application, Seal all holes in the backing plate including cable entry and screw holes. Failure to do so will void warranty.
4. Connect the cable - use wire with earth; connect the earth first, then live and neutral wire.
5. Affix the fitting to the mounting bracket and tighten allen screws, making sure these are tight to avoid any water penetration.
6. Apply silicon seal around the whole base plate to avoid any water getting into electrical connections.
7. Colour temperature and wattage is preset to 3000k, to change remove cover from fitting by twisting anti clockwise and set aside. Slide switch located under reflector to desired colour temperature.
8. Reattach cover by turning clockwise making sure the seals are still in place and cover is tight to avoid any water penetration.
9. All connections must be carried out carefully, inspect all contacts before switching back on the electric circuit.

Must be installed by a licensed electrician

Contact Details:

8/133 Beauchamp Road
Matraville NSW 2036
Australia
Tel: 02 9381 8383
Email: sales@havitcommercial.com.au
Web: www.havitcommercial.com.au

Warranty Terms & Conditions*



www.havitcommercial.com.au

