

6W-9W SINGLE CIRCUIT TRACK HEADS

PRODUCT SPECIFICATIONS

MATERIAL	ALUMINIUM
COLOUR / FINISH	MATT BLACK MATT WHITE
TRACK TYPE	SINGLE CIRCUIT
COLOUR TEMP	3000K 4000K 5000K (TRI-COLOUR)
LUMEN OUTPUT	558LM-767LM 596LM-832LM 595LM-828LM
INPUT VOLTAGE	240V AC
BUILT IN LED	6W OR 9W LED (SELECTABLE ON FITTING)
DIMMING	TRIAC / PHASE CUT DIMMABLE
CRI	RA >90
BEAM ANGLE	150°
UGR RATING	<34
LAMP EXPECTANCY	>50000HRS
IP RATING	IP20
OPERATING TEMPERATURE	-10° TO 40° CELCIUS
LED CHIP TYPE	BRIDGELUX
WARRANTY	5 YEARS REPLACEMENT



PRODUCT ORDERING

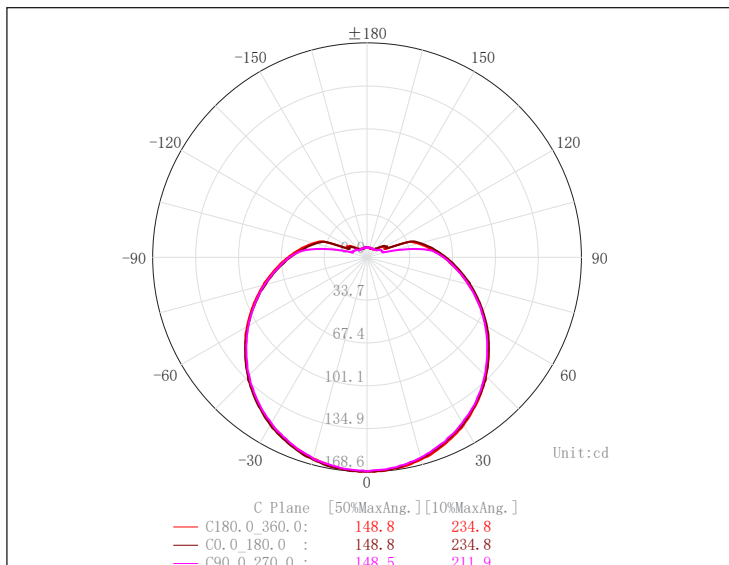
ALUMINIUM BLACK

HCP-1021913	3000K	558LM-767LM
	4000K	596LM-832LM
	5000K	595LM-828LM

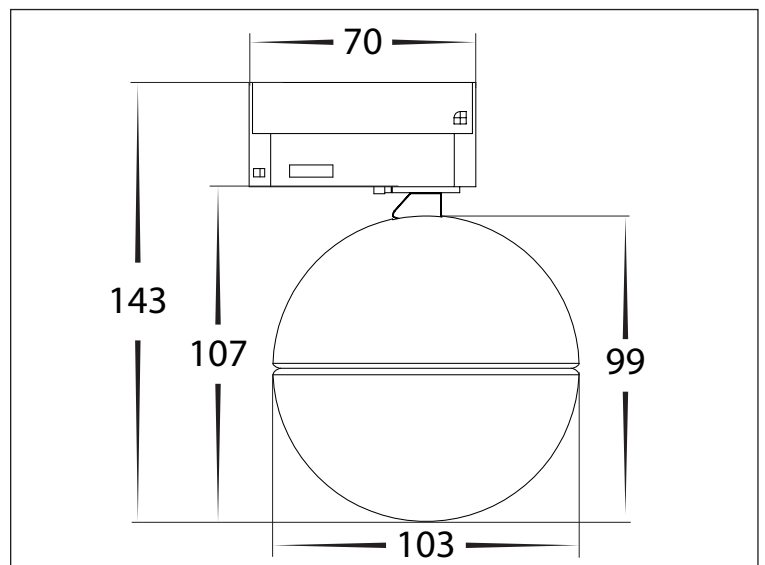
ALUMINIUM WHITE

HCP-1031913	3000K	558LM-767LM
	4000K	596LM-832LM
	5000K	595LM-828LM

PHOTOMETRICS



DIMENSIONS



PHOTOMETRICS

