

# 6W-9W SINGLE CIRCUIT TRACK HEADS



## PRODUCT SPECIFICATIONS

MATERIAL	ALUMINIUM
COLOUR / FINISH	MATT BLACK   MATT WHITE
TRACK TYPE	SINGLE CIRCUIT
COLOUR TEMP	3000K   4000K   5000K (TRI-COLOUR)
LUMEN OUTPUT	630LM-874LM   668LM-943LM   663LM-921LM
INPUT VOLTAGE	240V AC
BUILT IN LED	6W OR 9W LED (SELECTABLE ON FITTING)
DIMMING	TRIAC / PHASE CUT DIMMABLE
CRI	RA >90
BEAM ANGLE	60°
UGR RATING	<23
LAMP EXPECTANCY	>50000HRS
IP RATING	IP20
OPERATING TEMPERATURE	-10° TO 40° CELCIUS
LED CHIP TYPE	BRIDGELUX
WARRANTY	5 YEARS REPLACEMENT



## PRODUCT ORDERING

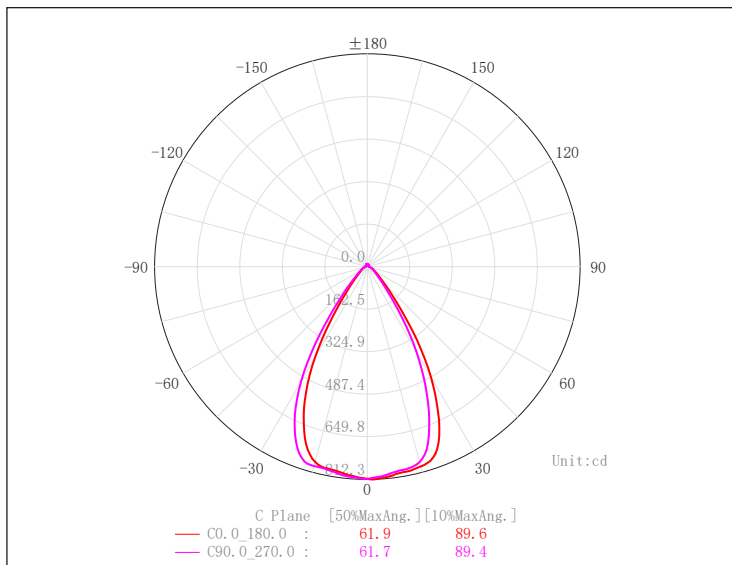
### ALUMINIUM BLACK

HCP-1021911	3000K	630LM-874LM
	4000K	668LM-943LM
	5000K	663LM-921LM

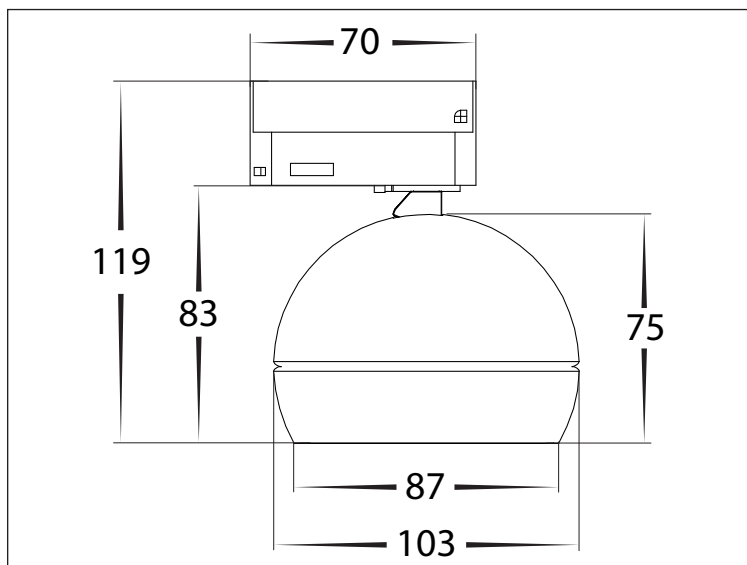
### ALUMINIUM WHITE

HCP-1031911	3000K	630LM-874LM
	4000K	668LM-943LM
	5000K	663LM-921LM

## PHOTOMETRICS



## DIMENSIONS



## PHOTOMETRICS



Web: [www.havitcommercial.com.au](http://www.havitcommercial.com.au)  
 Email: [sales@havitcommercial.com.au](mailto:sales@havitcommercial.com.au)  
 Phone: 02 9381 8383  
 ADDRESS: 8/133 Beauchamp Road, Matraville, N.S.W., 2036



Warranty Terms & Conditions



[www.havitcommercial.com.au](http://www.havitcommercial.com.au)