

6W-9W SURFACE MOUNTED SPOT LIGHTS

PRODUCT SPECIFICATIONS

MATERIAL	ALUMINIUM
COLOUR / FINISH	MATT BLACK MATT WHITE
COLOUR TEMP	3000K 4000K 5000K (TRI-COLOUR)
LUMEN OUTPUT	526LM-742LM 562LM-797LM 559LM-778LM
INPUT VOLTAGE	240V AC
BUILT IN LED	6W OR 9W LED (SELECTABLE ON FITTING)
DIMMING	TRIAC / PHASE CUT DIMMABLE
CRI	RA >90
BEAM ANGLE	60°
UGR RATING	<28
LAMP EXPECTANCY	>50000HRS
IP RATING	IP20
OPERATING TEMPERATURE	-10° TO 40° CELCIUS
LED CHIP TYPE	BRIDGELUX
WARRANTY	5 YEARS REPLACEMENT



PRODUCT ORDERING

ALUMINIUM BLACK

HCP-1020934	3000K	526LM-742LM
	4000K	562LM-797LM
	5000K	559LM-778LM

ALUMINIUM WHITE

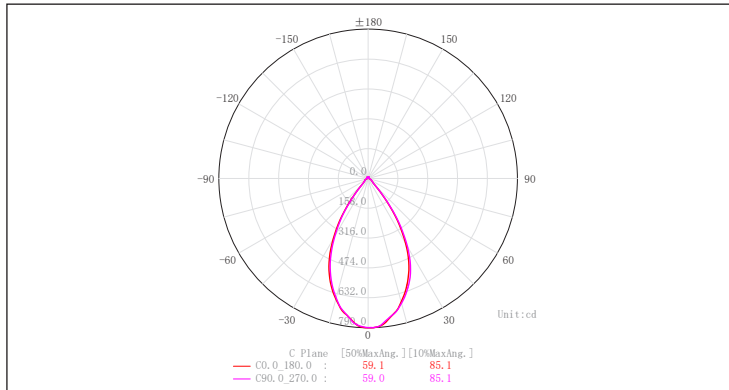
HCP-1030934	3000K	526LM-742LM
	4000K	562LM-797LM
	5000K	559LM-778LM

OPTIONAL MAGNETIC REFLECTORS

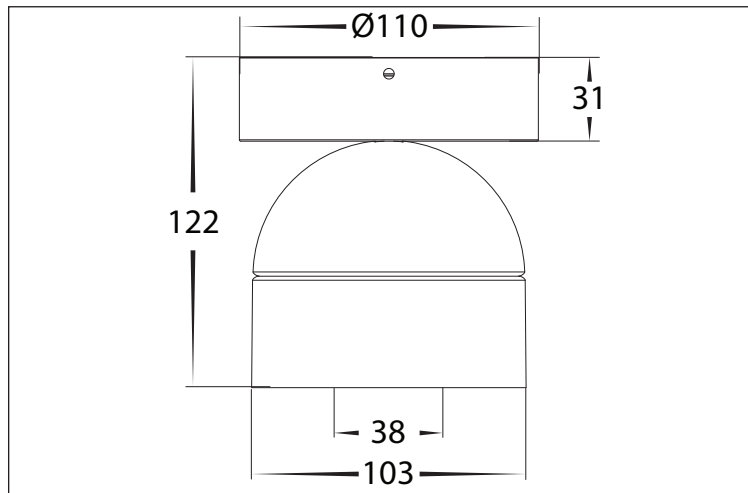
	HCP-1051964-BR	BLACK MAGNETIC INNER RING
	HCP-1051964-CHR	CHROME MAGNETIC INNER RING
	HCP-1051964-GR	GOLD MAGNETIC INNER RING



PHOTOMETRICS



DIMENSIONS



PHOTOMETRICS

