

6W-9W SURFACE MOUNTED SPOT LIGHTS



PRODUCT SPECIFICATIONS

MATERIAL	ALUMINIUM
COLOUR / FINISH	MATT BLACK MATT WHITE
COLOUR TEMP	3000K 4000K 5000K (TRI-COLOUR)
LUMEN OUTPUT	570LM-791LM 607LM-859LM 631LM-847LM
INPUT VOLTAGE	240V AC
BUILT IN LED	6W OR 9W LED (SELECTABLE ON FITTING)
DIMMING	TRIAC / PHASE CUT DIMMABLE
CRI	RA >90
BEAM ANGLE	60°
UGR RATING	<27
LAMP EXPECTANCY	>50000HRS
IP RATING	IP20
OPERATING TEMPERATURE	-10° TO 40° CELCIUS
LED CHIP TYPE	BRIDGELUX
WARRANTY	5 YEARS REPLACEMENT



PRODUCT ORDERING

ALUMINIUM BLACK

HCP-1020932	3000K	570LM-791LM
	4000K	607LM-859LM
	5000K	631LM-847LM

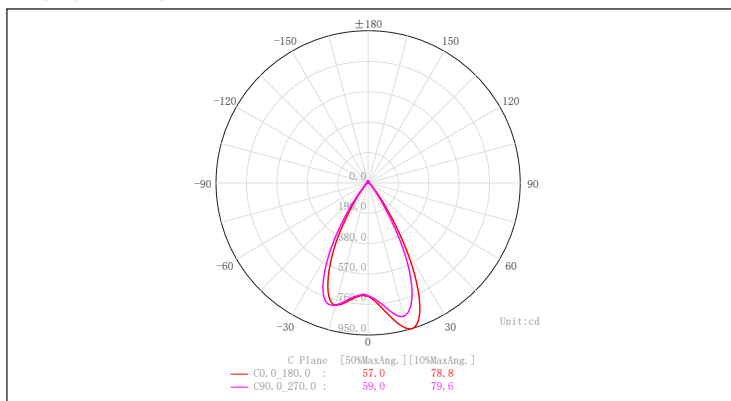
ALUMINIUM WHITE

HCP-1030932	3000K	570LM-791LM
	4000K	607LM-859LM
	5000K	631LM-847LM

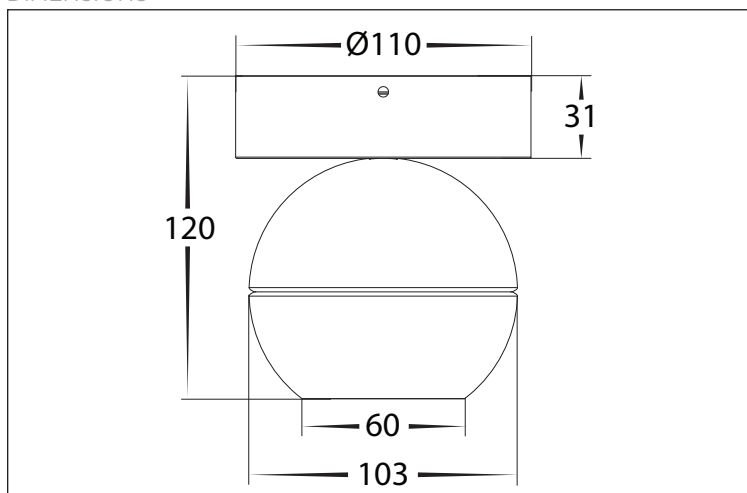
OPTIONAL MAGNETIC REFLECTORS

	HCP-1050964-BR	BLACK MAGNETIC INNER RING
	HCP-1050964-CHR	CHROME MAGNETIC INNER RING
	HCP-1050964-GR	GOLD MAGNETIC INNER RING

PHOTOMETRICS



DIMENSIONS



Web: www.havitcommercial.com.au
 Email: sales@havitcommercial.com.au
 Phone: 02 9381 8383

ADDRESS: 8/133 Beauchamp Road, Matraville, N.S.W., 2036



Warranty Terms & Conditions



www.havitcommercial.com.au