

6W-9W SURFACE MOUNTED SPOT LIGHTS



PRODUCT SPECIFICATIONS

MATERIAL	ALUMINIUM
COLOUR / FINISH	MATT BLACK MATT WHITE
COLOUR TEMP	3000K 4000K 5000K (TRI-COLOUR)
LUMEN OUTPUT	630LM-874LM 668LM-943LM 663LM-921LM
INPUT VOLTAGE	240V AC
BUILT IN LED	6W OR 9W LED (SELECTABLE ON FITTING)
DIMMING	TRIAC / PHASE CUT DIMMABLE
CRI	RA >90
BEAM ANGLE	60°
UGR RATING	<23
LAMP EXPECTANCY	>50000HRS
IP RATING	IP20
OPERATING TEMPERATURE	-10° TO 40° CELCIUS
LED CHIP TYPE	BRIDGELUX
WARRANTY	5 YEARS REPLACEMENT

PRODUCT ORDERING

ALUMINIUM BLACK

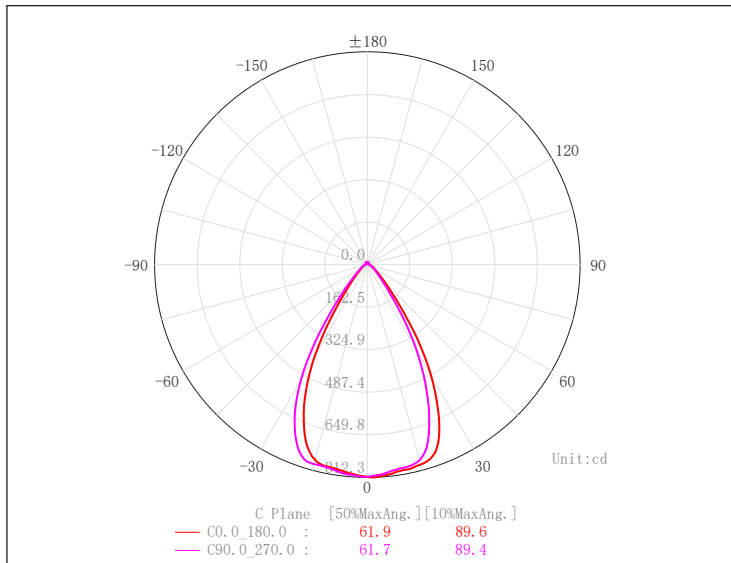
HCP-1020931	3000K	630LM-874LM
	4000K	668LM-943LM
	5000K	663LM-921LM

ALUMINIUM WHITE

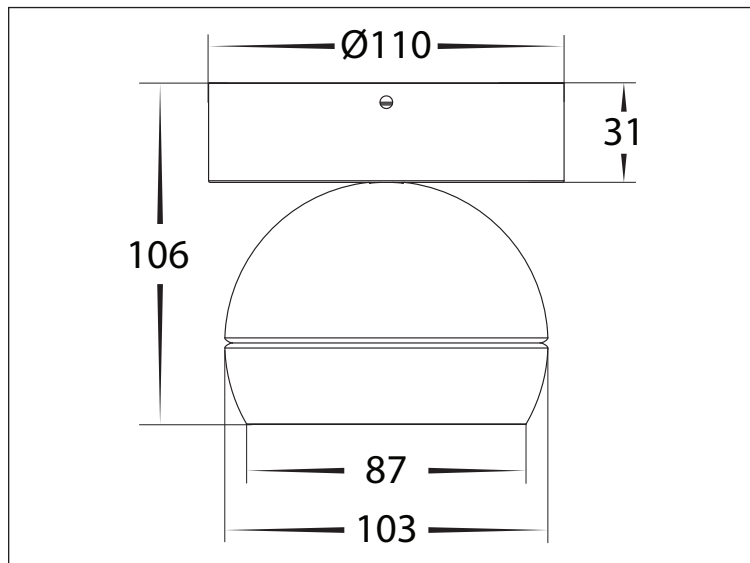
HCP-1030931	3000K	630LM-874LM
	4000K	668LM-943LM
	5000K	663LM-921LM



PHOTOMETRICS



DIMENSIONS



PHOTOMETRICS



Web: www.havitcommercial.com.au
 Email: sales@havitcommercial.com.au
 Phone: 02 9381 8383

ADDRESS: 8/133 Beauchamp Road, Matraville, N.S.W., 2036



Warranty Terms & Conditions



www.havitcommercial.com.au