

# 6W-9W THREE CIRCUIT PENDANTS

## PRODUCT SPECIFICATIONS

MATERIAL	ALUMINIUM
COLOUR / FINISH	MATT BLACK   MATT WHITE
TRACK TYPE	3 CIRCUIT   4 WIRE
CABLE LENGTH	1500MM
COLOUR TEMP	3000K   4000K   5000K (TRI-COLOUR)
LUMEN OUTPUT	630LM-874LM   668LM-943LM   663LM-921LM
INPUT VOLTAGE	240V AC
BUILT IN LED	6W OR 9W LED (SELECTABLE ON FITTING)
DIMMING	TRIAC / PHASE CUT DIMMABLE
CRI	RA >90
BEAM ANGLE	60°
UGR RATING	<23
LAMP EXPECTANCY	>50000HRS
IP RATING	IP20
OPERATING TEMPERATURE	-10° TO 40° CELCIUS
LED CHIP TYPE	BRIDGELUX
WARRANTY	5 YEARS REPLACEMENT

## PRODUCT ORDERING

### ALUMINIUM BLACK

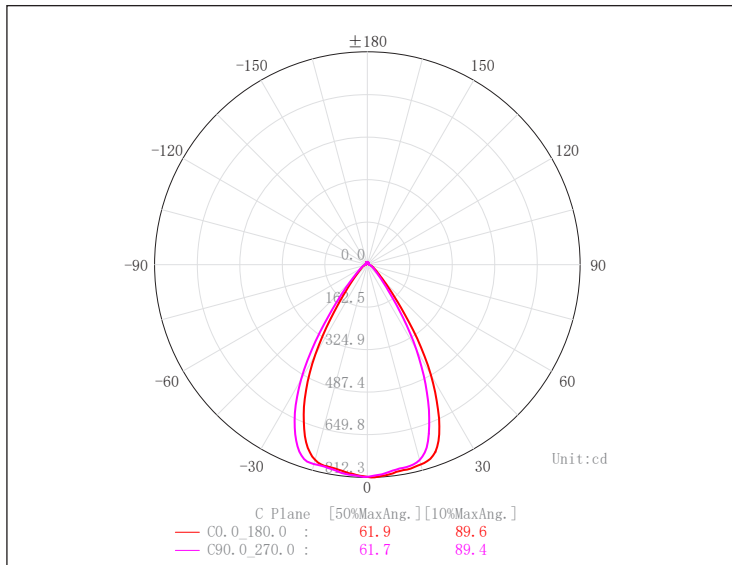
HCP-1020921	3000K	630LM-874LM
	4000K	668LM-943LM
	5000K	663LM-921LM

### ALUMINIUM WHITE

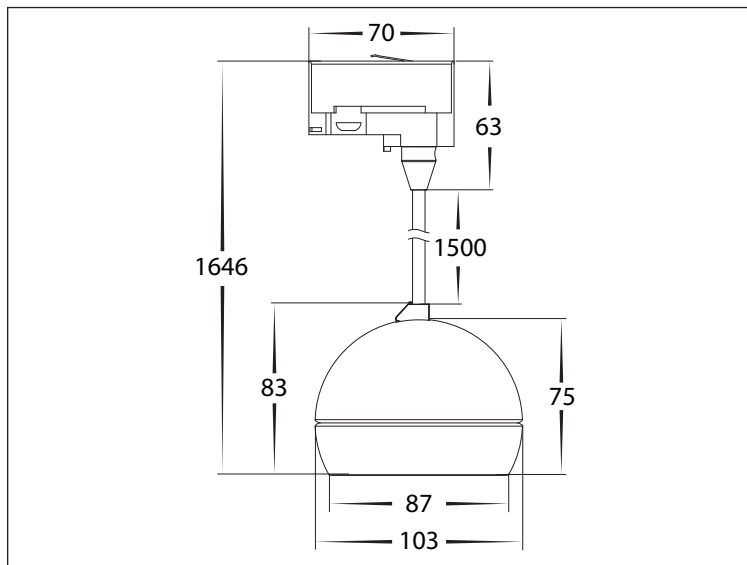
HCP-1030921	3000K	630LM-874LM
	4000K	668LM-943LM
	5000K	663LM-921LM



## PHOTOMETRICS



## DIMENSIONS



## PHOTOMETRICS

