

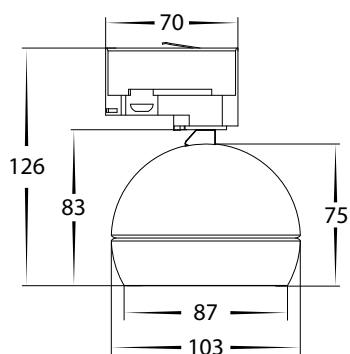
6w or 9w Tri Colour Track Light Installation Instructions



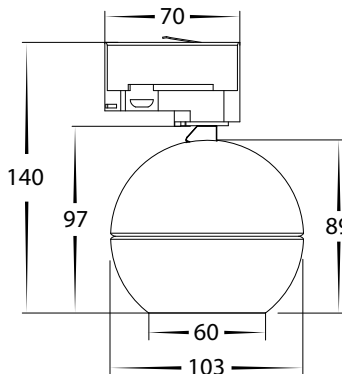
Product Specifications

Model No.	HCP-1020911	HCP-1030911	HCP-1020912	HCP-1030912	HCP-1020913	HCP-1030913	HCP-1020914	HCP-1030914
Material	Aluminium + Plastic		Aluminium + Plastic		Aluminium + Plastic		Aluminium + Plastic	
Colour	Black	White	Black	White	Black	White	Black	White
IP Rating	IP20		IP20		IP20		IP20	
Track Type	Three Circuit		Three Circuit		Three Circuit		Three Circuit	
Input Voltage	240v		240v		240v		240v	
Protection Class	1 (Requires Earth)		1 (Requires Earth)		1 (Requires Earth)		1 (Requires Earth)	
Lamp Base	Built in LED		Built in LED		Built in LED		Built in LED	
Lamp Wattage	1x 6 or 9w		1x 6 or 9w		1x 6 or 9w		1x 6 or 9w	
Colour Temp	Tri-Colour - 3000k, 4000k, 5000k		Tri-Colour - 3000k, 4000k, 5000k		Tri-Colour - 3000k, 4000k, 5000k		Tri-Colour - 3000k, 4000k, 5000k	
Lumens	630-874lm, 668-943lm, 663-921lm		570-791lm, 607-589lm, 631-847lm		558-767lm, 596-832lm, 595-828lm		526-742lm, 562-797lm, 559-778lm	
CRI	> 90		> 90		> 90		> 90	
Dimmable	Yes - Triac Dimmable		Yes - Triac Dimmable		Yes - Triac Dimmable		Yes - Triac Dimmable	
Warranty	5 Years Replacement*		5 Years Replacement*		5 Years Replacement*		5 Years Replacement*	

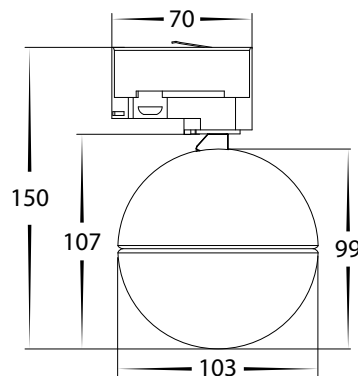
HCP-1020911 + HCP-1030911 Dimensions



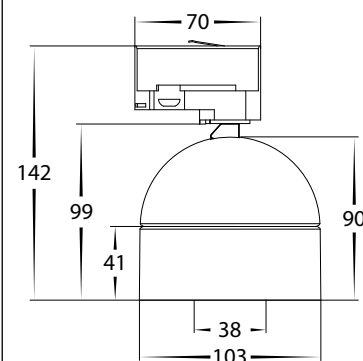
HCP-1020912 + HCP-1030912 Dimensions



HCP-1020913 + HCP-1030913 Dimensions



HCP-1020914 + HCP-1030914 Dimensions



Important Safety Issues:

- This product must be installed by a qualified electrician according to AS/NZS 3000.
- Ensure all electrical mains are disconnected before any installation.
- Modification of this product will void any warranty.
- Havit Commercial does not take responsibility for wrong installation, incorrect use, or use of installation material that does not belong to the system.
- Aluminium and 304SS fittings must not be installed within 5km of any salt water environments.
- All o-rings and seals must be in place correctly to maintain warranty
- This form may be updated at any time due to product improvements, please check online installation form for most current version.

Steps for Installation:

1. Make sure that the electrical circuit is free of voltage (master switch off)
2. Slide locking pin on base to open position
3. Insert track light into track making sure connection points are on correct side of track
4. Slide locking pin into closed position
5. Select Circuit that you wish the track light to be switched on from (1, 2 or 3) by sliding selector found on bottom of track adaptor to desired circuit
6. Fitting is set to 3000k and 9w, while fitting is switched off remove front lens by twisting anti clockwise
7. Select desired colour temperature and wattage by sliding switches
8. Reattach lens by twisting clockwise until you cannot twist anymore.
9. Direct light fitting to desired position by twisting left and right or up and down making sure not to twist too far to avoid damaging fitting.
10. Repeat these steps if more than 1 fitting is being installed
11. All connections must be carried out carefully, inspect all contacts before switching back on the electric circuit.

Steps for Installation of Coloured Inner Ring:

1. Make sure that the electrical circuit is free of voltage (master switch off)
2. Remove inner ring from fitting by pulling gently
3. Insert new coloured inner ring by lining up magnets and release

Must be installed by a licensed electrician

Contact Details:

8/133 Beauchamp Road
Matraville NSW 2036
Australia
Tel: 02 9381 8383
Email: sales@havitcommercial.com.au
Web: www.havitcommercial.com.au

Warranty Terms & Conditions*



www.havitcommercial.com.au

