

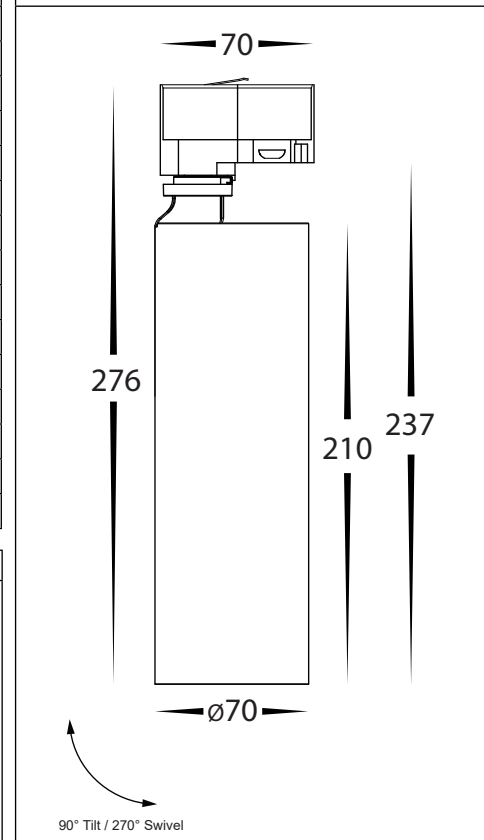
35w Single Colour Track Light Installation Instructions



Product Specifications

Model No.	HCP-1022731	HCP-1022741	HCP-1022751	HCP-1032731	HCP-1032741	HCP-1032751
Material	Aluminium + Plastic					
Colour	Black			White		
IP Rating	IP20					
Track Type	Three Circuit					
Input Voltage	240v					
Protection Class	1 (Requires Earth) ⚡					
Lamp Base	Built in LED					
Lamp Wattage	1x 35w					
Colour Temp	3000k	4000k	5000k	3000k	4000k	5000k
Lumens	3150lm	3500lm	3360lm	3150lm	3500lm	3360lm
CRI	> 90					
Wiring	Parallel					
Dimmable	Yes - Triac Dimmable					
Warranty	5 Years Replacement*					

Dimensions



Important Safety Issues:

- This product must be installed by a qualified electrician according to AS/NZS 3000.
- Ensure all electrical mains are disconnected before any installation.
- Modification of this product will void any warranty.
- Havit Commercial does not take responsibility for wrong installation, incorrect use, or use of installation material that does not belong to the system.
- Aluminium and 304SS fittings must not be installed within 5km of any salt water environments.
- All o-rings and seals must be in place correctly to maintain warranty
- This form may be updated at any time due to product improvements, please check online installation form for most current version.

Steps for Installation:

1. Make sure that the electrical circuit is free of voltage (master switch off)
2. Slide locking pin on base to open position
3. Insert track light into track making sure connection points are on correct side of track
4. Slide locking pin into closed position
5. Direct light fitting to desired position by twisting left and right or up and down making sure not to twist too far to avoid damaging fitting.
6. Select Circuit that you wish the track light to be switched on from (1, 2 or 3) by sliding selector found on bottom of track adaptor to desired circuit
7. Repeat these steps if more than 1 fitting is being installed
8. All connections must be carried out carefully, inspect all contacts before switching back on the electric circuit.

Steps for Installation of Honeycomb lens:

1. Make sure that the electrical circuit is free of voltage (master switch off)
2. Remove inner ring from fitting by twisting anti-clockwise
3. Insert Honeycomb lens into back of inner ring
4. Reinsert inner ring by twisting clockwise until it cannot twist anymore
5. All connections must be carried out carefully, inspect all contacts before switching back on the electric circuit.

Steps for Installation of lens:

1. Make sure that the electrical circuit is free of voltage (master switch off)
2. Remove inner ring from fitting by twisting anti-clockwise
3. Insert lens into fitting.
4. Reinsert inner ring by twisting clockwise until it cannot twist anymore
5. All connections must be carried out carefully, inspect all contacts before switching back on the electric circuit.

Steps for Installation of Coloured Inner Ring:

1. Make sure that the electrical circuit is free of voltage (master switch off)
2. Remove inner ring from fitting by twisting anti-clockwise.
3. Insert new coloured inner ring by twisting clockwise until it cannot twist anymore
4. Reinsert inner ring by twisting clockwise until it cannot twist anymore
5. All connections must be carried out carefully, inspect all contacts before switching back on the electric circuit.

Must be installed by a licensed electrician

Contact Details:

8/133 Beauchamp Road
Matraville NSW 2036
Australia
Tel: 02 9381 8383
Email: sales@havitcommercial.com.au
Web: www.havitcommercial.com.au

Warranty Terms & Conditions*



www.havitcommercial.com.au

