

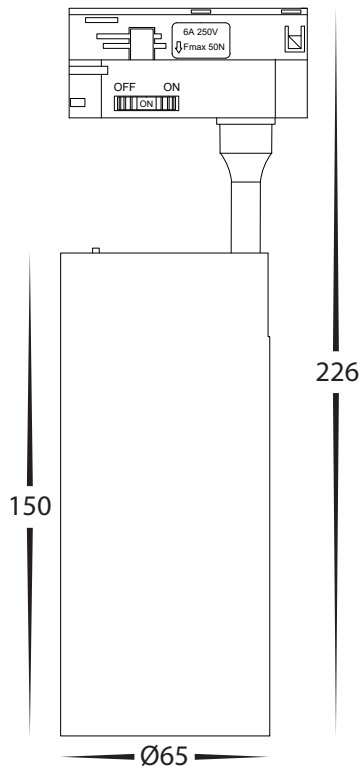
20w + 30w Tri Colour Track Light Installation Instructions



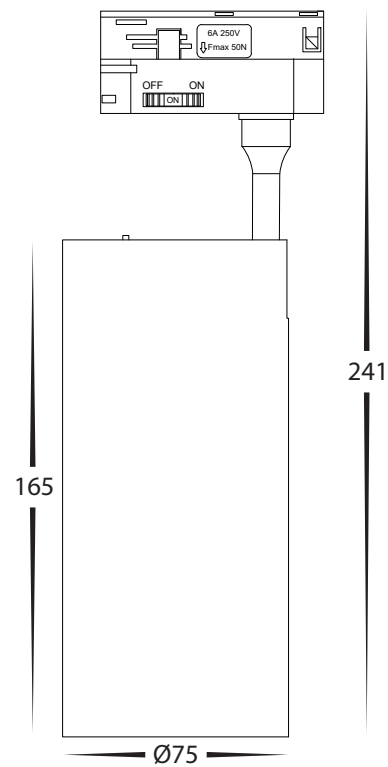
Product Specifications

Model No.	HCP-1022001	HCP-1032001	HCP-1023001	HCP-1033001
Material	Aluminium + Plastic			
Colour	Black	White	Black	White
IP Rating	IP20		IP20	
Track Type	Single Circuit		Single Circuit	
Input Voltage	240v		240v	
Protection Class	1 (Requires Earth) ⚡		1 (Requires Earth) ⚡	
Lamp Base	Built in LED		Built in LED	
Lamp Wattage	1x 20w		1x 30w	
Colour Temp	TRI-Colour - 3000k , 4000k, 5500k		TRI-Colour - 3000k , 4000k, 5500k	
Lumens	1170lm, 1265lm, 1280lm		2090lm, 2310lm, 2350lm	
CRI	> 90		> 90	
Dimmable	Yes - Triac Dimmable		Yes - Triac Dimmable	
Warranty	5 Years Replacement*		5 Years Replacement*	

20w Dimensions



30w Dimensions



Important Safety Issues:

- This product must be installed by a qualified electrician according to AS/NZS 3000.
- Ensure all electrical mains are disconnected before any installation.
- Modification of this product will void any warranty.
- Havit Commercial does not take responsibility for wrong installation, incorrect use, or use of installation material that does not belong to the system.
- Aluminium and 304SS fittings must not be installed within 5km of any salt water environments.
- All o-rings and seals must be in place correctly to maintain warranty
- This form may be updated at any time due to product improvements, please check online installation form for most current version.

Steps for Installation:

1. Make sure that the electrical circuit is free of voltage (master switch off)
2. Slide locking pin on base to open position
3. Insert track light into track making sure connection points are on correct side of track
4. Slide locking pin into closed position
5. Fitting is set to 3000k, while fitting is switched off slide switch located on the back of light fitting to desired colour temperature.
6. Direct light fitting to desired position by twisting left and right or up and down making sure not to twist too far to avoid damaging fitting.
7. Repeat these steps if more than 1 fitting is being installed
8. All connections must be carried out carefully, inspect all contacts before switching back on the electric circuit.

Must be installed by a licensed electrician

Contact Details:

8/133 Beauchamp Road
Matraville NSW 2036
Australia
Tel: 02 9381 8383
Email: sales@havitcommercial.com.au
Web: www.havitcommercial.com.au

Warranty Terms & Conditions*



www.havitcommercial.com.au

