

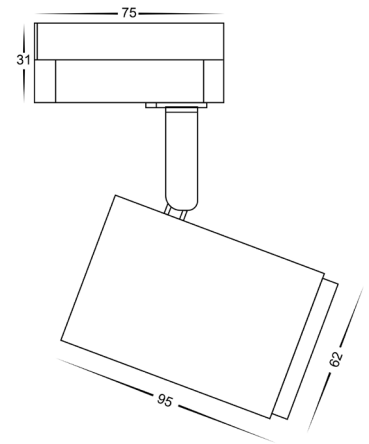
12w Single Colour Track Light Installation Instructions



Product Specifications

Model No.	HCP-1021231	HCP-1021241	HCP-1021251	HCP-1031231	HCP-1031241	HCP-1031251
Material	Aluminium + Plastic					
Colour	Black			White		
IP Rating	IP20					
Track Type	Single Circuit					
Input Voltage	240v					
Protection Class	1 (Requires Earth) ⚡					
Lamp Base	Built in LED					
Lamp Wattage	12w					
Colour Temp	3000k	4000k	5000k	3000k	4000k	5000k
Lumens	900lm	960lm	1020lm	900lm	960lm	1020lm
CRI	> 80					
Wiring	Parallel					
Dimmable	Yes - Triac Dimmable					
Warranty	5 Years Replacement*					

Dimensions



Important Safety Issues:

- This product must be installed by a qualified electrician according to AS/NZS 3000.
- Ensure all electrical mains are disconnected before any installation.
- Modification of this product will void any warranty.
- Havit Commercial does not take responsibility for wrong installation, incorrect use, or use of installation material that does not belong to the system.
- Aluminium and 304SS fittings must not be installed within 5km of any salt water environments.
- All o-rings and seals must be in place correctly to maintain warranty
- This form may be updated at any time due to product improvements, please check online installation form for most current version.

Steps for Installation:

1. Make sure that the electrical circuit is free of voltage (master switch off)
2. Slide locking pin on base to open position
3. Insert track light into track making sure connection points are on correct side of track
4. Slide locking pin into closed position
5. Direct light fitting to desired position by twisting left and right or up and down making sure not to twist too far to avoid damaging fitting.
6. Repeat these steps if more than 1 fitting is being installed
7. All connections must be carried out carefully, inspect all contacts before switching back on the electric circuit.

Must be installed by a licensed electrician

Contact Details:

8/133 Beauchamp Road
Matraville NSW 2036
Australia
Tel: 02 9381 8383
Email: sales@havitcommercial.com.au
Web: www.havitcommercial.com.au

Warranty Terms & Conditions*



www.havitcommercial.com.au

