

# Single Circuit Track Light + Track Installation Instructions



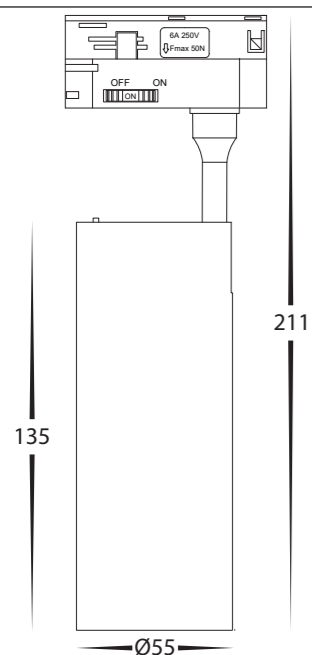
## Track Light Product Specifications

Model No.	HCP-1021011	HCP-1031011	HCP-1022001	HCP-1032001	HCP-1023001	HCP-1033001
Material	Aluminium + Plastic		Aluminium + Plastic		Aluminium + Plastic	
Colour	Black	White	Black	White	Black	White
IP Rating	IP20		IP20		IP20	
Track Type	Single Circuit - 3 Wire		Single Circuit - 3 Wire		Single Circuit - 3 Wire	
Input Voltage	240v		240v		240v	
Protection Class	1 (Requires Earth) ⚡		1 (Requires Earth) ⚡		1 (Requires Earth) ⚡	
Lamp Base	Built in LED		Built in LED		Built in LED	
Lamp Wattage	1x 10w		1x 20w		1x 30w	
Colour Temp	5-Colour - 2700k, 3000k, 4000k, 5000k, 5700k		5-Colour - 2700k, 3000k, 4000k, 5000k, 5700k		5-Colour - 2700k, 3000k, 4000k, 5000k, 5700k	
Lumens	759lm, 789lm, 870lm, 940lm, 985lm		1074lm, 1130lm, 1196lm, 1241lm, 1255lm		1663lm, 1706lm, 1792lm, 1840lm, 1920lm	
CRI	> 90		> 90		> 90	
Dimmable	Yes - Triac Dimmable		Yes - Triac Dimmable		Yes - Triac Dimmable	
Warranty	5 Years Replacement*		5 Years Replacement*		5 Years Replacement*	

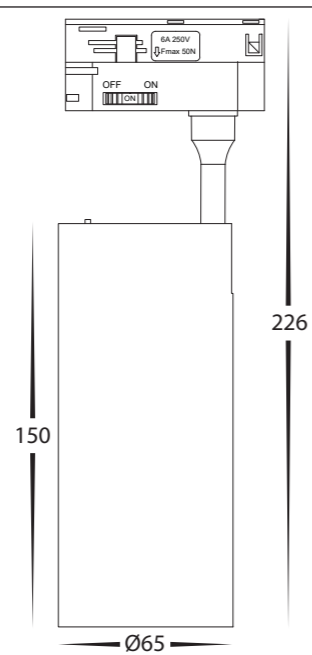
## Track Product Specifications

Model No.	HCP-102110	HCP-102120	HCP-102130	HCP-103110	HCP-103120	HCP-103130
Material	Aluminium + Plastic			Aluminium + Plastic		
Colour	Black			White		
Length	1m	2m	3m	1m	2m	3m
IP Rating	IP20			IP20		
Track Type	Single Circuit - Surface Mounted			Single Circuit - Surface Mounted		
Input Voltage	240v			240v		
Protection Class	1 (Requires Earth) ⚡			1 (Requires Earth) ⚡		
Max Load	10A			10A		
Warranty	5 Years Replacement*			5 Years Replacement*		

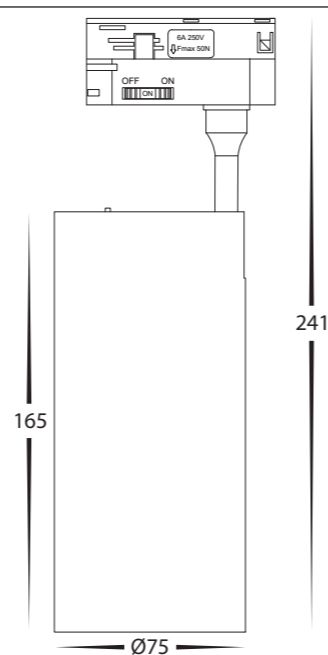
### HCP-1021014 + HCP-1031014 Dimensions



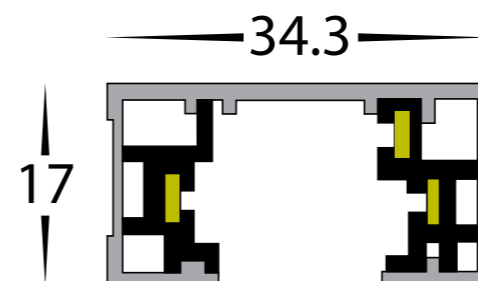
### HCP-1022004 + HCP-1032004 Dimensions



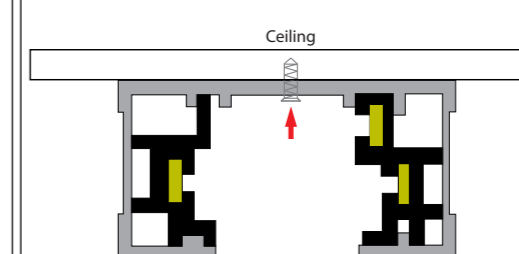
### HCP-1023004 + HCP-1033004 Dimensions



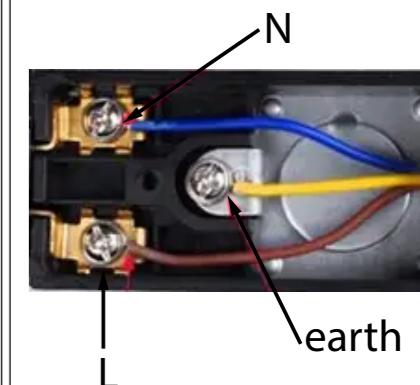
### Dimensions



### Installation Diagram



### Wiring Diagram



### Steps for Installation:

1. Make sure that the electrical circuit is free of voltage (master switch off)
2. Remove cover from live end and set aside
3. Insert Cables into live end and screw track into place using appropriate screws for application.
4. Connect earth cable first then Live and Neutral cables
5. Reattach cover to Live end
6. All connections must be carried out carefully, inspect all contacts before switching back on the electric circuit.

### Important Safety Issues:

- This product must be installed by a qualified electrician according to AS/NZS 3000.
- Ensure all electrical mains are disconnected before any installation.
- Modification of this product will void any warranty.
- Havit Commercial does not take responsibility for wrong installation, incorrect use, or use of installation material that does not belong to the system.
- Aluminium and 304SS fittings must not be installed within 5km of any salt water environments.
- This form may be updated at any time due to product improvements, please check online installation form for most current version.

### Steps for Installation:

1. Make sure that the electrical circuit is free of voltage (master switch off)
2. Slide locking pin on base to open position
3. Insert track light into track making sure connection points are on correct side of track
4. Slide locking pin into closed position
5. Fitting is set to 3000k, while fitting is switched off slide switch on back of head to desired colour temperature.
6. Direct light fitting to desired position by twisting left and right or up and down making sure not to twist too far to avoid damaging fitting.
7. Repeat these steps if more than 1 fitting is being installed
8. All connections must be carried out carefully, inspect all contacts before switching back on the electric circuit.

### Steps for Installation of Coloured Inner Ring:

1. Make sure that the electrical circuit is free of voltage (master switch off)
2. Remove inner ring from fitting by Twisting anti clockwise
3. Insert new coloured inner ring by twisting clockwise.

### Steps for Installation of Honeycomb Lens:

1. Make sure that the electrical circuit is free of voltage (master switch off)
2. Remove inner ring from fitting by Twisting anti clockwise
3. Insert Honeycomb lens
4. Insert new coloured inner ring by twisting clockwise.

**Must be installed by a licensed electrician**

### Contact Details:

8/133 Beauchamp Road  
Matraville NSW 2036  
Australia  
Tel: 02 9381 8383  
Email: sales@havitcommercial.com.au  
Web: www.havitcommercial.com.au

### Warranty Terms & Conditions\*



[www.havitcommercial.com.au](http://www.havitcommercial.com.au)

