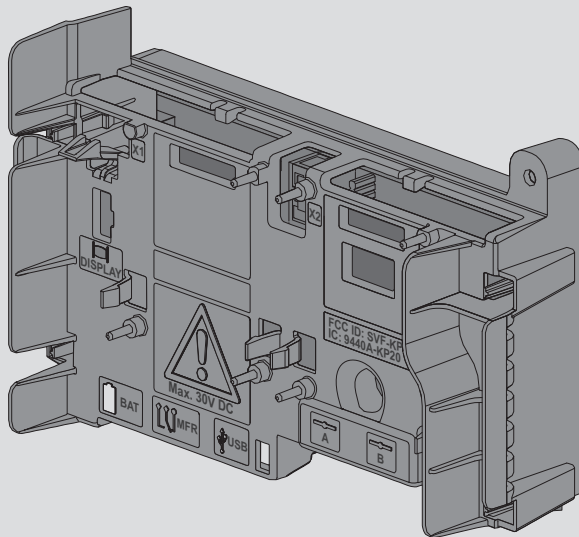


# Communication assembly

for STP 50-40 / STP 50-JP-40 / STP 50-US-40 / STP xx-US-41



|          |  |    |
|----------|--|----|
| ENGLISH  | Replacement Manual.....                | 3  |
| DEUTSCH  | Austauschanleitung.....                | 15 |
| ESPAÑOL  | Instrucciones para la sustitución..... | 27 |
| FRANÇAIS | Instructions de remplacement.....      | 39 |
| ITALIANO | Istruzioni per la sostituzione .....   | 51 |

# Table of Contents

- 1 Information on this Document ..... 4**
  - 1.1 Validity ..... 4
  - 1.2 Target Group ..... 4
  - 1.3 Content and Structure of this Document ..... 4
  - 1.4 Levels of warning messages ..... 4
  - 1.5 Symbols in the Document ..... 4
  - 1.6 Typographies in the document ..... 5
  - 1.7 Designation in the document ..... 5
  
- 2 Safety ..... 5**
  - 2.1 Intended Use ..... 5
  - 2.2 IMPORTANT SAFETY INSTRUCTIONS..... 6
  
- 3 Scope of Delivery ..... 7**
  
- 4 Removing the Communication Assembly..... 8**
  
- 5 Installing the Communication Assembly ..... 11**
  
- 6 Attaching the enclosure lid before mounting the DC-  
Connection Unit ..... 12**
  
- 7 Packing and Returning the Defective Assembly / Disposing  
of the Defective Assembly ..... 12**
  
- 8 Contact ..... 12**

# 1 Information on this Document

## 1.1 Validity

This document is valid for:

- NR-PC-KP20L.BG1 (retrofit kit with assembly PC-KP20.BG1-xx.xx) for STP 50-40, STP 50-JP-40 and STP 50-US-40
- NR-PL-KP20-41-1 (retrofit kit with assembly PC-KP20.BG1-xx.xx) for STP33-US-41, STP50-US-41 and STP62-US-41

## 1.2 Target Group

The tasks described in this document must only be performed by qualified persons. Qualified persons must have the following skills:

- Knowledge of how an inverter works and is operated
- Training in the installation and commissioning of electrical devices and installations
- Knowledge of all applicable laws, standards and directives




## 1.3 Content and Structure of this Document

This document describes how to replace components.


Illustrations in this document are reduced to the essential information and may deviate from the real product.


## 1.4 Levels of warning messages

The following levels of warning messages may occur when handling the product.

|  |
|--|
|  <b>DANGER</b>    |
| Indicates a hazardous situation which, if not avoided, will result in death or serious injury.     |
|  <b>WARNING</b> |
| Indicates a hazardous situation which, if not avoided, could result in death or serious injury.    |
|  <b>CAUTION</b> |
| Indicates a hazardous situation which, if not avoided, could result in minor or moderate injury.   |
| <b>NOTICE</b>  |
| Indicates a situation which, if not avoided, can result in property damage.                        |

## 1.5 Symbols in the Document

| Symbol  | Explanation  |
|---|--|
|  | Information that is important for a specific topic or goal, but is not safety-relevant |

| Symbol  | Explanation   |
|---|---|
| <input type="checkbox"/>  | Indicates a requirement for meeting a specific goal |
| <input checked="" type="checkbox"/>   | Desired result                                      |
| <b>x</b>  | A problem that might occur                          |
|  | Example   |

## 1.6 Typographies in the document

| Typography        | Use  | Example   |
|-------------------|--|---|
| <b>bold</b>       | <ul style="list-style-type: none"> <li>Messages</li> <li>Terminals</li> <li>Elements on a user interface</li> <li>Elements to be selected</li> <li>Elements to be entered</li> </ul> | <ul style="list-style-type: none"> <li>Connect the insulated conductors to the terminals <b>X703:1</b> to <b>X703:6</b>.</li> <li>Enter <b>10</b> in the field <b>Minutes</b>.</li> </ul> |
| >                 | <ul style="list-style-type: none"> <li>Connects several elements to be selected</li> </ul>   | <ul style="list-style-type: none"> <li>Select <b>Settings &gt; Date</b>.</li> </ul>   |
| [Button]<br>[Key] | <ul style="list-style-type: none"> <li>Button or key to be selected or pressed</li> </ul>  | <ul style="list-style-type: none"> <li>Select <b>[Enter]</b>.</li> </ul>  |

## 1.7 Designation in the document

| Complete designation    | Designation in this document |
|-------------------------|------------------------------|
| Sunny Tripower CORE1-US | Inverter, product            |

# 2 Safety

## 2.1 Intended Use

The product must only be installed in the following SMA inverters:

- STP 50-40 (Sunny Tripower CORE1)
- STP 50-JP-40 (Sunny Tripower CORE1-JP)
- STP 50-US-40 (Sunny Tripower CORE1-US)
- STP 33-US-41 (Sunny Tripower CORE1-US)
- STP 50-US-41 (Sunny Tripower CORE1-US)
- STP 62-US-41 (Sunny Tripower CORE1-US)

Use this product only in accordance with the information provided in the enclosed documentation and with the locally applicable laws, regulations, standards and directives. Any other application may cause personal injury or property damage.

Alterations to the product, e.g. changes or modifications, are only permitted with the express written permission of SMA. Unauthorized alterations will void guarantee and warranty claims and in most cases terminate the operating license. SMA shall not be held liable for any damage caused by such changes.

Any use of the product other than that described in the Intended Use section does not qualify as the intended use.

The enclosed documentation is an integral part of this product. Keep the documentation in a convenient place for future reference and observe all instructions contained therein.

This document does not replace and is not intended to replace any local, state, provincial, federal or national laws, regulations or codes applicable to the installation, electrical safety and use of the product. SMA assumes no responsibility for the compliance or non-compliance with such laws or codes in connection with the installation of the product.

If the replacement and all activities stated in this document are carried out by persons who are not qualified within the meaning of this documentation, this will void the guarantee and warranty claims and in most cases terminate the operating permit. SMA shall not be held liable for any damage caused directly or indirectly due to such changes by unauthorized persons.

## 2.2 IMPORTANT SAFETY INSTRUCTIONS

### SAVE THESE INSTRUCTIONS

This section contains safety information that must be observed at all times when working on or with the product.

The product has been designed and tested in accordance with international safety requirements. As with all electrical or electronical devices, there are residual risks despite careful construction. To prevent personal injury and property damage and to ensure long-term operation of the product, read this section carefully and observe all safety information at all times.

### DANGER

#### **Danger to life due to electric shock when live components or cables of the inverter are touched**

High voltages are present in the conductive components or cables of the inverter. Touching live parts and cables of the inverter results in death or lethal injuries due to electric shock.

- Disconnect the inverter from voltage sources and make sure it cannot be reconnected before working on the device.
- Wear suitable personal protective equipment for all work on the product.
- Do not touch non-insulated parts or cables.

**⚠ DANGER****Danger to life due to electric shock when live components or DC cables are touched**

When exposed to sunlight, the PV modules generate high DC voltage which is present in the DC cables. Touching live DC cables results in death or lethal injuries due to electric shock.

- Disconnect the inverter from voltage sources and make sure it cannot be reconnected before working on the device.
- Do not touch non-insulated parts or cables.
- Wear suitable personal protective equipment for all work on the product.

**⚠ DANGER****Danger to life due to electric shock when touching live system components in case of a ground fault**

If a ground fault occurs, parts of the system may still be live. Touching live parts and cables results in death or lethal injuries due to electric shock.

- Disconnect the inverter from voltage sources and make sure it cannot be reconnected before working on the device.

**⚠ CAUTION****Risk of burns due to hot enclosure parts**

The enclosure and the enclosure lid may get hot during operation. The DC load-break switch can not become hot.

- Do not touch hot surfaces.
- Wait until the inverter has cooled down before touching the enclosure or enclosure lid.

**NOTICE****Damage to the enclosure seal in subfreezing conditions**

If you open the inverter when temperatures are below freezing, the enclosure seals can be damaged. This can lead to moisture entering the inverter.

- Only open the inverter if the ambient temperature is not below  $-5^{\circ}\text{C}$  ( $23^{\circ}\text{F}$ ).
- If a layer of ice has formed on the enclosure seal when temperatures are below freezing, remove it prior to opening the inverter (e.g. by melting the ice with warm air). Observe the applicable safety regulations.

### 3 Scope of Delivery

Check the scope of delivery for completeness and any externally visible damage. Contact your distributor if the scope of delivery is incomplete or damaged.

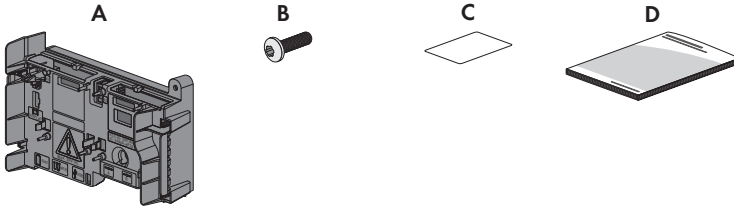


Figure 1 : Components included in the scope of delivery

| Position | Quantity | Designation  |
|----------|----------|--|
| A        | 1        | Communication assembly <ul style="list-style-type: none"> <li>• NR-PC-KP20L.BG1 for STP 50-40, STP 50-JP-40 and STP 50-US-40</li> <li>• NR-PL-KP20-41-1 for STP xxx-US-41</li> </ul> |
| B        | 3        | Bolt M4 x 15   |
| C        | 1        | New label with details for registration in Sunny Portal and the WLAN password (WPA2-PSK) for direct connection to the inverter user interface via WLAN                               |
| D        | 1        | Documentation  |

## 4 Removing the Communication Assembly

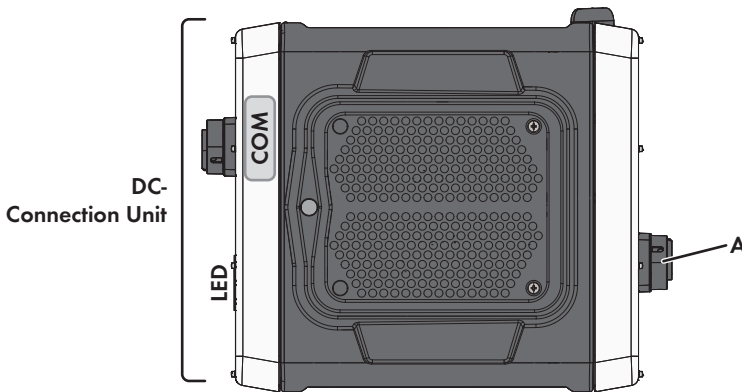


Figure 2 : Position of the communication assembly

| Position | Designation   |
|----------|---|
| A        | AC switch, only included in STP-50-US-40, STP-33-US-41, STP-50-US-41 and STP-62-US-41 |

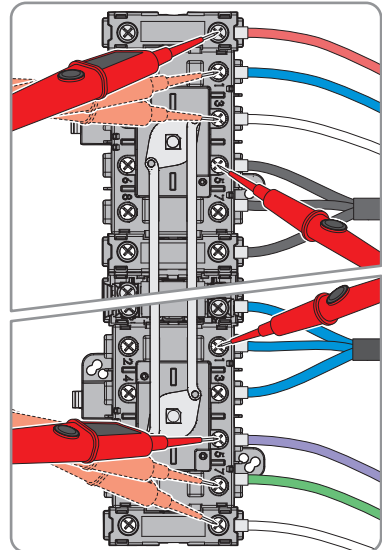


**Additionally required aid:**

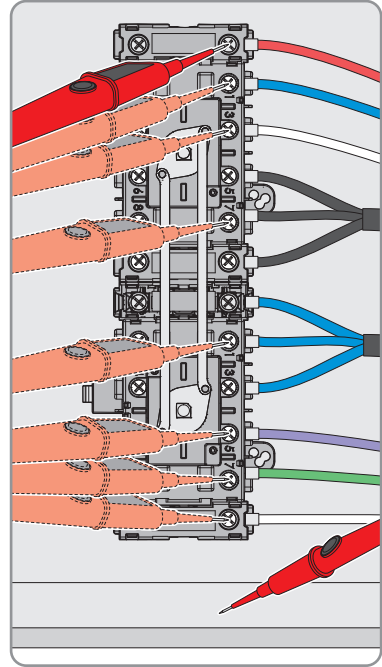
- 2-pole voltage detector that does not have its own voltage source

**Procedure:**

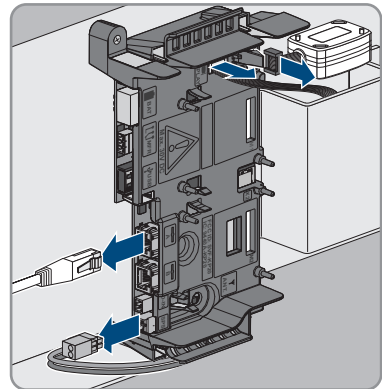
1. Disconnect the inverter from voltage sources (at [www.SMA-Solar.com](http://www.SMA-Solar.com)).
2. Make a note of the position of the DC field plugs.
3. Release and remove the DC field plugs.
4. Remove the enclosure lid of the DC-Connection Unit (TX25) by pulling it towards the front.
5. Discharge the DC Connection Unit at the contact points using a voltage detector without intrinsic voltage source. When doing so, ensure that the residual voltage is less than 5 V.
  - On the right-hand side of the DC switch, each pair of contacts DC+ against each contact DC- (red, blue and white conductor against 1 black conductor; gray, green and lilac conductor against 1 blue conductor)



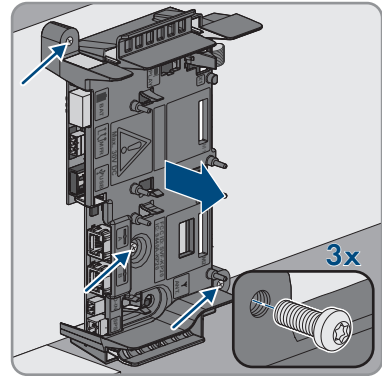
- On the right-hand side of the DC switch, each contact DC+ and DC- against the grounding conductor (red, blue, white, black, gray, green, lilac and blue conductor against grounding conductor)



6. Ground yourself prior to replacing the assembly to prevent ESD damage.
7. If necessary, remove the communication modules (see the manual of the communication module).
8. Remove the cable tie from the ferrite of the ribbon cable **X1**.
9. Remove all plugs from the used sockets of the communication assembly.

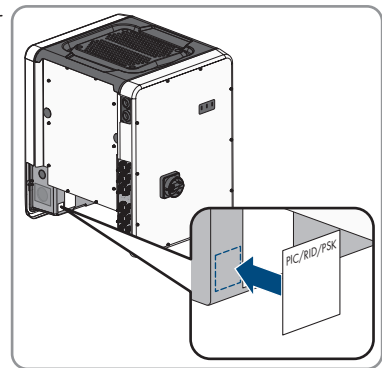


- Remove the three screws of the communication assembly (TX20), remove the communication assembly and dispose of the screws.



## 5 Installing the Communication Assembly

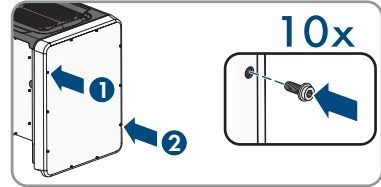
- Insert the new communication assembly in the DC Connection Unit.
- Fasten the communication assembly using the three screws included in the scope of delivery (TX20, torque:  $3.5 \text{ Nm} \pm 0.5 \text{ Nm}$  ( $30.98 \text{ in-lb} \pm 4.43 \text{ in-lb}$ )).
- Insert all plugs into the respective sockets of the communication assembly.
- If necessary, install the communication modules (see the manual of the communication module).
- Attach the enclosure lid before mounting the DC-Connection Unit (see Section 6, page 12).
- Commission the inverter without integration into the local network (see inverter manual). It can take up to 15 minutes before the new assembly has synchronized with the inverter. It can also be that an inverter update is performed.
- Update the inverter network settings and integrate the inverter into the local network (see inverter manual).
- Stick the label provided in the scope of delivery over the existing label next to the type label.



- If necessary, reconfigure the communication modules. For this, start the installation wizard via the user interface of the inverter (see manual of the inverter).

## 6 Attaching the enclosure lid before mounting the DC-Connection Unit

1. Ensure that all connections for the replaced assembly have been made correctly.
2. Ensure that the DC load-break switch is turned to position **O**.
3. Position the enclosure lid of the DC-Connection Unit on the DC-Connection Unit and first tighten the upper-left and lower-right screws, and then the remaining screws crosswise (TX 25, torque: 6 Nm (53 in-lb)).



4. Commission the inverter (see inverter manual at [www.SMA-Solar.com](http://www.SMA-Solar.com)).

## 7 Packing and Returning the Defective Assembly / Disposing of the Defective Assembly

If the defective assembly is to be returned, this will be stated on the order form.

### Procedure:

1. If the defective assembly is to be returned:
  - Pack the defective assembly for shipping. Use the original packaging for this, or packaging that is suitable for the weight and size of the assembly.
  - Organize the return shipment to SMA. To do this, contact Service (refer to [www.SMA-Solar.com](http://www.SMA-Solar.com) for contact details).
2. If the assembly is not to be returned, dispose of the assembly in accordance with the locally applicable disposal regulations for electronic waste.

## 8 Contact

- Device type
- Serial number
- Optional equipment, e.g. communication products
- Detailed description of the problem

|                    |   |                |   |
|--------------------|---|----------------|---|
| Deutschland        | SMA Solar Technology AG   | Belgien        | SMA Benelux BVBA/SPRL   |
| Österreich         | Niestetal   | Belgique       | Mechelen  |
| Schweiz            | Sunny Boy, Sunny Mini Central,<br>Sunny Tripower:<br>+49 561 9522-1499<br>Monitoring Systems<br>(Kommunikationsprodukte):<br>+49 561 9522-2499<br>Hybrid Controller<br>(PV-Diesel-Hybridsysteme):<br>+49 561 9522-3199<br>Sunny Island, Sunny Boy Storage,<br>Sunny Backup:<br>+49 561 9522-399<br>Sunny Central, Sunny Central Storage:<br>+49 561 9522-299<br>SMA Online Service Center:<br>www.SMA-Service.com | België         | +32 15 286 730  |
|                    |   | Luxemburg      | SMA Online Service Center:<br>www.SMA-Service.com   |
|                    |   | Luxembourg     |   |
|                    |   | Nederland      |   |
|                    |   | Česko          | SMA Service Partner TERMS<br>a.s.   |
|                    |   | Magyarország   | +420 387 6 85 111   |
|                    |   | Slovensko      | SMA Online Service Center:<br>www.SMA-Service.com   |
|                    |   | Türkiye        | SMA Service Partner DEKOM<br>Ltd. Şti.<br>+90 24 22430605<br>SMA Online Service Center:<br>www.SMA-Service.com                      |
| France             | SMA France S.A.S.<br>Lyon<br>+33 472 22 97 00<br>SMA Online Service Center :<br>www.SMA-Service.com   | Ελλάδα         | SMA Service Partner AKTOR<br>FM.<br>Αθήνα<br>+30 210 8184550<br>SMA Online Service Center:<br>www.SMA-Service.com                   |
|                    |   | Κύπρος         |   |
| España<br>Portugal | SMA Ibérica Tecnología Solar,<br>S.L.U.<br>Barcelona<br>+34 935 63 50 99<br>SMA Online Service Center:<br>www.SMA-Service.com   | United Kingdom | SMA Solar UK Ltd.<br>Milton Keynes<br>+44 1908 304899<br>SMA Online Service Center:<br>www.SMA-Service.com                          |
| Italia             | SMA Italia S.r.l.<br>Milano<br>+39 02 8934-7299<br>SMA Online Service Center:<br>www.SMA-Service.com  | Australia      | SMA Australia Pty Ltd.<br>Sydney<br>Toll free for Australia:<br>1800 SMA AUS<br>(1800 762 287)<br>International:<br>+61 2 9491 4200 |

|                      |  |                                      |  |
|----------------------|--|--------------------------------------|--|
| United Arab Emirates | SMA Middle East LLC<br>Abu Dhabi<br>+971 2234 6177<br>SMA Online Service Center:<br><a href="http://www.SMA-Service.com">www.SMA-Service.com</a>   | India                                | SMA Solar India Pvt. Ltd.<br>Mumbai<br>+91 22 61713888       |
| ไทย                  | SMA Solar (Thailand) Co., Ltd.<br>กรุงเทพฯ<br>+66 2 670 6999   | 대한민국                                 | SMA Technology Korea Co., Ltd.<br>서울<br>+82-2-520-2666       |
| South Africa         | SMA Solar Technology South Africa Pty Ltd.<br>Cape Town<br>08600SUNNY (08600 78669)<br>International: +27 (0)21 826 0699<br>SMA Online Service Center:<br><a href="http://www.SMA-Service.com">www.SMA-Service.com</a> | Argentina<br>Brasil<br>Chile<br>Perú | SMA South America SPA<br>Santiago de Chile<br>+562 2820 2101 |
| Other countries      | International SMA Service Line<br>Niestetal<br>00800 SMA SERVICE<br>(+800 762 7378423)<br>SMA Online Service Center:<br><a href="http://www.SMA-Service.com">www.SMA-Service.com</a>                                   |                                      |  |

# Inhaltsverzeichnis

|          |  |           |
|----------|--|-----------|
| <b>1</b> | <b>Hinweise zu diesem Dokument.....</b>  | <b>16</b> |
| 1.1      | Gültigkeitsbereich.....  | 16        |
| 1.2      | Zielgruppe .....   | 16        |
| 1.3      | Inhalt und Struktur des Dokuments.....   | 16        |
| 1.4      | Warnhinweisstufen.....   | 16        |
| 1.5      | Symbole im Dokument.....   | 17        |
| 1.6      | Auszeichnungen im Dokument .....   | 17        |
| 1.7      | Benennungen im Dokument.....   | 17        |
| <b>2</b> | <b>Sicherheit.....</b>   | <b>17</b> |
| 2.1      | Bestimmungsgemäße Verwendung.....  | 17        |
| 2.2      | Wichtige Sicherheitshinweise .....   | 18        |
| <b>3</b> | <b>Lieferumfang.....</b>   | <b>20</b> |
| <b>4</b> | <b>Kommunikationsbaugruppe ausbauen .....</b>  | <b>21</b> |
| <b>5</b> | <b>Kommunikationsbaugruppe einbauen .....</b>  | <b>23</b> |
| <b>6</b> | <b>Gehäusedeckel der DC-Connection Unit montieren.....</b>                                 | <b>24</b> |
| <b>7</b> | <b>Defekte Baugruppe verpacken und zurücksenden /<br/>Defekte Baugruppe entsorgen.....</b> | <b>24</b> |
| <b>8</b> | <b>Kontakt.....</b>  | <b>25</b> |

# 1 Hinweise zu diesem Dokument

## 1.1 Gültigkeitsbereich

Dieses Dokument gilt für:

- NR-PC-KP20L.BG1 (Nachrüstsatz mit Baugruppe PC-KP20.BG1-xx.xx) für STP 50-40, STP 50-JP-40 und STP 50-US-40
- NR-PL-KP20-41-1 (Nachrüstsatz mit Baugruppe PC-KP20.BG1-xx.xx) für STP33-US-41, STP50-US-41 und STP62-US-41

## 1.2 Zielgruppe

Die in diesem Dokument beschriebenen Tätigkeiten dürfen nur Fachkräfte durchführen. Fachkräfte müssen über folgende Qualifikation verfügen:

- Kenntnis über Funktionsweise und Betrieb eines Wechselrichters
- Ausbildung für die Installation und Inbetriebnahme von elektrischen Geräten und Anlagen
- Kenntnis der einschlägigen Gesetze, Normen und Richtlinien

## 1.3 Inhalt und Struktur des Dokuments

Dieses Dokument beschreibt den Austausch von Komponenten.

Abbildungen in diesem Dokument sind auf die wesentlichen Details reduziert und können vom realen Produkt abweichen.

## 1.4 Warnhinweisstufen

Die folgenden Warnhinweisstufen können im Umgang mit dem Produkt auftreten.

### **GEFAHR**

Kennzeichnet einen Warnhinweis, dessen Nichtbeachtung unmittelbar zum Tod oder zu schweren Verletzungen führt.

### **WARNUNG**

Kennzeichnet einen Warnhinweis, dessen Nichtbeachtung zum Tod oder zu schweren Verletzungen führen kann.

### **VORSICHT**



Kennzeichnet einen Warnhinweis, dessen Nichtbeachtung zu leichten oder mittleren Verletzungen führen kann.

### **ACHTUNG**

Kennzeichnet einen Warnhinweis, dessen Nichtbeachtung zu Sachschäden führen kann.



## 1.5 Symbole im Dokument

| Symbol  | Erklärung   |
|---|---|
|  | Information, die für ein bestimmtes Thema oder Ziel wichtig, aber nicht sicherheitsrelevant ist |
| <input type="checkbox"/>  | Voraussetzung, die für ein bestimmtes Ziel gegeben sein muss                                    |
| <input checked="" type="checkbox"/>   | Erwünschtes Ergebnis  |
| <b>x</b>  | Möglicherweise auftretendes Problem   |
|  | Beispiel  |

## 1.6 Auszeichnungen im Dokument

| Auszeichnung              | Verwendung  | Beispiel  |
|---------------------------|---|---|
| <b>fett</b>               | <ul style="list-style-type: none"> <li>Meldungen</li> <li>Anschlüsse</li> <li>Elemente auf einer Benutzeroberfläche</li> <li>Elemente, die Sie auswählen sollen</li> <li>Elemente, die Sie eingeben sollen</li> </ul> | <ul style="list-style-type: none"> <li>Adern an die Anschlussklemmen <b>X703:1</b> bis <b>X703:6</b> anschließen.</li> <li>Im Feld <b>Minuten</b> den Wert <b>10</b> eingeben.</li> </ul> |
| <b>&gt;</b>               | <ul style="list-style-type: none"> <li>Verbindet mehrere Elemente, die Sie auswählen sollen</li> </ul>  | <ul style="list-style-type: none"> <li><b>Einstellungen &gt; Datum</b> wählen.</li> </ul>   |
| [Schaltfläche]<br>[Taste] | <ul style="list-style-type: none"> <li>Schaltfläche oder Taste, die Sie wählen oder drücken sollen</li> </ul>   | <ul style="list-style-type: none"> <li>[Enter] wählen.</li> </ul>   |

## 1.7 Benennungen im Dokument

| Vollständige Benennung  | Benennung in diesem Dokument |
|-------------------------|------------------------------|
| Sunny Tripower CORE1-US | Wechselrichter, Produkt      |

# 2 Sicherheit

## 2.1 Bestimmungsgemäße Verwendung

Das Produkt darf ausschließlich in folgende SMA Wechselrichter eingebaut werden:

- STP 50-40 (Sunny Tripower CORE1)
- STP 50-JP-40 (Sunny Tripower CORE1-JP)
- STP 50-US-40 (Sunny Tripower CORE1-US)

- STP 33-US-41 (Sunny Tripower CORE1-US)
- STP 50-US-41 (Sunny Tripower CORE1-US)
- STP 62-US-41 (Sunny Tripower CORE1-US)

Setzen Sie das Produkt ausschließlich nach den Angaben der beigefügten Dokumentationen und gemäß der vor Ort gültigen Gesetze, Bestimmungen, Vorschriften und Normen ein. Ein anderer Einsatz kann zu Personen- oder Sachschäden führen.

Eingriffe in das Produkt, z. B. Veränderungen und Umbauten, sind nur mit ausdrücklicher schriftlicher Genehmigung von SMA gestattet. Nicht autorisierte Eingriffe führen zum Wegfall der Garantie- und Gewährleistungsansprüche sowie in der Regel zum Erlöschen der Betriebserlaubnis. Die Haftung von SMA für Schäden aufgrund solcher Eingriffe ist ausgeschlossen.

Jede andere Verwendung des Produkts als in der bestimmungsgemäßen Verwendung beschrieben gilt als nicht bestimmungsgemäß.

Die beigefügten Dokumentationen sind Bestandteil des Produkts. Die Dokumentationen müssen gelesen, beachtet und jederzeit zugänglich aufbewahrt werden.

Dieses Dokument ersetzt keine regionalen, Landes-, Provinz-, bundesstaatlichen oder nationalen Gesetze sowie Vorschriften oder Normen, die für die Installation und die elektrische Sicherheit und den Einsatz des Produkts gelten. SMA übernimmt keine Verantwortung für die Einhaltung bzw. Nichteinhaltung dieser Gesetze oder Bestimmungen im Zusammenhang mit der Installation des Produkts.

Werden der Austausch und sämtliche in diesem Dokument genannten Tätigkeiten durch Personen durchgeführt, die keine Fachkräfte im Sinne dieser Dokumentation sind, so führt dies zum Wegfall der Garantie- und Gewährleistungsansprüche sowie in der Regel zum Erlöschen der Betriebserlaubnis. Jegliche Haftung von SMA für Schäden, die aufgrund solcher Eingriffe durch nicht autorisierte Personen direkt oder indirekt entstehen, ist ausgeschlossen.

## 2.2 Wichtige Sicherheitshinweise

Anleitung aufbewahren

Dieses Kapitel beinhaltet Sicherheitshinweise, die bei allen Arbeiten an und mit dem Produkt immer beachtet werden müssen.

Das Produkt wurde gemäß internationaler Sicherheitsanforderungen entworfen und getestet. Trotz sorgfältiger Konstruktion bestehen, wie bei allen elektrischen oder elektronischen Geräten, Restrisiken. Um Personen- und Sachschäden zu vermeiden und einen dauerhaften Betrieb des Produkts zu gewährleisten, lesen Sie dieses Kapitel aufmerksam und befolgen Sie zu jedem Zeitpunkt alle Sicherheitshinweise.

**! GEFAHR****Lebensgefahr durch Stromschlag beim Berühren spannungsführender Teile oder Kabel des Wechselrichters**

An spannungsführenden Teilen oder Kabeln des Wechselrichters liegen hohe Spannungen an. Das Berühren spannungsführender Teile oder Kabel des Wechselrichters führt zum Tod oder zu lebensgefährlichen Verletzungen durch Stromschlag.

- Vor Arbeiten den Wechselrichter spannungsfrei schalten und gegen Wiedereinschalten sichern.
- Bei allen Arbeiten geeignete persönliche Schutzausrüstung tragen.
- Keine freiliegenden spannungsführenden Teile oder Kabel berühren.

**! GEFAHR****Lebensgefahr durch Stromschlag beim Berühren spannungsführender DC-Kabel**

Die PV-Module erzeugen bei Lichteinfall hohe Gleichspannung, die an den DC-Kabeln anliegt. Das Berühren spannungsführender DC-Kabel führt zum Tod oder zu lebensgefährlichen Verletzungen durch Stromschlag.

- Vor Arbeiten den Wechselrichter spannungsfrei schalten und gegen Wiedereinschalten sichern.
- Keine freiliegenden spannungsführenden Teile oder Kabel berühren.
- Bei allen Arbeiten geeignete persönliche Schutzausrüstung tragen.

**! GEFAHR****Lebensgefahr durch Stromschlag beim Berühren unter Spannung stehender Anlagenteile bei einem Erdschluss**

Bei einem Erdschluss können Anlagenteile unter Spannung stehen. Das Berühren spannungsführender Teile oder Kabel führt zum Tod oder zu lebensgefährlichen Verletzungen durch Stromschlag.

- Vor Arbeiten den Wechselrichter spannungsfrei schalten und gegen Wiedereinschalten sichern.

**! VORSICHT****Verbrennungsgefahr durch heiße Gehäuseteile**

Während des Betriebs können das Gehäuse und die Gehäusedeckel heiß werden. Der DC-Lasttrennschalter kann nicht heiß werden.

- Heiße Oberflächen nicht berühren.
- Vor Berühren des Gehäuses oder der Gehäusedeckel warten, bis der Wechselrichter abgekühlt ist.

**ACHTUNG****Beschädigung der Gehäusedichtung bei Frost**

Wenn Sie den Wechselrichter bei Frost öffnen, kann die Gehäusedichtung beschädigt werden. Dadurch kann Feuchtigkeit in den Wechselrichter eindringen und den Wechselrichter beschädigen.

- Den Wechselrichter nur öffnen, wenn die Umgebungstemperatur  $-5\text{ °C}$  ( $23\text{ °F}$ ) nicht unterschreitet.
- Wenn der Wechselrichter bei Frost geöffnet werden muss, vor dem Öffnen des Wechselrichters eine mögliche Eisbildung an der Gehäusedichtung beseitigen (z. B. durch Abschmelzen mit warmer Luft). Dabei entsprechende Sicherheitsvorschriften beachten.

**3 Lieferumfang**

Prüfen Sie den Lieferumfang auf Vollständigkeit und äußerlich sichtbare Beschädigungen. Setzen Sie sich bei unvollständigem Lieferumfang oder Beschädigungen mit Ihrem Fachhändler in Verbindung.

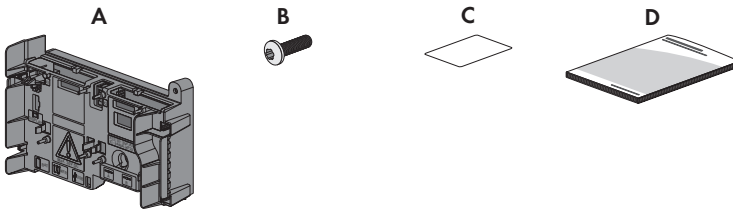


Abbildung 1 : Bestandteile des Lieferumfangs

| Position | Anzahl | Bezeichnung   |
|----------|--------|---|
| A        | 1      | Kommunikationsbaugruppe <ul style="list-style-type: none"> <li>• NR-PC-KP20L.BG1 für STP 50-40, STP 50-JP-40 und STP 50-US-40</li> <li>• NR-PL-KP20-41-1 für STP xxx-US-41</li> </ul> |
| B        | 3      | Schraube M4x15  |
| C        | 1      | Neuer Aufkleber mit Angaben für die Registrierung im Sunny Portal und dem WLAN-Passwort (WPA2-PSK) für die direkte Verbindung zur Benutzeroberfläche des Wechselrichters via WLAN     |
| D        | 1      | Dokumentation   |

## 4 Kommunikationsbaugruppe ausbauen

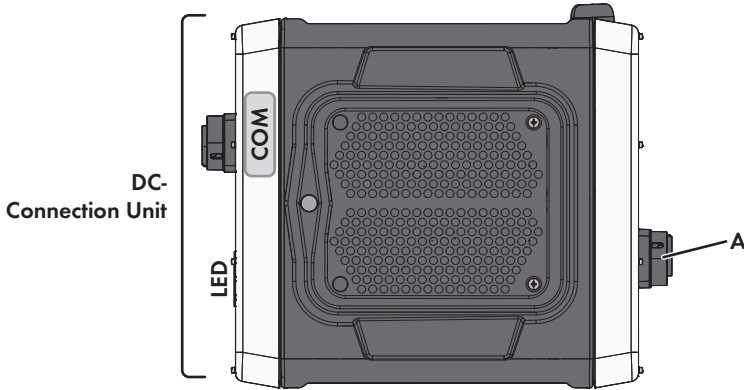


Abbildung 2 : Position der Kommunikationsbaugruppe

| Position | Bezeichnung  |
|----------|--|
| A        | AC-Schalter, ausschließlich in STP-50-US-40, STP-33-US-41, STP-50-US-41 und STP-62-US-41 vorhanden |

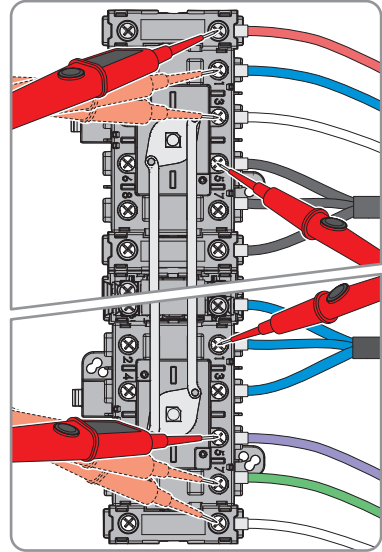
### Zusätzlich benötigtes Hilfsmittel:

- 2-poliger Spannungsprüfer ohne eigene Spannungsquelle

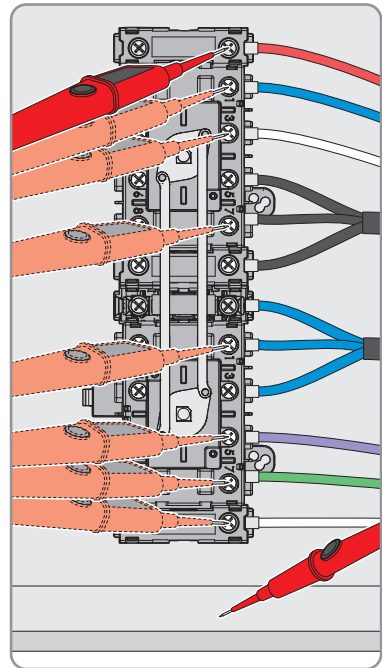
### Vorgehen:

1. Den Wechselrichter spannungsfrei schalten (siehe Anleitung des Wechselrichters unter [www.SMA-Solar.com](http://www.SMA-Solar.com)).
2. Die Position der DC-Feldstecker notieren.
3. Die DC-Feldstecker entriegeln und abziehen.
4. Den Gehäusedeckel an der DC-Connection Unit entfernen (TX25) und den Gehäusedeckel nach vorne abnehmen.
5. Die DC-Connection Unit mit einem Spannungsprüfer ohne eigene Spannungsquelle an den Kontaktpunkten entladen. Dabei sicherstellen, dass die Restspannung unter 5 V liegt.

- Auf der rechten Seite des DC-Schalters jedes Paar der Kontakte DC+ gegen jeden Kontakt DC- (den roten, blauen und weißen Leiter gegen 1 schwarzen Leiter sowie den grauen, grünen und lila Leiter gegen 1 blauen Leiter).

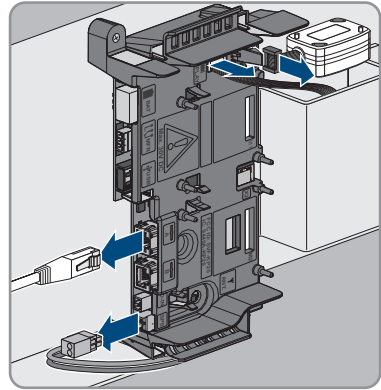


- Auf der rechten Seite des DC-Schalters jeden Kontakt DC+ und DC- gegen PE (die roten, blauen, weißen, schwarzen, grauen, grünen, lila und blauen Leiter gegen PE).

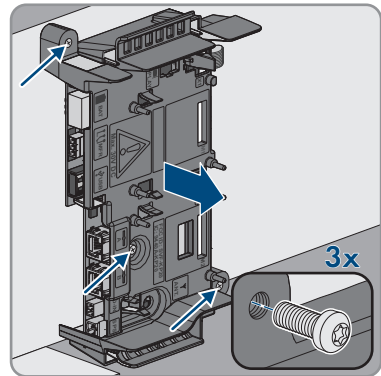


6. Erden Sie sich vor dem Tausch der Baugruppe, um ESD-Schäden zu vermeiden.

7. Gegebenenfalls Kommunikationsmodule ausbauen (siehe Anleitung des Kommunikationsmoduls).
8. Den Kabelbinder am Ferrit des Flachbandkabels **X1** entfernen.
9. Alle Stecker aus den verwendeten Buchsen der Kommunikationsbaugruppe abziehen.



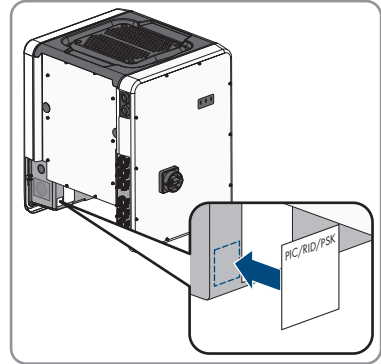
10. Die 3 Schrauben der Kommunikationsbaugruppe herausdrehen (TX20), die Kommunikationsbaugruppe herausnehmen und die Schrauben entsorgen.



## 5 Kommunikationsbaugruppe einbauen

1. Neue Kommunikationsbaugruppe in die DC-Connection Unit einsetzen.
2. Kommunikationsbaugruppe mit den 3 Schrauben aus dem Lieferumfang festschrauben (TX20, Drehmoment:  $3,5 \text{ Nm} \pm 0,5 \text{ Nm}$  ( $30,98 \text{ in-lb} \pm 4,43 \text{ in-lb}$ )).
3. Alle Stecker in die entsprechenden Buchsen der Kommunikationsbaugruppe stecken.
4. Gegebenenfalls Kommunikationsmodule einbauen (siehe Anleitung des Kommunikationsmoduls).
5. Den Gehäusedeckel vor der DC-Connection Unit montieren (siehe Kapitel 6, Seite 24).
6. Den Wechselrichter ohne Einbindung in das lokale Netzwerk in Betrieb nehmen (siehe Anleitung des Wechselrichters). Es kann 15 Minuten dauern, bis die neue Baugruppe sich mit dem Wechselrichter synchronisiert hat. Dabei kann auch ein Update des Wechselrichters durchgeführt werden.

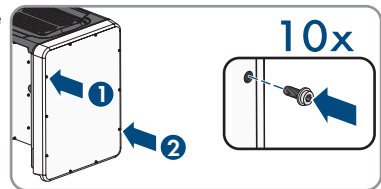
7. Die Netzwerkeinstellungen des Wechselrichters aktualisieren und den Wechselrichter in das lokale Netzwerk einbinden (siehe Anleitung des Wechselrichters).
8. Den mitgelieferten Aufkleber auf den vorhandenen Aufkleber neben dem Typenschild kleben.



9. Gegebenenfalls Kommunikationsmodule neu konfigurieren. Dazu den Installationsassistenten über die Benutzeroberfläche des Wechselrichters starten (siehe Anleitung des Wechselrichters).

## 6 Gehäusedeckel der DC-Connection Unit montieren

1. Sicherstellen, dass alle Anschlüsse der getauschten Baugruppe korrekt vorgenommen sind.
2. Sicherstellen, dass der DC-Lasttrennschalter auf Position **O** steht.
3. Den Gehäusedeckel der DC-Connection Unit auf die DC-Connection Unit setzen und zuerst die Schraube links oben und rechts unten und anschließend die übrigen Schrauben über Kreuz anziehen (TX25, Drehmoment: 6 Nm (53 in-lb)).



4. Den Wechselrichter in Betrieb nehmen (siehe Anleitung des Wechselrichters unter [www.SMA-Solar.com](http://www.SMA-Solar.com)).

## 7 Defekte Baugruppe verpacken und zurücksenden / Defekte Baugruppe entsorgen

Ob ein Rückversand der defekten Baugruppe erforderlich ist, entnehmen Sie dem Auftragsformular.

### Vorgehen:

1. Wenn die defekte Baugruppe zurückgesendet werden soll:
  - Die defekte Baugruppe für den Versand verpacken. Dabei die Originalverpackung oder eine Verpackung verwenden, die sich für Gewicht und Größe der Baugruppe eignet.



- Den Rückversand an SMA organisieren. Dazu den Service kontaktieren (Kontaktdaten siehe [www.SMA-Solar.com](http://www.SMA-Solar.com)).
2. Wenn die Baugruppe nicht zurückgesendet werden soll, die Baugruppe nach den vor Ort gültigen Entsorgungsvorschriften für Elektronikschrott entsorgen.

## 8 Kontakt

- Gerätetyp
- Seriennummer
- Optionale Ausstattung, z. B. Kommunikationsprodukte
- Detaillierte Problembeschreibung

|                    |   |                     |  |
|--------------------|---|---------------------|--|
| Deutschland        | SMA Solar Technology AG   | Belgien             | SMA Benelux BVBA/SPRL  |
| Österreich         | Niestetal   | Belgique            | Mechelen   |
| Schweiz            | Sunny Boy, Sunny Mini Central,<br>Sunny Tripower:<br>+49 561 9522-1499                      | België              | +32 15 286 730   |
|                    | Monitoring Systems<br>(Kommunikationsprodukte):<br>+49 561 9522-2499                        | Luxemburg           | SMA Online Service Center:<br><a href="http://www.SMA-Service.com">www.SMA-Service.com</a> |
|                    | Hybrid Controller<br>(PV-Diesel-Hybridssysteme):<br>+49 561 9522-3199                       | Luxembourg          |  |
|                    | Sunny Island, Sunny Boy Storage,<br>Sunny Backup:<br>+49 561 9522-399                       | Nederland           |  |
|                    | Sunny Central, Sunny Central<br>Storage:<br>+49 561 9522-299                                | Česko               | SMA Service Partner TERMS<br>a.s.  |
|                    | SMA Online Service Center:<br><a href="http://www.SMA-Service.com">www.SMA-Service.com</a>  | Magyarország        | +420 387 6 85 111  |
|                    |   | Slovensko           | SMA Online Service Center:<br><a href="http://www.SMA-Service.com">www.SMA-Service.com</a> |
|                    |   | Türkiye             | SMA Service Partner DEKOM<br>Ltd. Şti.<br>+90 24 22430605                                  |
|                    |   |                     | SMA Online Service Center:<br><a href="http://www.SMA-Service.com">www.SMA-Service.com</a> |
| France             | SMA France S.A.S.<br>Lyon<br>+33 472 22 97 00   | Ελλάδα              | SMA Service Partner AKTOR<br>FM.   |
|                    | SMA Online Service Center :<br><a href="http://www.SMA-Service.com">www.SMA-Service.com</a> | Κύπρος              | Αθήνα<br>+30 210 8184550   |
|                    |   |                     | SMA Online Service Center:<br><a href="http://www.SMA-Service.com">www.SMA-Service.com</a> |
| España<br>Portugal | SMA Ibérica Tecnología Solar,<br>S.L.U.<br>Barcelona<br>+34 935 63 50 99                    | United King-<br>dom | SMA Solar UK Ltd.<br>Milton Keynes<br>+44 1908 304899                                      |
|                    | SMA Online Service Center:<br><a href="http://www.SMA-Service.com">www.SMA-Service.com</a>  |                     | SMA Online Service Center:<br><a href="http://www.SMA-Service.com">www.SMA-Service.com</a> |

|                      |   |                                      |   |
|----------------------|---|--------------------------------------|---|
| Italia               | SMA Italia S.r.l.<br>Milano<br>+39 02 8934-7299<br>SMA Online Service Center:<br>www.SMA-Service.com  | Australia                            | SMA Australia Pty Ltd.<br>Sydney<br>Toll free for Australia:<br>1800 SMA AUS<br>(1800 762 287)<br>International:<br>+61 2 9491 4200 |
| United Arab Emirates | SMA Middle East LLC<br>Abu Dhabi<br>+971 2234 6177<br>SMA Online Service Center:<br>www.SMA-Service.com   | India                                | SMA Solar India Pvt. Ltd.<br>Mumbai<br>+91 22 61713888  |
| ไทย                  | SMA Solar (Thailand) Co., Ltd.<br>กรุงเทพฯ<br>+66 2 670 6999  | 대한민국                                 | SMA Technology Korea Co., Ltd.<br>서울<br>+82-2-520-2666  |
| South Africa         | SMA Solar Technology South Africa Pty Ltd.<br>Cape Town<br>08600SUNNY (08600 78669)<br>International: +27 (0)21 826 0699<br>SMA Online Service Center:<br>www.SMA-Service.com | Argentina<br>Brasil<br>Chile<br>Perú | SMA South America SPA<br>Santiago de Chile<br>+562 2820 2101  |
| Other countries      | International SMA Service Line<br>Niestetal<br>00800 SMA SERVICE<br>(+800 762 7378423)<br>SMA Online Service Center:<br>www.SMA-Service.com                                   |                                      |   |

# Índice

|          |  |           |
|----------|--|-----------|
| <b>1</b> | <b>Indicaciones sobre este documento .....</b>   | <b>28</b> |
| 1.1      | Área de validez.....   | 28        |
| 1.2      | Grupo de destinatarios.....  | 28        |
| 1.3      | Contenido y estructura del documento.....  | 28        |
| 1.4      | Niveles de advertencia.....  | 28        |
| 1.5      | Símbolos del documento .....   | 29        |
| 1.6      | Marcas de texto en el documento .....  | 29        |
| 1.7      | Denominación en el documento .....   | 29        |
| <b>2</b> | <b>Seguridad .....</b>   | <b>29</b> |
| 2.1      | Uso previsto.....  | 29        |
| 2.2      | Indicaciones importantes para la seguridad.....  | 30        |
| <b>3</b> | <b>Contenido de la entrega.....</b>  | <b>32</b> |
| <b>4</b> | <b>Desmontaje del subgrupo de comunicación.....</b>                                    | <b>33</b> |
| <b>5</b> | <b>Montaje del subgrupo de comunicación.....</b>                                       | <b>35</b> |
| <b>6</b> | <b>Montaje de la tapa de la carcasa de la Connection Unit CC</b>                       | <b>36</b> |
| <b>7</b> | <b>Embalaje y envío del subgrupo averiado/ Eliminación del subgrupo averiado .....</b> | <b>36</b> |
| <b>8</b> | <b>Contacto .....</b>  | <b>37</b> |

# 1 Indicaciones sobre este documento

## 1.1 Área de validez

Este documento es válido para:

- NR-PC-KP20L.BG1 (equipamiento adicional con subgrupo PC-KP20.BG1-xx.xx) para STP 50-40, STP 50-JP-40 y STP 50-US-40
- NR-PL-KP20-41-1 (equipamiento adicional con subgrupo PC-KP20.BG1-xx.xx) para STP33-US-41, STP50-US-41 y STP62-US-41

## 1.2 Grupo de destinatarios

Las actividades descritas en este documento deben realizarlas exclusivamente especialistas que han de contar con esta cualificación:

- Conocimientos sobre los procedimientos y el funcionamiento de un inversor
- Formación profesional para la instalación y la puesta en marcha de equipos eléctricos y plantas
- Conocimiento de las leyes, normativas y directivas aplicables

## 1.3 Contenido y estructura del documento

Este documento describe la sustitución de componentes.

Las imágenes en este documento han sido reducidas a lo esencial y pueden diferir del producto original.

## 1.4 Niveles de advertencia

Cuando se trate con el producto pueden darse estos niveles de advertencia.

### PELIGRO

Representa una advertencia que, de no ser observada, causa la muerte o lesiones físicas graves.

### ADVERTENCIA

Representa una advertencia que, de no ser observada, puede causar la muerte o lesiones físicas graves.



### ATENCIÓN

Representa una advertencia que, de no ser observada, puede causar lesiones físicas leves o de gravedad media.

### PRECAUCIÓN

Representa una advertencia que, de no ser observada, puede causar daños materiales.

## 1.5 Símbolos del documento

| Símbolo   | Explicación   |
|---|---|
|  | Información importante para un tema u objetivo concretos, aunque no relevante para la seguridad |
| <input type="checkbox"/>  | Requisito necesario para alcanzar un objetivo determinado                                       |
| <input checked="" type="checkbox"/>   | Resultado deseado   |
| <b>x</b>  | Posible problema  |
|  | Ejemplo   |

## 1.6 Marcas de texto en el documento

| Marca de texto     | Uso   | Ejemplo  |
|--------------------|---|--|
| <b>Negrita</b>     | <ul style="list-style-type: none"> <li>• Avisos</li> <li>• Conexiones</li> <li>• Elementos de una interfaz de usuario</li> <li>• Elementos que deben seleccionarse</li> <li>• Elementos que deben introducirse</li> </ul> | <ul style="list-style-type: none"> <li>• Conecte los conductores a los bornes de <b>X703:1</b> a <b>X703:6</b>.</li> <li>• Introduzca <b>10</b> en el campo <b>Minutos</b>.</li> </ul> |
| >                  | <ul style="list-style-type: none"> <li>• Une varios elementos que deben seleccionarse.</li> </ul>   | <ul style="list-style-type: none"> <li>• Seleccione <b>Ajustes &gt; Fecha</b>.</li> </ul>  |
| [Botón]<br>[Tecla] | <ul style="list-style-type: none"> <li>• Botones o teclas que deben seleccionarse o pulsarse</li> </ul>   | <ul style="list-style-type: none"> <li>• Seleccione [Enter].</li> </ul>  |

## 1.7 Denominación en el documento

| Denominación completa   | Denominación utilizada en este documento |
|-------------------------|--|
| Sunny Tripower CORE1-US | Inversor, producto                       |

# 2 Seguridad

## 2.1 Uso previsto

El producto se puede instalar únicamente en los siguientes inversores de SMA:

- STP 50-40 (Sunny Tripower CORE1)
- STP 50-JP-40 (Sunny Tripower CORE1-JP)

- STP 50-US-40 (Sunny Tripower CORE1-US)
- STP 33-US-41 (Sunny Tripower CORE1-US)
- STP 50-US-41 (Sunny Tripower CORE1-US)
- STP 62-US-41 (Sunny Tripower CORE1-US)

Utilice siempre el producto de acuerdo con las indicaciones de la documentación adjunta y observe las leyes, reglamentos, reglas y normas vigentes. Cualquier otro uso puede causarles lesiones al usuario o daños materiales.

Para realizar cualquier intervención en el producto, como modificaciones o remodelaciones, deberá contar con el permiso expreso y por escrito de SMA. Los cambios no autorizados conllevan la pérdida de los derechos de garantía, así como la extinción de la autorización de operación. Queda excluida la responsabilidad de SMA por los daños derivados de dichos cambios.

Cualquier uso del producto distinto al descrito en el uso previsto se considerará inadecuado.

La documentación adjunta es parte integrante del producto. La documentación debe leerse, observarse y guardarse en un lugar accesible en todo momento.

Este documento no sustituye en ningún caso a cualquier legislación, reglamento o norma regional, federal, provincial o estatal aplicables a la instalación, la seguridad eléctrica y el uso del producto. SMA no asume responsabilidad alguna relativa al cumplimiento o al incumplimiento de la legislación o las disposiciones relacionadas con la instalación del producto.

Si la sustitución y todas las actividades mencionadas en este documento las llevan a cabo personas que no son especialistas tal y como se supone en esta documentación, expirarán los derechos de garantía y, como norma general, se extinguirá la autorización de operación. Queda excluida cualquier responsabilidad de SMA ante daños causados directa o indirectamente como resultado de dicha intervención por parte de personas no autorizadas.

## 2.2 Indicaciones importantes para la seguridad

Conservar instrucciones

Este capítulo contiene indicaciones de seguridad que deben observarse siempre en todos los trabajos que se realizan en el producto y con el producto.

Este producto se ha construido en cumplimiento de los requisitos internacionales relativos a la seguridad. A pesar de estar cuidadosamente construidos, existe un riesgo residual como con todos los equipos eléctricos. Para evitar daños personales y materiales y garantizar el funcionamiento permanente del producto, lea detenidamente este capítulo y cumpla siempre las indicaciones de seguridad.

**⚠ PELIGRO****Peligro de muerte por descarga eléctrica por contacto con componentes conductores de tensión o cables del inversor**

En los componentes conductores o cables del inversor existen altas tensiones. El contacto con componentes conductores de tensión o cables del inversor puede causar la muerte o lesiones mortales por descarga eléctrica.

- Antes de cualquier trabajo, desconecte el inversor y asegure el producto contra cualquier reconexión accidental.
- Utilice un equipamiento de protección personal adecuado en todos los trabajos.
- No toque piezas o cables conductores de tensión descubiertos.

**⚠ PELIGRO****Peligro de muerte por descarga eléctrica por contacto con cables de CC conductores de tensión**

Cuando recibe luz, los módulos fotovoltaicos producen una alta tensión de CC que se acopla a los cables de CC. Tocar los cables de CC conductores de tensión puede causar la muerte o lesiones mortales por descarga eléctrica.

- Antes de cualquier trabajo, desconecte el inversor y asegure el producto contra cualquier reconexión accidental.
- No toque piezas o cables conductores de tensión descubiertos.
- Utilice un equipamiento de protección personal adecuado en todos los trabajos.

**⚠ PELIGRO****Peligro de muerte por descarga eléctrica si se tocan partes de la planta bajo tensión en caso de fallo a tierra**

En caso de fallo a tierra los componentes de la planta pueden estar bajo tensión. El contacto con componentes conductores de tensión o cables puede causar la muerte o lesiones mortales por descarga eléctrica.

- Antes de cualquier trabajo, desconecte el inversor y asegure el producto contra cualquier reconexión accidental.

**⚠ ATENCIÓN****Peligro de quemaduras por contacto con las partes calientes de la carcasa**

La carcasa y la tapa de la carcasa se pueden calentar durante el funcionamiento. El interruptor-seccionador de potencia de CC no puede calentarse.

- No tocar las superficies calientes.
- Antes de tocar la carcasa o la tapa de la carcasa, espere a que el inversor se haya enfriado.

**PRECAUCIÓN****Daños en la junta de la carcasa en caso de congelación**

Si abre el inversor en caso de congelación, puede dañarse la junta de la carcasa. Esto podría hacer que penetrara humedad en el inversor y que se dañara el inversor.

- Abra el inversor únicamente si la temperatura ambiente no es inferior a  $-5\text{ °C}$  ( $23\text{ °F}$ ).
- Si tiene que abrir el inversor en condiciones de congelación, elimine antes de hacerlo cualquier posible formación de hielo en la junta de la carcasa (por ejemplo, derritiéndolo con aire caliente). Al hacerlo, tenga en cuenta las normas de seguridad.

**3 Contenido de la entrega**

Compruebe que el contenido de la entrega esté completo y que no presente daños externos visibles. En caso de que no esté completo o presente daños, póngase en contacto con su distribuidor.

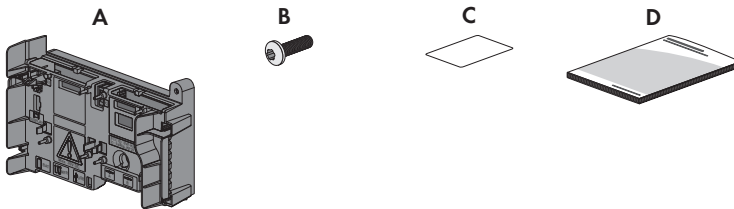


Imagen 1 : Componentes del contenido de la entrega

| Posición | Cantidad | Denominación   |
|----------|----------|--|
| A        | 1        | Subgrupo de comunicación <ul style="list-style-type: none"> <li>• NR-PC-KP20L.BG1 para STP 50-40, STP 50-JP-40 y STP 50-US-40</li> <li>• NR-PL-KP20-41-1 para STP xxx-US-41</li> </ul> |
| B        | 3        | Tornillo M4x15   |
| C        | 1        | Nuevo adhesivo con datos para el registro en Sunny Portal y la contraseña WLAN (WPA2-PSK) para la conexión directa con la interfaz de usuario del inversor mediante WLAN               |
| D        | 1        | Documentación  |



## 4 Desmontaje del subgrupo de comunicación

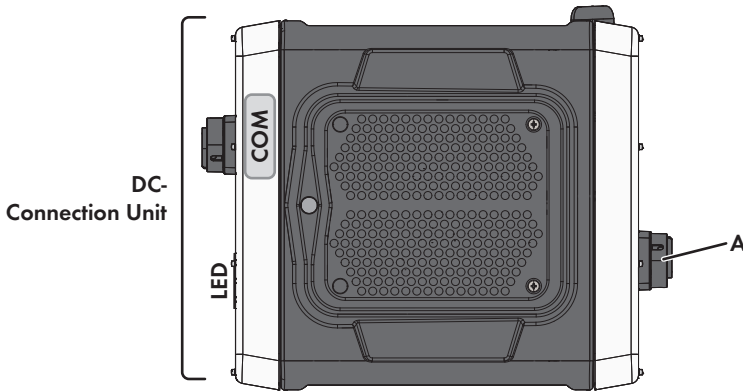


Imagen 2 : Posición del subgrupo de comunicación

| Posición | Denominación  |
|----------|---|
| A        | Interruptor de CA, disponible exclusivamente en STP-50-US-40, STP-33-US-41, STP-50-US-41 y STP-62-US-41 |

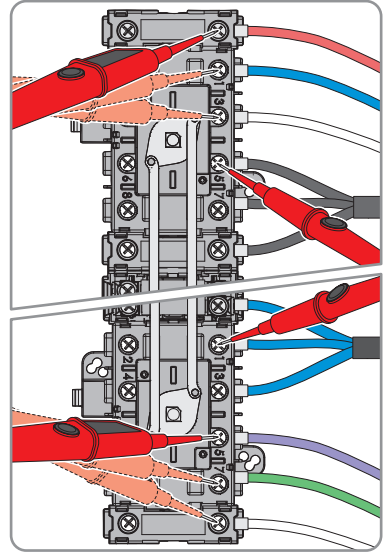
### Herramientas adicionales necesarias:

- Detector de tensión de 2 polos sin fuente de tensión propia

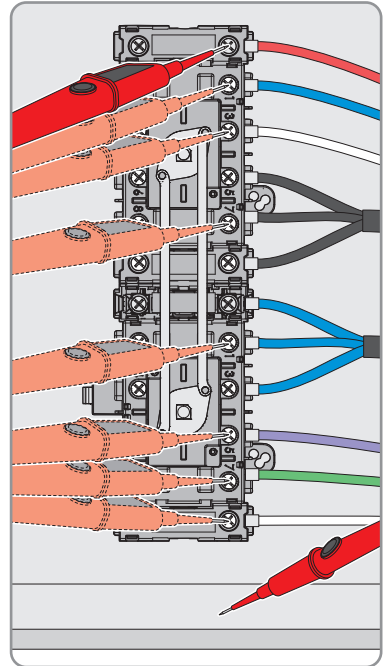
### Procedimiento:

1. Desconecte el inversor de la tensión (consulte las instrucciones del inversor en [www.SMA-Solar.com](http://www.SMA-Solar.com)).
2. Anote la posición de los conectores de campo de CC.
3. Desbloquee y retire los conectores de campo de CC.
4. Quite la tapa de la carcasa de la Connection Unit CC (TX25) y retire de la tapa de la carcasa hacia adelante.
5. Descargue la Connection Unit CC con un detector de tensión sin una fuente de tensión propia en los puntos de contacto. Asegúrese de que la tensión residual se sitúe por debajo de los 5 V.

- Descargue en el lado derecho del interruptor de CC cada par de contactos de CC+ contra cada contacto de CC- (los conductores rojo, azul y blanco contra un cable negro y los cables gris, verde y morado contra un cable azul).

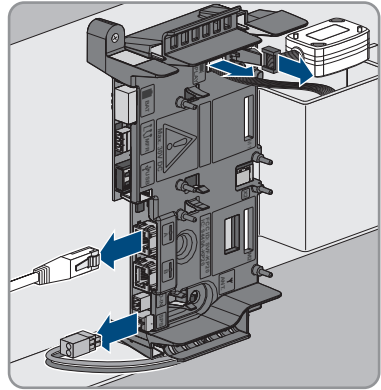


- Descargue en el lado derecho del interruptor de CC cada contacto de CC+ y CC- contra el conductor de protección (los conductores rojos, azules, blancos, negros, grises, verdes, morados y azules contra el conductor de protección).

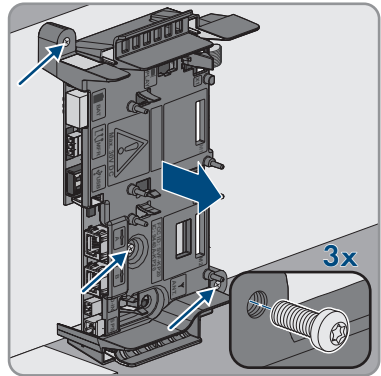


6. Para evitar daños por descargas electrostáticas, póngase a tierra antes de sustituir el subgrupo.

7. En caso necesario, desmonte los módulos de comunicación (consulte las instrucciones del módulo de comunicación).
8. Retire la abrazadera para cables de la ferrita del cable plano X1.
9. Retire todos los conectores de los conectores hembra utilizados del subgrupo de comunicación.



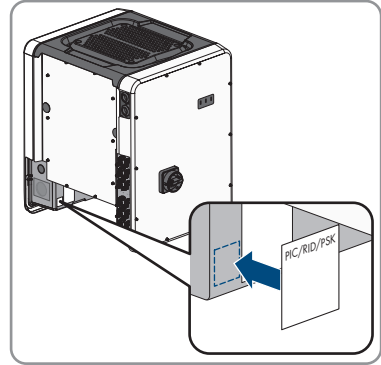
10. Desenrosque los 3 tornillos del subgrupo de comunicación (TX 20), extraiga el subgrupo de comunicación y deseche los tornillos.



## 5 Montaje del subgrupo de comunicación

1. Coloque el nuevo subgrupo de comunicación en la Connection Unit CC.
2. Apriete el subgrupo de comunicación con los 3 tornillos incluidos en la entrega (TX20, par de apriete:  $3,5 \text{ Nm} \pm 0,5 \text{ Nm}$  [ $30,98 \text{ in-lb} \pm 4,43 \text{ in-lb}$ ]).
3. Inserte todos los conectores en los conectores hembra correspondientes del subgrupo de comunicación.
4. En caso necesario, monte los módulos de comunicación (consulte las instrucciones del módulo de comunicación).
5. Monte la tapa de la carcasa delante de la Connection Unit CC (consulte el capítulo 6, página 36).
6. Ponga en funcionamiento el inversor sin conexión a la red local (consulte las instrucciones del inversor). La sincronización del nuevo subgrupo con el inversor puede tardar 15 minutos. También puede llevarse a cabo una actualización del inversor.

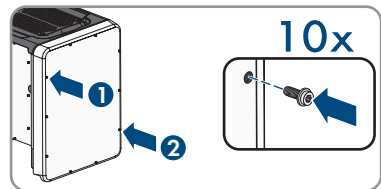
7. Actualice los ajustes de red del inversor y conecte el inversor a la red local (consulte las instrucciones del inversor).
8. Pegue el adhesivo suministrado sobre el existente junto a la placa de características.



9. En caso necesario, vuelva a configurar los módulos de comunicación. Para ello, inicie el asistente de instalación a través de la interfaz de usuario del inversor (consulte las instrucciones del inversor).

## 6 Montaje de la tapa de la carcasa de la Connection Unit CC

1. Asegúrese de que todas las conexiones del subgrupo de comunicación sustituido sean correctas.
2. Asegúrese de que el interruptor-seccionador de potencia de CC se encuentre en la posición **O**.
3. Coloque la tapa sobre la carcasa de la unidad de conexión de CC y apriete primero el tornillo arriba a la izquierda y abajo a la derecha, a continuación apriete en cruz el resto de tornillos (TX 25, par de apriete: 6 Nm (53 in-lb)).



4. Ponga en funcionamiento el inversor (consulte las instrucciones del inversor en [www.SMA-Solar.com](http://www.SMA-Solar.com)).

## 7 Embalaje y envío del subgrupo averiado/ Eliminación del subgrupo averiado

Consulte en el formulario de pedido si es necesario devolver el subgrupo averiado.

### Procedimiento:

1. Si debe devolverse el subgrupo averiado:
  - Embale el subgrupo averiado para su envío. Utilice para ello el embalaje original o bien otro que sea adecuado para el peso y tamaño del subgrupo.

- Prepare la devolución a SMA. Póngase para ello en contacto con el servicio técnico (encontrará la información de contacto en [www.SMA-Solar.com](http://www.SMA-Solar.com)).
2. Si el subgrupo no debe devolverse, deséchelo conforme a la normativa local vigente para la eliminación de residuos electrónicos.

## 8 Contacto

- Modelo
- Número de serie
- Equipamiento opcional, como productos de comunicación
- Descripción detallada del problema

|             |   |                     |  |
|-------------|---|---------------------|--|
| Deutschland | SMA Solar Technology AG   | Belgien             | SMA Benelux BVBA/SPRL  |
| Österreich  | Niestetal   | Belgique            | Mechelen   |
| Schweiz     | Sunny Boy, Sunny Mini Central,<br>Sunny Tripower:<br>+49 561 9522-1499                      | België              | +32 15 286 730   |
|             | Monitoring Systems<br>(Kommunikationsprodukte):<br>+49 561 9522-2499                        | Luxemburg           | SMA Online Service Center:<br><a href="http://www.SMA-Service.com">www.SMA-Service.com</a> |
|             | Hybrid Controller<br>(PV-Diesel-Hybridssysteme):<br>+49 561 9522-3199                       | Luxembourg          |  |
|             | Sunny Island, Sunny Boy Storage,<br>Sunny Backup:<br>+49 561 9522-399                       | Nederland           |  |
|             | Sunny Central, Sunny Central<br>Storage:<br>+49 561 9522-299                                | Česko               | SMA Service Partner TERMS<br>a.s.  |
|             | SMA Online Service Center:<br><a href="http://www.SMA-Service.com">www.SMA-Service.com</a>  | Magyarország        | +420 387 6 85 111  |
|             |   | Slovensko           | SMA Online Service Center:<br><a href="http://www.SMA-Service.com">www.SMA-Service.com</a> |
|             |   | Türkiye             | SMA Service Partner DEKOM<br>Ltd. Şti.<br>+90 24 22430605                                  |
|             |   |                     | SMA Online Service Center:<br><a href="http://www.SMA-Service.com">www.SMA-Service.com</a> |
| France      | SMA France S.A.S.<br>Lyon<br>+33 472 22 97 00   | Ελλάδα              | SMA Service Partner AKTOR<br>FM.   |
|             | SMA Online Service Center :<br><a href="http://www.SMA-Service.com">www.SMA-Service.com</a> | Κύπρος              | Αθήνα<br>+30 210 8184550   |
|             |   |                     | SMA Online Service Center:<br><a href="http://www.SMA-Service.com">www.SMA-Service.com</a> |
| España      | SMA Ibérica Tecnología Solar,<br>S.L.U.   | United King-<br>dom | SMA Solar UK Ltd.<br>Milton Keynes<br>+44 1908 304899                                      |
| Portugal    | Barcelona<br>+34 935 63 50 99   |                     | SMA Online Service Center:<br><a href="http://www.SMA-Service.com">www.SMA-Service.com</a> |
|             | SMA Online Service Center:<br><a href="http://www.SMA-Service.com">www.SMA-Service.com</a>  |                     |  |

|                      |  |                                      |   |
|----------------------|--|--------------------------------------|---|
| Italia               | SMA Italia S.r.l.<br>Milano<br>+39 02 8934-7299<br>SMA Online Service Center:<br><a href="http://www.SMA-Service.com">www.SMA-Service.com</a>  | Australia                            | SMA Australia Pty Ltd.<br>Sydney<br>Toll free for Australia:<br>1800 SMA AUS<br>(1800 762 287)<br>International:<br>+61 2 9491 4200 |
| United Arab Emirates | SMA Middle East LLC<br>Abu Dhabi<br>+971 2234 6177<br>SMA Online Service Center:<br><a href="http://www.SMA-Service.com">www.SMA-Service.com</a>   | India                                | SMA Solar India Pvt. Ltd.<br>Mumbai<br>+91 22 61713888  |
| ไทย                  | SMA Solar (Thailand) Co., Ltd.<br>กรุงเทพฯ<br>+66 2 670 6999   | 대한민국                                 | SMA Technology Korea Co., Ltd.<br>서울<br>+82-2-520-2666  |
| South Africa         | SMA Solar Technology South Africa Pty Ltd.<br>Cape Town<br>08600SUNNY (08600 78669)<br>International: +27 (0)21 826 0699<br>SMA Online Service Center:<br><a href="http://www.SMA-Service.com">www.SMA-Service.com</a> | Argentina<br>Brasil<br>Chile<br>Perú | SMA South America SPA<br>Santiago de Chile<br>+562 2820 2101  |
| Other countries      | International SMA Service Line<br>Niestetal<br>00800 SMA SERVICE<br>(+800 762 7378423)<br>SMA Online Service Center:<br><a href="http://www.SMA-Service.com">www.SMA-Service.com</a>                                   |                                      |   |

# Table des matières

|          |  |           |
|----------|--|-----------|
| <b>1</b> | <b>Remarques relatives à ce document.....</b>  | <b>40</b> |
| 1.1      | Champ d'application .....  | 40        |
| 1.2      | Groupe cible .....   | 40        |
| 1.3      | Contenu et structure du document .....   | 40        |
| 1.4      | Niveaux de mise en garde.....  | 40        |
| 1.5      | Symboles utilisés dans le document.....  | 41        |
| 1.6      | Formats utilisés dans le document.....   | 41        |
| 1.7      | Désignations utilisées dans le document .....  | 41        |
| <b>2</b> | <b>Sécurité.....</b>   | <b>41</b> |
| 2.1      | Utilisation conforme .....   | 41        |
| 2.2      | Consignes de sécurité importantes .....  | 42        |
| <b>3</b> | <b>Contenu de la livraison.....</b>  | <b>43</b> |
| <b>4</b> | <b>Démontage du groupe de communication .....</b>  | <b>44</b> |
| <b>5</b> | <b>Installation du groupe de communication .....</b>   | <b>47</b> |
| <b>6</b> | <b>Monter le couvercle du boîtier de la Connection Unit DC ....</b>  | <b>48</b> |
| <b>7</b> | <b>Emballer et renvoyer le module de construction<br/>défectueux / éliminer le module de construction<br/>défectueux .....</b> | <b>48</b> |
| <b>8</b> | <b>Contact .....</b>   | <b>48</b> |

# 1 Remarques relatives à ce document

## 1.1 Champ d'application

Ce document est valable pour les :

- NR-PC-KP20L.BG1 (jeu d'équipement ultérieur avec module de construction PC-KP20.BG1-xx.xx) pour STP 50-40, STP 50-JP-40 und STP 50-US-40
- NR-PL-KP20-41-1 (jeu d'équipement ultérieur avec module de construction PC-KP20.BG1-xx.xx) pour STP33-US-41, STP50-US-41 et STP62-US-41

## 1.2 Groupe cible

Les opérations décrites dans le présent document doivent uniquement être réalisées par un personnel qualifié. Ce dernier doit posséder les qualifications suivantes :

- Connaissances relatives au mode de fonctionnement et à l'exploitation d'un onduleur
- Formation à l'installation et à la mise en service des appareils et installations électriques
- Connaissance des lois, normes et directives pertinentes

## 1.3 Contenu et structure du document

Ce document décrit le remplacement des composants.

Les illustrations du présent document sont réduites aux détails essentiels et peuvent différer du produit réel.

## 1.4 Niveaux de mise en garde

Les niveaux de mise en garde suivants peuvent apparaître en vue d'un bon maniement du produit.

### DANGER

Indique une mise en garde dont le non-respect entraîne des blessures corporelles graves, voire la mort.

### AVERTISSEMENT

Indique une mise en garde dont le non-respect peut entraîner des blessures corporelles graves, voire la mort.

### ATTENTION



Indique une mise en garde dont le non-respect peut entraîner des blessures corporelles légères ou de moyenne gravité.

### PRUDENCE

Indique une mise en garde dont le non-respect peut entraîner des dommages matériels.



## 1.5 Symboles utilisés dans le document

| Symbole   | Explication  |
|---|--|
|  | Information importante sur un thème ou un objectif précis, mais ne relevant pas de la sécurité |
| <input type="checkbox"/>  | Condition qui doit être remplie pour atteindre un objectif précis                              |
| <input checked="" type="checkbox"/>   | Résultat souhaité  |
| <b>x</b>  | Problème susceptible de survenir   |
|  | Exemple :  |

## 1.6 Formats utilisés dans le document

| Format                             | Utilisation   | Exemple :   |
|------------------------------------|---|---|
| <b>gras</b>                        | <ul style="list-style-type: none"> <li>• Messages</li> <li>• Raccordements</li> <li>• Éléments d'une interface utilisateur</li> <li>• Éléments devant être sélectionnés</li> <li>• Éléments devant être saisis</li> </ul> | <ul style="list-style-type: none"> <li>• Raccorder les conducteurs isolés aux bornes <b>X703:1</b> à <b>X703:6</b>.</li> <li>• Saisissez <b>10</b> dans le champ <b>Minutes</b>.</li> </ul> |
| <b>&gt;</b>                        | <ul style="list-style-type: none"> <li>• Associe plusieurs éléments que vous devez sélectionner</li> </ul>  | <ul style="list-style-type: none"> <li>• Sélectionnez <b>Réglages &gt; Date</b>.</li> </ul>   |
| <b>[Bouton]</b><br><b>[Touche]</b> | <ul style="list-style-type: none"> <li>• Bouton ou touche que vous devez sélectionner ou actionner</li> </ul>   | <ul style="list-style-type: none"> <li>• Sélectionnez <b>[Enter]</b>.</li> </ul>  |

## 1.7 Désignations utilisées dans le document

| Désignation complète    | Désignation dans ce document |
|-------------------------|------------------------------|
| Sunny Tripower CORE1-US | Onduleur, produit            |

# 2 Sécurité

## 2.1 Utilisation conforme

Le produit doit être installé exclusivement dans les onduleurs SMA suivants :

- STP 50-40 (Sunny Tripower CORE1)
- STP 50-JP-40 (Sunny Tripower CORE1-JP)
- STP 50-US-40 (Sunny Tripower CORE1-US)
- STP 33-US-41 (Sunny Tripower CORE1-US)

- STP 50-US-41 (Sunny Tripower CORE1-US)
- STP 62-US-41 (Sunny Tripower CORE1-US)

Utilisez ce produit exclusivement en conformité avec la documentation fournie ainsi qu'avec les lois, dispositions, prescriptions, normes et directives en vigueur sur le site. Tout autre usage peut compromettre la sécurité des personnes ou entraîner des dommages matériels.

Les interventions sur le produit (modifications ou transformations, par exemple) ne sont autorisées qu'après accord écrit de SMA. Toute intervention non autorisée entraîne l'annulation de la garantie légale et commerciale et, en règle générale, le retrait de l'autorisation d'exploitation. SMA décline toute responsabilité en cas de dommages résultant d'une telle intervention.

Toute utilisation du produit différente de celle décrite dans l'utilisation conforme est considérée comme non conforme.

Les documents joints font partie intégrante du produit. Les documents doivent être lus, respectés et rester accessibles à tout moment.

Ce document ne remplace pas et n'a pas pour objet de remplacer les législations, prescriptions ou normes régionales, territoriales, provinciales, nationales ou fédérales ainsi que les dispositions et les normes s'appliquant à l'installation, à la sécurité électrique et à l'utilisation du produit. SMA décline toute responsabilité pour la conformité ou non-conformité à ces législations ou dispositions en relation avec l'installation du produit.

Si le remplacement et tous les travaux mentionnés dans ce document ne sont pas exécutés par un personnel qualifié au sens de cette documentation, cela entraîne l'annulation de la garantie légale et commerciale et, en règle générale, le retrait de l'autorisation d'exploitation. SMA décline toute responsabilité en cas de dommages résultant directement ou indirectement d'une telle intervention par des personnes non autorisées.

## 2.2 Consignes de sécurité importantes

Conserver ces instructions

Ce chapitre contient les consignes de sécurité qui doivent être respectées lors de tous les travaux effectués sur et avec le produit.

Le produit a été conçu et testé conformément aux exigences de sécurité internationale. En dépit d'un assemblage réalisé avec le plus grand soin, comme pour tout appareil électrique/électronique, il existe des risques résiduels. Lisez ce chapitre attentivement et respectez en permanence toutes les consignes de sécurité pour éviter tout dommage corporel et matériel, et garantir un fonctionnement durable du produit.

### DANGER

#### **Danger de mort par choc électrique en cas de contact avec des composants conducteurs ou des câbles de l'onduleur**

Les composants conducteurs ou les câbles de l'onduleur sont soumis à de hautes tensions. Le contact avec des composants conducteurs ou des câbles de l'onduleur peut entraîner la mort ou des blessures mortelles due à un choc électrique.

- Mettez hors tension l'onduleur et sécurisez-le avant toute intervention.
- Portez toujours un équipement de protection individuelle adapté pour tous les travaux.
- Ne touchez pas aux composants conducteurs ou aux câbles dénudés.

**⚠ DANGER****Danger de mort par choc électrique en cas de contact avec des câbles DC conducteurs**

En cas d'ensoleillement, les panneaux photovoltaïques produisent des hautes tensions continues dans les câbles DC. Le contact avec des câbles DC sous tension entraîne des blessures graves, voire la mort par choc électrique.

- Mettez hors tension l'onduleur et sécurisez-le avant toute intervention.
- Ne touchez pas aux composants conducteurs ou aux câbles dénudés.
- Portez toujours un équipement de protection individuelle adapté pour tous les travaux.

**⚠ DANGER****Danger de mort par choc électrique au contact de parties de l'installation sous tension en cas de défaut à la terre**

En cas de défaut à la terre, des parties de l'installation peuvent être sous tension. Le contact avec des composants conducteurs ou des câbles peut entraîner la mort ou des blessures mortelles due à un choc électrique.

- Mettez hors tension l'onduleur et sécurisez-le avant toute intervention.

**⚠ ATTENTION****Risque de brûlure dû au contact de composants chauds du boîtier**

Pendant l'exploitation, il se peut que le boîtier et le couvercle du boîtier s'échauffent. L'interrupteur-sectionneur DC ne peut pas s'échauffer.

- Ne touchez pas les composants brûlants.
- Avant de toucher le boîtier ou son couvercle, attendez que l'onduleur ait refroidi.

**PRUDENCE****Risque d'endommagement du joint du boîtier en raison du gel**

Si vous ouvrez l'onduleur quand il gèle, le joint pourra être endommagé. De l'humidité peut donc pénétrer dans l'onduleur et l'endommager.

- N'ouvrez l'onduleur que si la température ambiante n'est pas inférieure à -5 °C (23 °F).
- Si vous devez ouvrir l'onduleur quand il gèle, éliminez tout d'abord la glace qui a pu s'accumuler sur le joint du boîtier (par exemple en la faisant fondre avec de l'air chaud). Respectez pour cela les consignes de sécurité correspondantes.

## 3 Contenu de la livraison

Vérifiez si la livraison est complète et ne présente pas de dommages apparents. En cas de livraison incomplète ou de dommages, contactez votre revendeur.

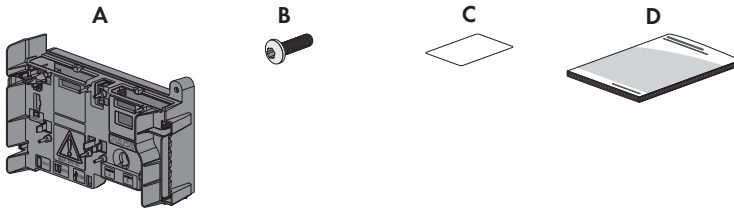


Figure 1 : Éléments du contenu de livraison

| Position | Quantité | Désignation   |
|----------|----------|---|
| A        | 1        | Groupe de communication <ul style="list-style-type: none"> <li>• NR-PC-KP20L.BG1 pour STP 50-40, STP 50-JP-40 et STP 50-US-40</li> <li>• NR-PL-KP20-41-1 pour STP xxx-US-41</li> </ul>  |
| B        | 3        | Vis M4 x 15   |
| C        | 1        | Nouvel autocollant donnant des informations pour l'enregistrement sur le Sunny Portal et le mot de passe du réseau local sans fil (WPA2-PSK) pour la liaison directe à l'interface utilisateur de l'onduleur via le réseau local sans fil |
| D        | 1        | Documentation   |

## 4 Démontage du groupe de communication

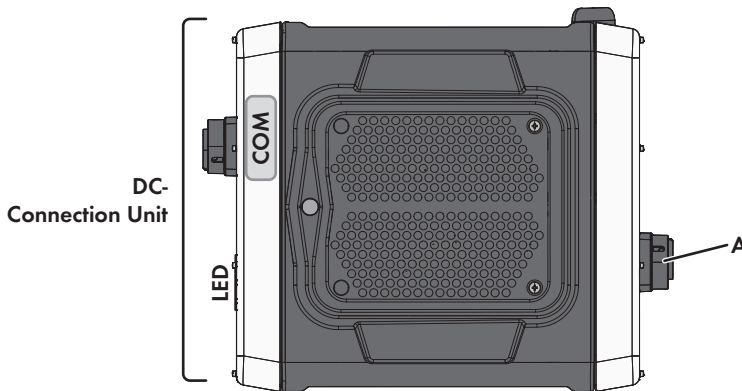


Figure 2 : Position du groupe de communication

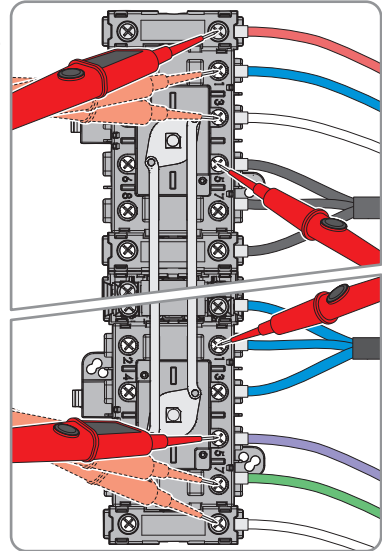
| Position | Désignation  |
|----------|--|
| A        | Interrupteur AC, disponible uniquement dans les onduleurs STP-50-US-40, STP-33-US-41, STP-50-US-41 et STP-62-US-41 |

**Moyen auxiliaire supplémentaire requis :**

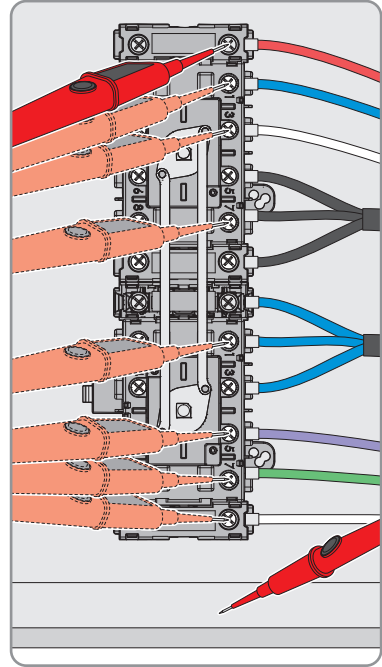
- Détecteur de tension à 2 pôles sans sa propre source de tension

**Procédure :**

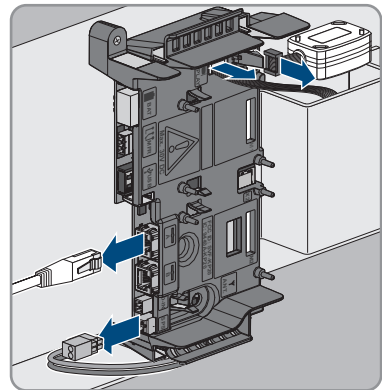
1. Mettez l'onduleur hors tension (voir instructions de l'onduleur sous [www.SMA-Solar.com](http://www.SMA-Solar.com)).
2. Notez la position des fiches DC confectionnable sur le terrain.
3. Déverrouillez et retirez les fiches DC confectionnable sur le terrain.
4. Retirez le couvercle du boîtier de la Connection Unit DC en le tirant vers l'avant (TX25).
5. Déchargez la Connection Unit DC sur les points de contact avec le détecteur de tension sans sa propre source de tension. Assurez-vous ce faisant que la tension résiduelle est inférieure à 5 V.
  - Sur le côté droit de l'interrupteur, chaque paire de contacts DC+ contre chaque contact DC- (le conducteur rouge, bleu et blanc contre un conducteur noir et le conducteur gris, vert et violet contre un conducteur bleu).



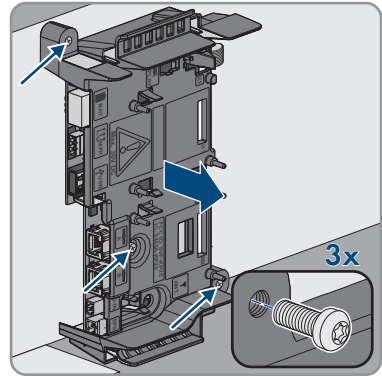
- Sur le côté droit de l'interrupteur, chaque contact DC+ et DC- contre le conducteur de protection (le conducteur rouge, bleu, blanc, noir, gris, vert, violet et bleu contre le conducteur de protection).



6. Reliez-vous à la terre avant le remplacement du module de construction pour éviter des dommages dus aux décharges électrostatiques.
7. Le cas échéant, démontez les modules de communication (voir les instructions du module de communication).
8. Retirez l'attache-câbles placé sur la ferrite du câble plat X1.
9. Ôtez toutes les fiches des embases utilisées du groupe de communication.

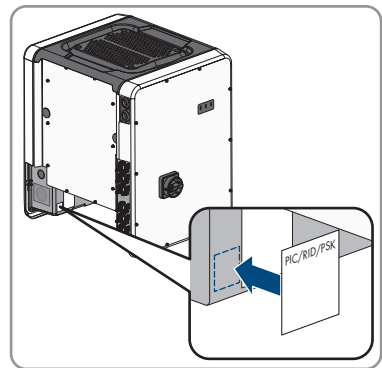


10. Desserrez les 3 vis du groupe de communication (TX 20) et retirez le groupe de communication. Éliminez ensuite les vis.



## 5 Installation du groupe de communication

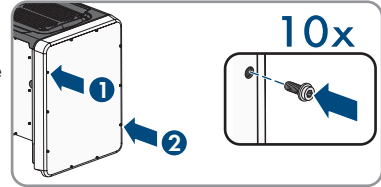
1. Insérez le nouveau groupe de communication dans la Connection Unit DC.
2. Fixez le groupe de communication avec les 3 vis du contenu de livraison (TX20, couple de serrage :  $3,5 \text{ Nm} \pm 0,5 \text{ Nm}$  ( $30,98 \text{ in-lb} \pm 4,43 \text{ in-lb}$ )).
3. Insérez les fiches dans les embases correspondantes du groupe de communication.
4. Le cas échéant, montez les modules de communication (voir les instructions du module de communication).
5. Montez le couvercle du boîtier devant le Connection Unit DC (voir chapitre 6, page 48).
6. Mettez l'onduleur en service sans intégration dans le réseau local (voir les instructions de l'onduleur). Il peut se passer 15 minutes avant que le nouvel module de construction se synchronise avec l'onduleur. La mise à jour de l'onduleur peut également être effectuée.
7. Actualisez les réglages réseau de l'onduleur et intégrez l'onduleur dans le réseau local (voir les instructions de l'onduleur).
8. Collez l'autocollant fourni sur l'autocollant existant à côté de la plaque signalétique.



9. Le cas échéant, reconfigurez les modules de communication. Pour cela, lancez l'assistant d'installation via l'interface utilisateur de l'onduleur (voir les instructions de l'onduleur).

## 6 Monter le couvercle du boîtier de la Connection Unit DC

1. Assurez-vous que tous les raccordements du module de construction remplacé sont corrects.
2. Assurez-vous que l'interrupteur-sectionneur DC est sur la position **O**.
3. Placez le couvercle du boîtier de la Connection Unit DC sur la Connection Unit DC et vissez tout d'abord les vis en haut à gauche et en bas à droite et ensuite les autres vis en croix (TX 25) (couple de serrage : 6 Nm (53 in-lb)).



4. Mettez l'onduleur en service (voir les instructions de l'onduleur dans [www.SMA-Solar.com](http://www.SMA-Solar.com)).

## 7 Emballer et renvoyer le module de construction défectueux / éliminer le module de construction défectueux

Pour savoir si un renvoi du module de construction défectueux est nécessaire, consultez le formulaire de commande.

### Procédure :

1. Si le module de construction doit être renvoyé :
  - Emballez le module de construction défectueux pour l'expédier. Utilisez pour ce faire l'emballage d'origine ou un emballage approprié au poids et à la taille du module.
  - Organisez le renvoi du module à SMA. Pour cela, contactez le service technique (coordonnées disponibles sur [www.SMA-Solar.com](http://www.SMA-Solar.com)).
2. Si le module de construction n'a pas besoin d'être renvoyé, éliminez-le conformément aux prescriptions d'élimination en vigueur pour les déchets d'équipements électriques et électroniques.

## 8 Contact

- Type d'appareil
- Numéro de série
- Équipement en option, par exemple produits de communication
- Description détaillée du problème



|                    |   |                |   |
|--------------------|---|----------------|---|
| Deutschland        | SMA Solar Technology AG   | Belgien        | SMA Benelux BVBA/SPRL   |
| Österreich         | Niestetal   | Belgique       | Mechelen  |
| Schweiz            | Sunny Boy, Sunny Mini Central,<br>Sunny Tripower:<br>+49 561 9522-1499<br>Monitoring Systems<br>(Kommunikationsprodukte):<br>+49 561 9522-2499<br>Hybrid Controller<br>(PV-Diesel-Hybridsysteme):<br>+49 561 9522-3199<br>Sunny Island, Sunny Boy Storage,<br>Sunny Backup:<br>+49 561 9522-399<br>Sunny Central, Sunny Central Storage:<br>+49 561 9522-299<br>SMA Online Service Center:<br>www.SMA-Service.com | België         | +32 15 286 730  |
|                    |   | Luxemburg      | SMA Online Service Center:<br>www.SMA-Service.com   |
|                    |   | Luxembourg     |   |
|                    |   | Nederland      |   |
|                    |   | Česko          | SMA Service Partner TERMS<br>a.s.   |
|                    |   | Magyarország   | +420 387 6 85 111   |
|                    |   | Slovensko      | SMA Online Service Center:<br>www.SMA-Service.com   |
|                    |   | Türkiye        | SMA Service Partner DEKOM<br>Ltd. Şti.<br>+90 24 22430605<br>SMA Online Service Center:<br>www.SMA-Service.com                      |
| France             | SMA France S.A.S.<br>Lyon<br>+33 472 22 97 00<br>SMA Online Service Center :<br>www.SMA-Service.com   | Ελλάδα         | SMA Service Partner AKTOR<br>FM.<br>Αθήνα<br>+30 210 8184550<br>SMA Online Service Center:<br>www.SMA-Service.com                   |
|                    |   | Κύπρος         |   |
| España<br>Portugal | SMA Ibérica Tecnología Solar,<br>S.L.U.<br>Barcelona<br>+34 935 63 50 99<br>SMA Online Service Center:<br>www.SMA-Service.com   | United Kingdom | SMA Solar UK Ltd.<br>Milton Keynes<br>+44 1908 304899<br>SMA Online Service Center:<br>www.SMA-Service.com                          |
| Italia             | SMA Italia S.r.l.<br>Milano<br>+39 02 8934-7299<br>SMA Online Service Center:<br>www.SMA-Service.com  | Australia      | SMA Australia Pty Ltd.<br>Sydney<br>Toll free for Australia:<br>1800 SMA AUS<br>(1800 762 287)<br>International:<br>+61 2 9491 4200 |

|                      |   |                                      |  |
|----------------------|---|--------------------------------------|--|
| United Arab Emirates | SMA Middle East LLC<br>Abu Dhabi<br>+971 2234 6177<br>SMA Online Service Center:<br>www.SMA-Service.com   | India                                | SMA Solar India Pvt. Ltd.<br>Mumbai<br>+91 22 61713888       |
| ไทย                  | SMA Solar (Thailand) Co., Ltd.<br>กรุงเทพฯ<br>+66 2 670 6999  | 대한민국                                 | SMA Technology Korea Co., Ltd.<br>서울<br>+82-2-520-2666       |
| South Africa         | SMA Solar Technology South Africa Pty Ltd.<br>Cape Town<br>08600SUNNY (08600 78669)<br>International: +27 (0)21 826 0699<br>SMA Online Service Center:<br>www.SMA-Service.com | Argentina<br>Brasil<br>Chile<br>Perú | SMA South America SPA<br>Santiago de Chile<br>+562 2820 2101 |
| Other countries      | International SMA Service Line<br>Niestetal<br>00800 SMA SERVICE<br>(+800 762 7378423)<br>SMA Online Service Center:<br>www.SMA-Service.com                                   |                                      |  |

## Indice

|          |   |           |
|----------|---|-----------|
| <b>1</b> | <b>Note relative al presente documento.....</b>   | <b>52</b> |
| 1.1      | Ambito di validità .....  | 52        |
| 1.2      | Destinatari.....  | 52        |
| 1.3      | Contenuto e struttura del documento.....  | 52        |
| 1.4      | Livelli delle avvertenze di sicurezza.....  | 52        |
| 1.5      | Simboli nel documento .....   | 53        |
| 1.6      | Convenzioni tipografiche nel documento.....   | 53        |
| 1.7      | Denominazioni nel documento .....   | 53        |
| <b>2</b> | <b>Sicurezza.....</b>   | <b>53</b> |
| 2.1      | Utilizzo conforme .....   | 53        |
| 2.2      | Avvertenze di sicurezza importanti.....   | 54        |
| <b>3</b> | <b>Contenuto della fornitura .....</b>  | <b>55</b> |
| <b>4</b> | <b>Smontaggio del gruppo di comunicazione.....</b>  | <b>56</b> |
| <b>5</b> | <b>Montaggio del gruppo di comunicazione .....</b>  | <b>59</b> |
| <b>6</b> | <b>Montaggio del coperchio della Connection Unit CC.....</b>                                      | <b>60</b> |
| <b>7</b> | <b>Imballaggio e spedizione del gruppo difettoso /<br/>Smaltimento del gruppo difettoso .....</b> | <b>60</b> |
| <b>8</b> | <b>Contatto.....</b>  | <b>60</b> |

# 1 Note relative al presente documento

## 1.1 Ambito di validità

Il presente documento è valido per:

- NR-PC-KP20L.BG1 (kit di modifica con gruppo costruttivo PC-KP20.BG1-xx.xx) per STP 50-40, STP 50-JP-40 e STP 50-US-40
- NR-PL-KP20-41-1 (kit di modifica con gruppo costruttivo PC-KP20.BG1-xx.xx) per STP33-US-41, STP50-US-41 e STP62-US-41

## 1.2 Destinatari

Le operazioni descritte nel presente documento devono essere eseguite esclusivamente da tecnici specializzati. Questi ultimi devono disporre delle seguenti qualifiche:

- Conoscenze in merito a funzionamento e gestione di un inverter
- Addestramento all'installazione e alla messa in servizio di apparecchi e impianti elettrici
- Conoscenza di leggi, norme e direttive in materia

## 1.3 Contenuto e struttura del documento

Il presente documento descrive la sostituzione di componenti guasti.

Le figure nel presente documento sono limitate ai dettagli essenziali e possono non corrispondere al prodotto reale.

## 1.4 Livelli delle avvertenze di sicurezza

I seguenti livelli delle avvertenze di sicurezza possono presentarsi durante l'utilizzo del prodotto.

### PERICOLO

Identifica un'avvertenza di sicurezza la cui inosservanza provoca immediatamente la morte o lesioni gravi.

### AVVERTENZA

Identifica un'avvertenza di sicurezza la cui inosservanza può provocare la morte o lesioni gravi.



### ATTENZIONE

Identifica un'avvertenza di sicurezza la cui inosservanza può provocare lesioni leggere o medie.

### AVVISO

Identifica un'avvertenza di sicurezza la cui inosservanza può provocare danni materiali.

## 1.5 Simboli nel documento

| Simbolo   | Spiegazione   |
|---|---|
|  | Informazioni importanti per un determinato obiettivo o argomento, non rilevanti tuttavia dal punto di vista della sicurezza |
| <input type="checkbox"/>  | Condizioni preliminari necessarie per un determinato obiettivo  |
| <input checked="" type="checkbox"/>   | Risultato desiderato  |
| <b>x</b>  | Possibile problema  |
|  | Esempio   |

## 1.6 Convenzioni tipografiche nel documento

| Tipo                  | Utilizzo  | Esempio   |
|-----------------------|---|---|
| <b>Grassetto</b>      | <ul style="list-style-type: none"> <li>• Messaggi</li> <li>• Collegamenti</li> <li>• Elementi di un'interfaccia utente</li> <li>• Elementi da selezionare</li> <li>• Elementi da immettere</li> </ul> | <ul style="list-style-type: none"> <li>• Collegare i fili ai morsetti da <b>X703:1</b> a <b>X703:6</b>.</li> <li>• Digitare il valore <b>10</b> nel campo <b>Minuti</b>.</li> </ul> |
| <b>&gt;</b>           | <ul style="list-style-type: none"> <li>• Unione di vari elementi da selezionare</li> </ul>  | <ul style="list-style-type: none"> <li>• Selezionare <b>Configurazioni &gt; Data</b>.</li> </ul>  |
| [Pulsante]<br>[Tasto] | <ul style="list-style-type: none"> <li>• Pulsante o tasto da selezionare o premere</li> </ul>   | <ul style="list-style-type: none"> <li>• Selezionare <b>[Enter]</b>.</li> </ul>   |

## 1.7 Denominazioni nel documento

| Denominazione completa  | Denominazione nel presente documento |
|-------------------------|--------------------------------------|
| Sunny Tripower CORE1-US | Inverter, prodotto                   |

# 2 Sicurezza

## 2.1 Utilizzo conforme

Il prodotto può essere installato esclusivamente nei seguenti inverter SMA:

- STP 50-40 (Sunny Tripower CORE1)
- STP 50-JP-40 (Sunny Tripower CORE1-JP)
- STP 50-US-40 (Sunny Tripower CORE1-US)
- STP 33-US-41 (Sunny Tripower CORE1-US)
- STP 50-US-41 (Sunny Tripower CORE1-US)

- STP 62-US-41 (Sunny Tripower CORE1-US)

Utilizzare il prodotto esclusivamente in conformità con le indicazioni fornite nella documentazione allegata nonché nel rispetto di leggi, disposizioni, direttive e norme vigenti a livello locale. Un uso diverso può provocare danni personali o materiali.

Gli interventi sul prodotto, ad es. modifiche e aggiunte, sono consentiti solo previa esplicita autorizzazione scritta da parte di SMA. Eventuali interventi non autorizzati comportano l'estinzione dei diritti di garanzia e di regola come anche la revoca dell'autorizzazione di funzionamento. È esclusa ogni responsabilità di SMA per danni derivanti da tali interventi.

Non è consentito alcun utilizzo del prodotto diverso da quanto specificato nel capitolo "Utilizzo conforme".

La documentazione in allegato è parte integrante del prodotto. La documentazione deve essere letta, rispettata e conservata in modo tale da essere sempre accessibile.

Il presente documento non sostituisce alcuna legge, direttiva o norma regionale, statale, provinciale o federale vigente per l'installazione, la sicurezza elettrica e l'utilizzo del prodotto. SMA declina qualsiasi responsabilità per il rispetto e/o il mancato rispetto di tali leggi o disposizioni legate all'installazione del prodotto.

Se la sostituzione e le attività descritte nel presente documento vengono eseguite da persone che non sono tecnici specializzati ai sensi della presente documentazione, decadono i diritti di garanzia e generalmente viene annullata l'autorizzazione di funzionamento. È esclusa ogni responsabilità di SMA per danni derivanti direttamente o indirettamente da tali interventi eseguiti da persone non autorizzate.

## 2.2 Avvertenze di sicurezza importanti

Conservazione delle istruzioni

Il presente capitolo riporta le avvertenze di sicurezza che devono essere rispettate per qualsiasi operazione sul e con il prodotto.

Il prodotto è stato progettato e testato conformemente ai requisiti di sicurezza internazionali. Pur essendo progettati accuratamente, tutti gli apparecchi elettrici o elettronici presentano rischi residui. Per evitare danni a cose e persone e garantire il funzionamento duraturo del prodotto, leggere attentamente il presente capitolo e seguire in ogni momento tutte le avvertenze di sicurezza.

### PERICOLO

#### **Pericolo di morte per folgorazione in caso di contatto con componenti o cavi sotto tensione dell'inverter**

Sui componenti o cavi dell'inverter sotto tensione sono presenti tensioni elevate. Il contatto con componenti sotto tensione o cavi dell'inverter può determinare la morte o lesioni mortali per folgorazione.

- Prima di qualsiasi intervento, togliere tensione all'inverter e assicurarlo contro la riattivazione.
- Indossare dispositivi di protezione individuale idonei durante qualsiasi intervento.
- Non toccare alcun componente o cavo libero sotto tensione.

**⚠ PERICOLO****Pericolo di morte per folgorazione in caso di contatto con cavi CC sotto tensione**

Con luce incidente, i moduli fotovoltaici producono una alta tensione CC sui cavi CC. Il contatto con cavi CC sotto tensione o cavi può determinare la morte o lesioni mortali per folgorazione.

- Prima di qualsiasi intervento, togliere tensione all'inverter e assicurarlo contro la riattivazione.
- Non toccare alcun componente o cavo libero sotto tensione.
- Indossare dispositivi di protezione individuale idonei durante qualsiasi intervento.

**⚠ PERICOLO****Pericolo di morte per folgorazione in caso di contatto con parti dell'impianto sotto tensione in presenza di una dispersione verso terra**

Nella dispersione verso terra i componenti dell'impianto potrebbero essere sotto tensione. Il contatto con cavi sotto tensione o cavi può determinare la morte o lesioni mortali per folgorazione.

- Prima di qualsiasi intervento, togliere tensione all'inverter e assicurarlo contro la riattivazione.

**⚠ ATTENZIONE****Pericolo di ustioni per contatto con parti roventi dell'involucro**

Durante il funzionamento l'involucro e il relativo coperchio possono diventare roventi. Il sezionatore di carico CC non può diventare rovente.

- Non toccare le superfici roventi.
- Prima di toccare l'involucro o il relativo coperchio, attendere che l'inverter si sia raffreddato.

**AVVISO****Danneggiamento della guarnizione del coperchio in caso di gelo**

In caso di gelo, se si apre l'inverter è possibile danneggiare la guarnizione del coperchio. Ciò può favorire la penetrazione di umidità nell'inverter e danneggiarlo.

- Aprire l'inverter solo quando la temperatura ambiente non è inferiore a  $-5\text{ }^{\circ}\text{C}$  ( $23\text{ }^{\circ}\text{F}$ ).
- Se è necessario aprire l'inverter in caso di gelo, prima di aprire l'inverter rimuovere il ghiaccio eventualmente formatosi sulla guarnizione del coperchio (ad es. facendolo sciogliere con aria calda), rispettando le apposite direttive di sicurezza.

## 3 Contenuto della fornitura

Controllare che il contenuto della fornitura sia completo e non presenti danni visibili all'esterno. In caso di contenuto della fornitura incompleto o danneggiato rivolgersi al proprio rivenditore.

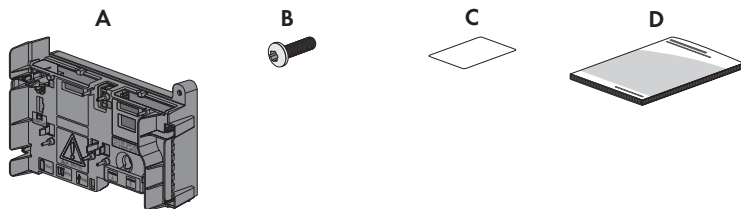


Figura 1 : Contenuto della fornitura

| Posizione | Numero | Denominazione   |
|-----------|--------|---|
| A         | 1      | Gruppo di comunicazione <ul style="list-style-type: none"> <li>• NR-PC-KP20L.BG1 per STP 50-40, STP 50-JP-40 e STP 50-US-40</li> <li>• NR-PL-KP20-41-1 per STP xxx-US-41</li> </ul> |
| B         | 3      | Vite M4x15  |
| C         | 1      | Nuovo adesivo con istruzioni per la registrazione in Sunny Portal e password WLAN (WPA2-PSK) per il collegamento diretto all'interfaccia utente dell'inverter mediante WLAN.        |
| D         | 1      | Documentazione  |

## 4 Smontaggio del gruppo di comunicazione

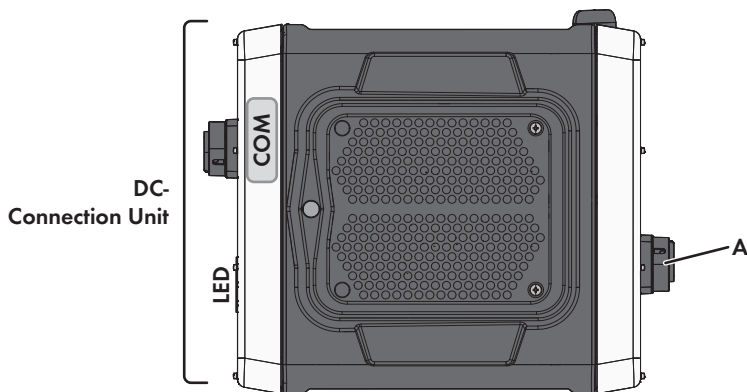


Figura 2 : Posizione del gruppo di comunicazione

| Posizione | Denominazione  |
|-----------|--|
| A         | Interruttore CA presente tranne in STP-50-US-40, STP-33-US-41, STP-50-US-41 e STP-62-US-41 |

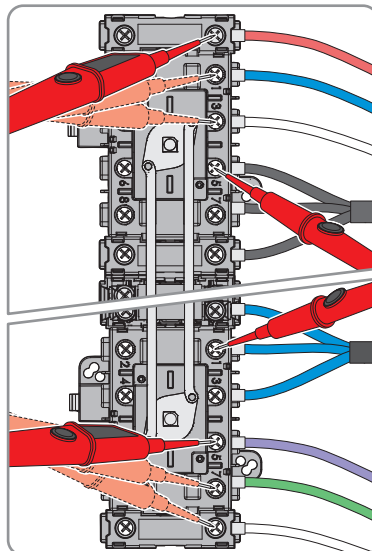


**Ulteriore materiale ausiliario richiesto:**

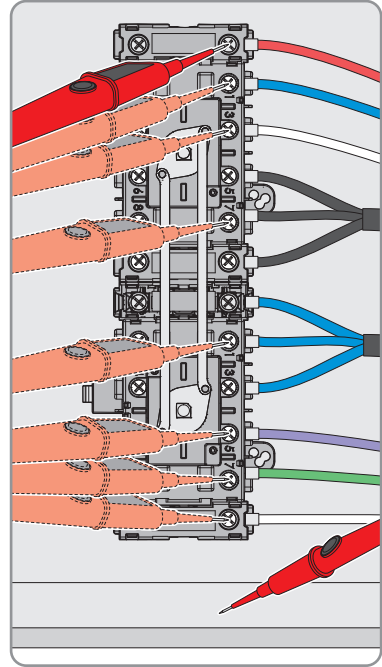
- Tester bipolare senza fonte di tensione propria

**Procedura:**

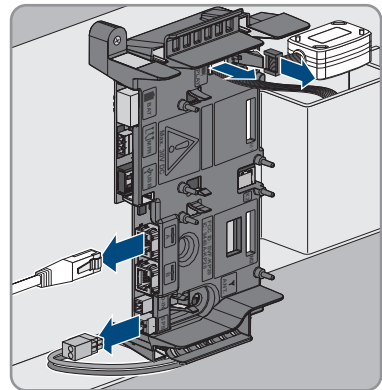
1. Disinserire l'inverter (v. le istruzioni dell'inverter su [www.SMA-Solar.com](http://www.SMA-Solar.com)).
2. Annotare la posizione della presa CC.
3. Sbloccare ed estrarre la presa CC.
4. Rimuovere il coperchio dell'involucro della Connection Unit CC (TX25) e sollevare il coperchio dell'involucro in avanti.
5. Scaricare la Connection Unit CC con un tester senza fonte di tensione propria nei punti di contatto. Durante tale operazione accertarsi che la tensione residua sia inferiore a 5 V.
  - Sulla destra dell'interruttore CC scaricare ogni paio di contatti CC+ verso ciascun contatto (il conduttori rosso, blu e bianco verso 1 conduttore nero nonché il conduttore grigio, verde e lilla verso 1 conduttore blu).



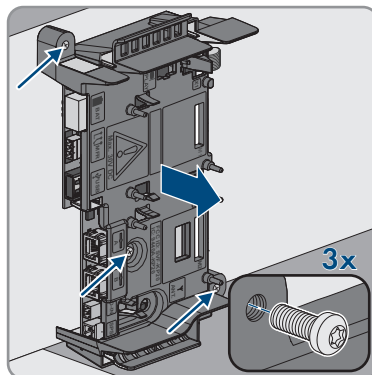
- Sulla destra dell'interruttore CC scaricare ogni contatto CC+ e CC- verso PE (il conduttori rosso, blu, bianco, nero, grigio, verde, lilla e blu verso PE).



6. Mettersi a terra prima di sostituire il gruppo costruttivo per evitare danni da scarica elettrostatica.
7. Eventualmente smontare il gruppo di comunicazione (v. le istruzioni del modulo di comunicazione).
8. Rimuovere la fascetta serracavo sulla ferrite del cavo piatto X1.
9. Estrarre tutti i connettori delle prese del gruppo di comunicazione utilizzate.

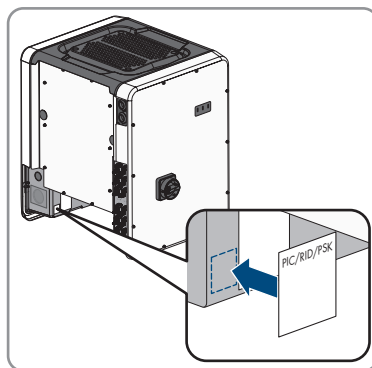


10. Svitare le 3 viti del modulo di comunicazione (TX20) e rimuovere il modulo di comunicazione e smaltire le viti.



## 5 Montaggio del gruppo di comunicazione

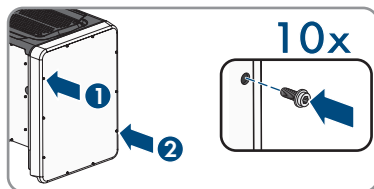
1. Inserire il nuovo modulo di comunicazione nella Connection Unit CC.
2. Avvitare il modulo di comunicazione con le 3 viti in dotazione (TX20, coppia:  $3,5 \text{ Nm} \pm 0,5 \text{ Nm}$  ( $30,98 \text{ in-lb} \pm 4,43 \text{ in-lb}$ )).
3. Inserire tutti i connettori nelle corrispondenti prese del gruppo di comunicazione.
4. Eventualmente montare il gruppo di comunicazione (v. le istruzioni del modulo di comunicazione).
5. Montare il coperchio davanti alla Connection Unit CC (v. cap. 6, pag. 60).
6. Mettere in servizio l'inverter senza collegarlo alla rete locale (v. le istruzioni dell'inverter).  
Possono volerci 15 minuti perché il nuovo gruppo si sincronizzi con l'inverter. Nel frattempo può essere eseguito anche un aggiornamento dell'inverter.
7. Aggiornare le impostazioni di rete dell'inverter e collegare l'inverter alla rete locale (v. istruzioni dell'inverter).
8. Incollare l'adesivo in dotazione sull'adesivo presente vicino alla targhetta di identificazione.



9. Eventualmente riconfigurare i moduli di comunicazione. Avviare la procedura guidata d'installazione mediante l'interfaccia utente dell'inverter (v. le istruzioni dell'inverter).

## 6 Montaggio del coperchio della Connection Unit CC

1. Accertarsi che tutti i collegamenti del gruppo sostituito siano stati eseguiti correttamente.
2. Accertarsi che il sezionatore CC sia in posizione **O**.
3. Posizionare il coperchio dell'involucro della Connection Unit CC sulla stessa e serrare dapprima le viti in alto a sinistra e in basso a destra e poi le altre viti con un cacciavite Torx (TX 25, coppia: 6 Nm (53 in-lb)).



4. Mettere in servizio l'inverter (v. le istruzioni dell'inverter su [www.SMA-Solar.com](http://www.SMA-Solar.com)).

## 7 Imballaggio e spedizione del gruppo difettoso / Smaltimento del gruppo difettoso

Nel modulo d'ordine è specificato se il gruppo difettoso deve essere rispedito.

### Procedura:

1. Se un gruppo difettoso deve essere rispedito:
  - Imballare il gruppo difettoso per la spedizione. Utilizzare l'imballaggio originale o una confezione adatta al peso e alle dimensioni del gruppo.
  - Organizzare la spedizione a SMA. A tale scopo contattare il Servizio di assistenza tecnica (vedere [www.SMA-Solar.com](http://www.SMA-Solar.com) per i dati di contatto).
2. Qualora non debba essere rispedito, smaltirlo nel rispetto delle norme per lo smaltimento dei RAEE vigenti nel luogo di installazione.

## 8 Contatto

- Tipo di apparecchio
- Numero di serie
- Dotazione opzionale, ad es. prodotti di comunicazione
- Descrizione dettagliata del problema

|             |  |                     |   |
|-------------|--|---------------------|---|
| Deutschland | SMA Solar Technology AG  | Belgien             | SMA Benelux BVBA/SPRL   |
| Österreich  | Niestetal  | Belgique            | Mechelen  |
| Schweiz     | Sunny Boy, Sunny Mini Central,<br>Sunny Tripower:<br>+49 561 9522-1499<br>Monitoring Systems<br>(Kommunikationsprodukte):<br>+49 561 9522-2499<br>Hybrid Controller<br>(PV-Diesel-Hybridsysteme):<br>+49 561 9522-3199<br>Sunny Island, Sunny Boy Storage,<br>Sunny Backup:<br>+49 561 9522-399<br>Sunny Central, Sunny Central<br>Storage:<br>+49 561 9522-299<br>SMA Online Service Center:<br>www.SMA-Service.com | België              | +32 15 286 730  |
|             |  | Luxemburg           | SMA Online Service Center:<br>www.SMA-Service.com   |
|             |  | Luxembourg          |   |
|             |  | Nederland           |   |
|             |  | Česko               | SMA Service Partner TERMS<br>a.s.   |
|             |  | Magyarország        | +420 387 6 85 111   |
|             |  | Slovensko           | SMA Online Service Center:<br>www.SMA-Service.com   |
|             |  | Türkiye             | SMA Service Partner DEKOM<br>Ltd. Şti.<br>+90 24 22430605<br>SMA Online Service Center:<br>www.SMA-Service.com                      |
| France      | SMA France S.A.S.<br>Lyon<br>+33 472 22 97 00<br>SMA Online Service Center :<br>www.SMA-Service.com  | Ελλάδα              | SMA Service Partner AKTOR<br>FM.<br>Αθήνα<br>+30 210 8184550<br>SMA Online Service Center:<br>www.SMA-Service.com                   |
|             |  | Κύπρος              |   |
| España      | SMA Ibérica Tecnología Solar,<br>S.L.U.<br>Barcelona<br>+34 935 63 50 99<br>SMA Online Service Center:<br>www.SMA-Service.com  | United King-<br>dom | SMA Solar UK Ltd.<br>Milton Keynes<br>+44 1908 304899<br>SMA Online Service Center:<br>www.SMA-Service.com                          |
| Portugal    |  |                     |   |
| Italia      | SMA Italia S.r.l.<br>Milano<br>+39 02 8934-7299<br>SMA Online Service Center:<br>www.SMA-Service.com   | Australia           | SMA Australia Pty Ltd.<br>Sydney<br>Toll free for Australia:<br>1800 SMA AUS<br>(1800 762 287)<br>International:<br>+61 2 9491 4200 |

|                      |   |                                      |  |
|----------------------|---|--------------------------------------|--|
| United Arab Emirates | SMA Middle East LLC<br>Abu Dhabi<br>+971 2234 6177<br>SMA Online Service Center:<br>www.SMA-Service.com   | India                                | SMA Solar India Pvt. Ltd.<br>Mumbai<br>+91 22 61713888       |
| ไทย                  | SMA Solar (Thailand) Co., Ltd.<br>กรุงเทพฯ<br>+66 2 670 6999  | 대한민국                                 | SMA Technology Korea Co., Ltd.<br>서울<br>+82-2-520-2666       |
| South Africa         | SMA Solar Technology South Africa Pty Ltd.<br>Cape Town<br>08600SUNNY (08600 78669)<br>International: +27 (0)21 826 0699<br>SMA Online Service Center:<br>www.SMA-Service.com | Argentina<br>Brasil<br>Chile<br>Perú | SMA South America SPA<br>Santiago de Chile<br>+562 2820 2101 |
| Other countries      | International SMA Service Line<br>Niestetal<br>00800 SMA SERVICE<br>(+800 762 7378423)<br>SMA Online Service Center:<br>www.SMA-Service.com                                   |                                      |  |



