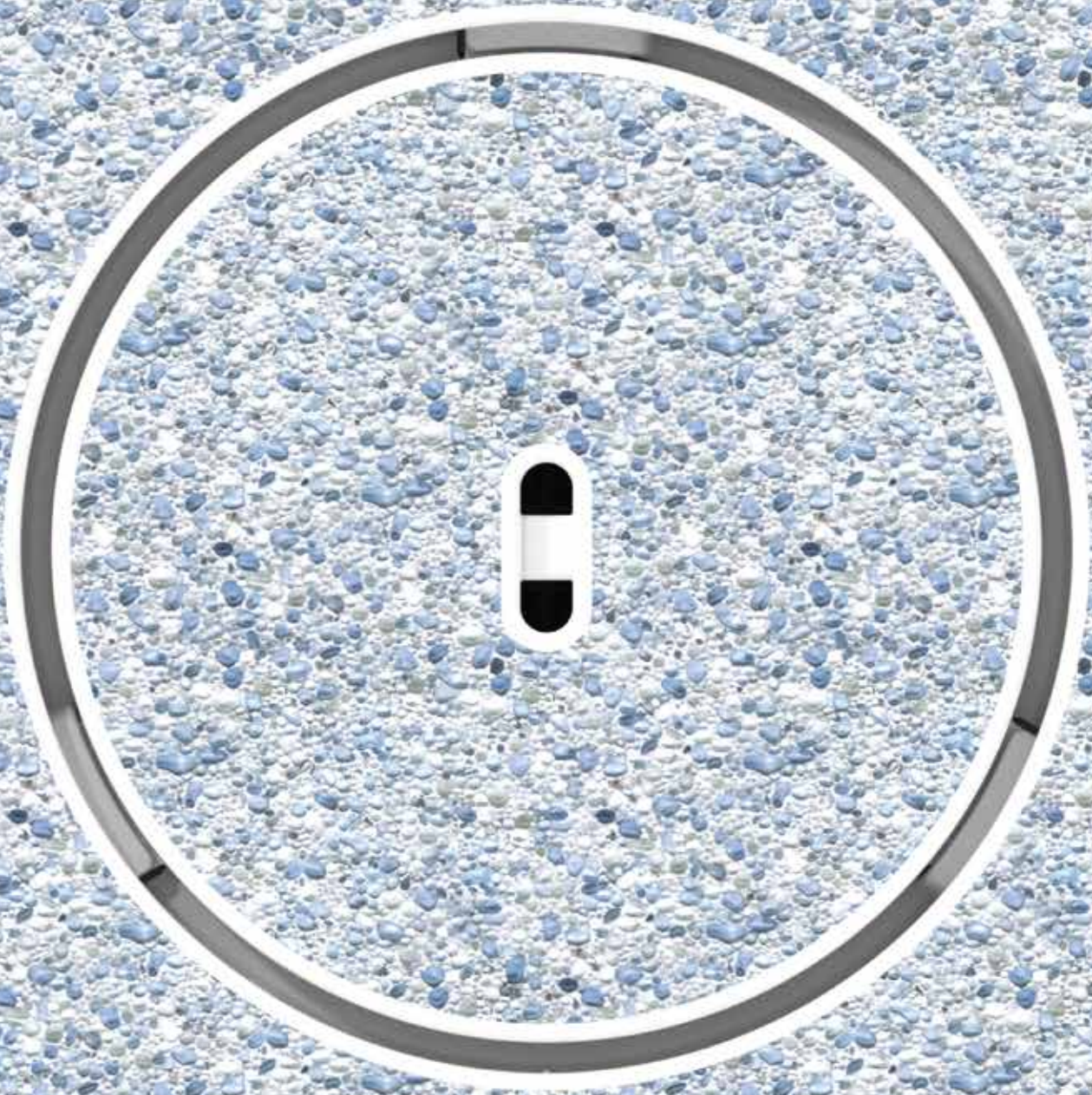


AQUEA

MAIN DRAIN



FOR A SIMPLY FLAWLESS FINISH

THE SIMPLE AND SEAMLESS MAIN DRAIN SOLUTION FOR CONCRETE POOLS

The AQUEA Main Drain is a complete and superior solution for your next pool project. Easy to install and service, the flush-fitting lid integrates into the surrounding pool interior for a flawless finish every time.

Our retro-fit lid kit is also available separately for pool upgrades and renovations, and suits many popular main drain fittings.



AQUEA PRODUCTS ARE DESIGNED IN AUSTRALIA TO SUIT AUSTRALIAN POOLS

SUPERIOR FINISH

Flush-fitting lid with perimeter venting provides a seamless finish that matches your pool interior.

DURABLE & SECURE

Pebble rim protects pool finish and our twist & click lid eliminates fiddly and unsightly screws.

SIMPLE INSTALLATION

Construction cap keeps concrete and debris out of niche and stem during pool construction.

EASY TO SERVICE

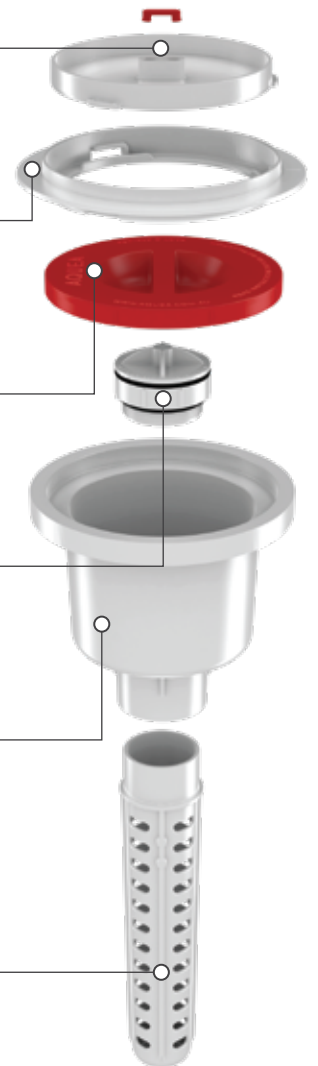
Suits most standard 50mm hydrostatic valves for easy servicing & replacement.

CLEAR ACCESS

Simplified niche with central stem provides greater access into niche without internal obstructions. The clean exterior shape also simplifies installation during concreting.

ROBUST CONNECTION

Stem quickly and simply glues into niche for a reliable and robust connection.



Central valve for easier access & replacement.



Construction cap helps keep niche clean during construction.



Superior internal access, with no obstructions.



Flush-fit lid clicks securely in place and looks great.

474-809-04

AQUEA

SUPERIOR PRODUCTS FOR YOUR POOL & LANDSCAPE

HELLO@AQUEA.COM.AU

WWW.AQUEA.COM.AU

0481 875 870