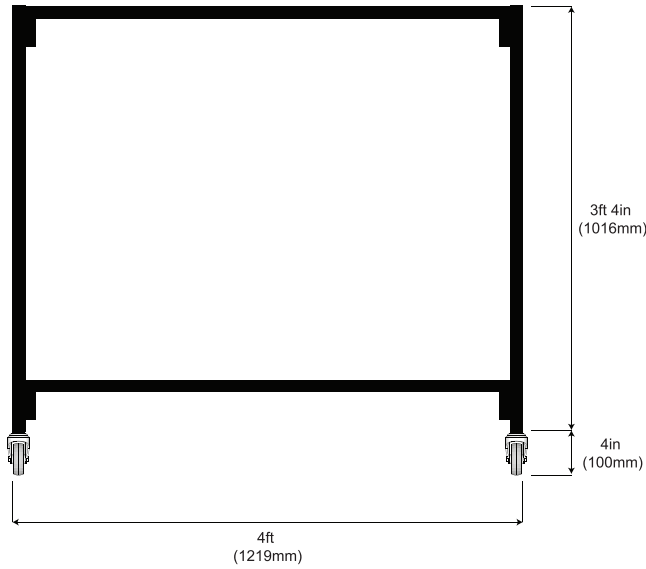
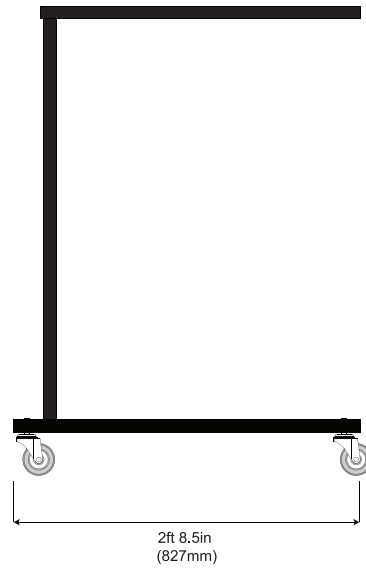


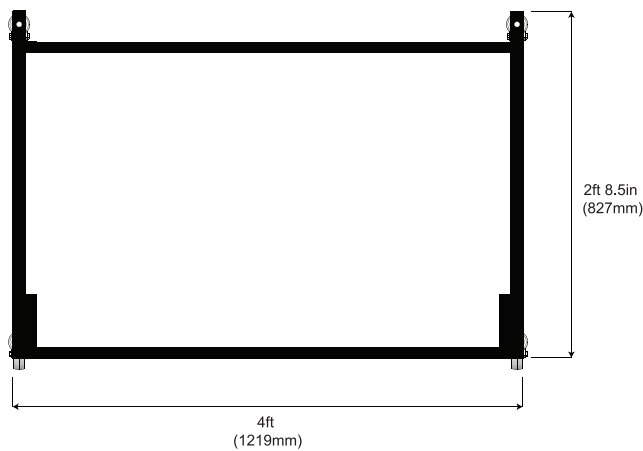
FRONT



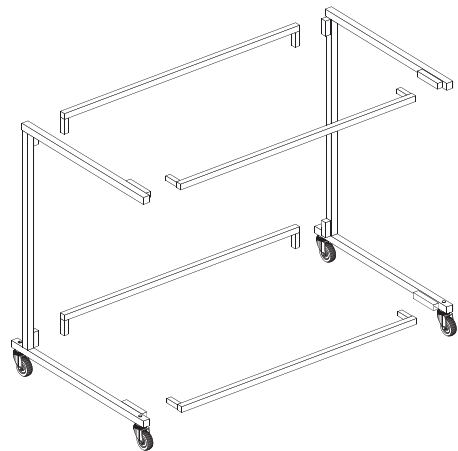
SIDE



TOP



ASSEMBLY



yeloStand® SLOT Ultra Heavy Duty Sofa Display Stand Specification (including wheels)		
Size	4ft x 2ft 8.5in x 3ft 8in (1219mm x 827mm x 1117mm) — length x depth x height	
Footprint	4ft x 2ft 8.5in (1219mm x 827mm) — length x depth	
Maximum Weight Loading	100kg on upper arms, 100kg on lower arms, 200kg combined, not exceeding 106kg on upper arms.	
Weight	18kg	
Number of parts	5 pieces	
Longest unbroken length	3ft 10in (1168mm)	
Warranty	5 years	
Materials used	Frame	30mm x 30mm steel box section, 2mm wall thickness and 25mm x 25mm steel box section, 2mm wall thickness
	Finish	Black powder coat
	Wheels	Rubber tyre, polypropylene centred, zinc plated steel pressing (2 x braked, 2 x non braked)
Estimated assembly time	2 minutes (1 person)	
Typical uses	Ideal for retail and warehouse environments and for indoor and outdoor use	



TOOLS REQUIRED: Wheels are not supplied fitted. An 8mm allen key and 17mm spanner are required.



**CAUTION: You must ensure you have fully read the enclosed safety guidelines before attempting to assemble or use this product**



## WARNING

**✗ Do not place products weighing in excess of 106kg on the top arms of this product. The maximum load spread across upper and lower arms should not exceed 200kg.**

**✗ Do not** climb on framework.

**✗ Do not** use a steel hammer to assemble framework, doing so may cause damage to surface finishes or bodily injury.  
*Note: no specialist tools are required to assemble this product but if so required, use a rubber or wooden mallet only.*

**✗ Do not** assemble framework on a steep incline. Assemble on level ground only.

**✗ Do not** let rain or snow accumulate on the roof canopy.

! When new, the framework assembly may be stiff. This stiffness will ease with regular use.

! When new, the framework of this product may contain loose metal filings. Be careful when first assembling.

! When new, oil residue may be present around connection points. Be careful when first assembling.

! Always ensure wheel brakes are engaged when the stand is stationary. Do not leave the stand unattended if wheel brakes are not engaged.



## DISCLAIMER

**Read this before setting up or using your YELOSTAND® product.**

Improper use of this product and/or its components can cause damage to equipment or property, serious personal injury or death.

YELOSTAND® shall not be liable for any damages arising out of the use of this product, including, but not limited to, damages for economic loss of profits or savings, lost wages; damages to or loss of use of property; bodily injury; medical payments; pain and suffering; and loss of consortium.

### LIMITED WARRANTY FOR NEW YELOSTAND® DISPLAY STANDS

#### WHAT IS WARRANTED

All components of this display stand are covered by a limited 60-month warranty and are warranted free from defects in material and workmanship for a period of 60 months from the date of purchase. The warranty is valid as of the day of purchase and a dated proof of purchase should be presented upon request.

#### WHAT IS NOT WARRANTED – YELOSTAND® IS NOT RESPONSIBLE FOR THE FOLLOWING:

Normal wear and tear and/or damage caused by use of force, incorrect handling, inappropriate use, neglect, alteration, assembly not in accordance with the manual or improper anchoring. YELOSTAND® have no obligation whatsoever to repair, replace, adjust or otherwise compensate the purchaser if this display stand sustains damage and malfunctions as a result of misuse, abuse, negligence, accident, a lack of proper maintenance, impact by foreign objects, storms, floods, pollutants, chemicals, acts of God or any other cause outside the control of YELOSTAND®.

#### WARRANTY SERVICE

For customer assistance with warranty claims please contact [yoyelo.co.uk](http://yoyelo.co.uk) via our website.

In all communications proof of purchase will be required along with a description and photograph of the claimed defect.

#### LIMITATION OF IMPLIED WARRANTIES

YELOSTAND® will not have other or greater liability for defects in the product, nor will YELOSTAND® have any liability for incidental, special or consequential damages of any kind whether for breach of any express written or oral or implied warranty on products, breach of contract, negligence, misrepresentation, or otherwise, and whether resulting in lost profits, loss of investment or interest on investment, work stoppage or otherwise. Your exclusive remedy shall be enforcement of this warranty upon the terms and conditions herein contained. No representative of YELOSTAND® or its distributors is authorised to make any change or modification to this warranty.