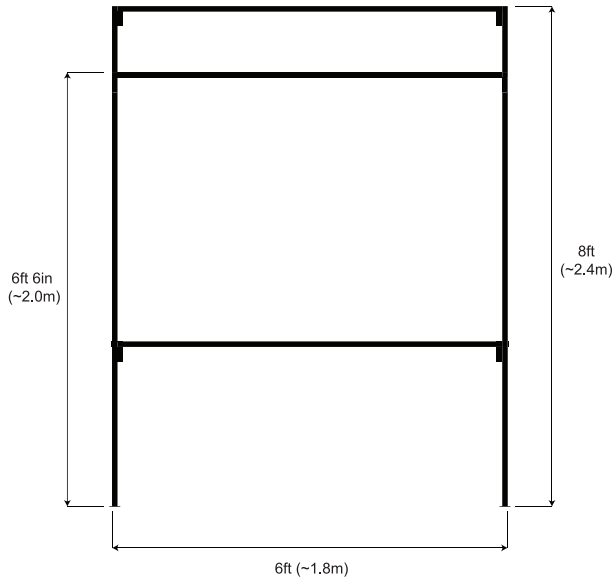
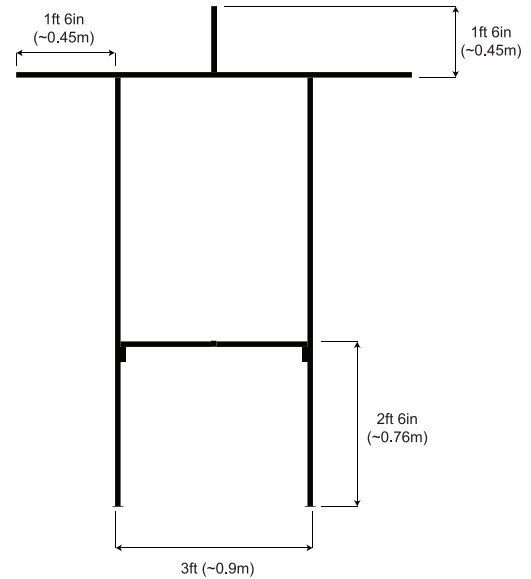


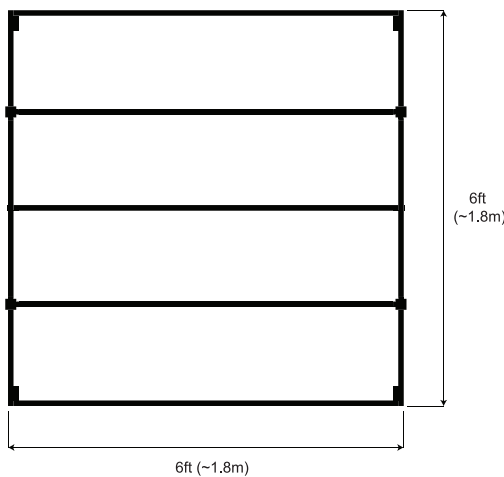
FRONT



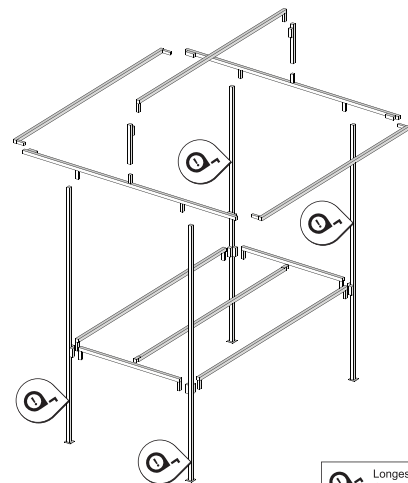
SIDE





TOP



ASSEMBLY



 Longest unbroken length (see table below for details)

yeloStand® ONE Integrated Counter Stand Specification		
<i>Metric dimensions (metres) are approximate</i>		
Counter size (frontage x depth)	6ft x 3ft (1.8m x 0.9m)	
Footprint (frontage x depth)	6ft x 6ft (1.8m x 1.8m)	
Weight	Frame only (steelwork only)	30kg
	Full kit (includes frame, roof canopy, counter wrap, counter boards)	50kg
Number of parts	Frame	16 pieces
	Roof canopy and counter wrap	2 pieces (1 roof canopy, 1 counter skirt)
	Counter boards	3 pieces (3 x 3ft x 2ft / 0.9m x 0.6m each)
Roof overhang	1ft 6in (0.45m) front and rear extension	
Longest unbroken length 	6ft 6in (leg upright, as indicated on assembly diagram above)	
Dismantled dimensions (for storage/transportation reference)	Frame	6ft 6in x 1ft x 1ft (1.9m x 0.3m x 0.3m)
	Roof canopy and counter wrap	3ft x 2ft x 6in (0.9m x 0.6m x 0.15m)
	Counters	3ft x 2ft x 2in (0.9m x 0.6m x 0.05m)
Warranty	5 years	
Materials used	Frame	1in x 1in (25mm x 25mm) steel box section, 2mm wall thickness. Silver zinc plate finish, clear passivation
	Roof canopy and counter wrap	550gsm fire retardant PVC, built in elastic bungee cords, steel s-hooks, fabric hook and loop fasteners
	Counters	9mm exterior grade plywood sheet
Estimated assembly time	5 minutes (1-2 people)	
Typical uses	Ideal for farmers markets, car boot sales and village fetes. A versatile base for selling a huge range of products. Perfect for first time traders right through to seasoned professionals.	