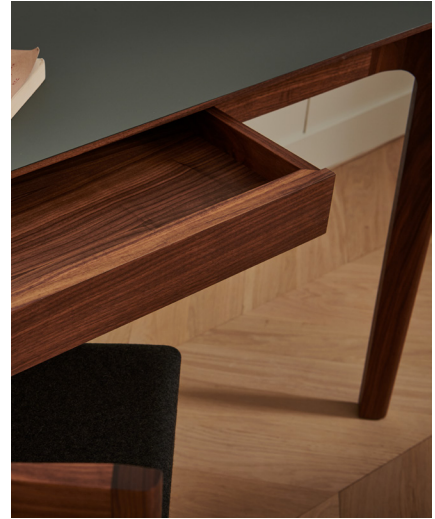


KASTELLA

Cove Collection

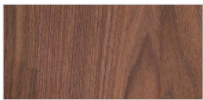
Cove, our newest collection, originally inspired by a simple curved form became our most technically challenging. The junction of the flared apron and the rounded legs pushed our woodworking team to maintain the original design direction while ensuring the integrity of the structure.



T408 | Desk

The T408 features an inset apron on all four sides and a subtle cove detail for which the collection is named. The table top is available in solid wood like the base or Fenix NTM, a highly resistant acrylic resin as pictured here.

MATERIALS



American Black Walnut



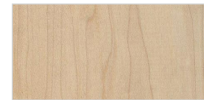
American White Oak



Bleached White Oak



Blackened Black Oak



Quebec Maple

SPECIFICATIONS

- Finished with a hand rubbed oil or a matte water based lacquer.
- Handmade in Montréal.

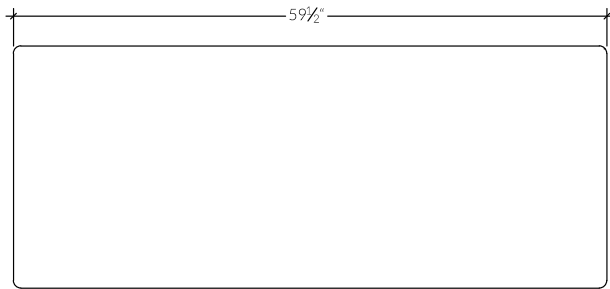
DIMENSIONS

- 60 in x 24 in / Height 30 in
- 60 in x 30 in / Height 30 in
- Desk top is available in solid wood or in Fenix

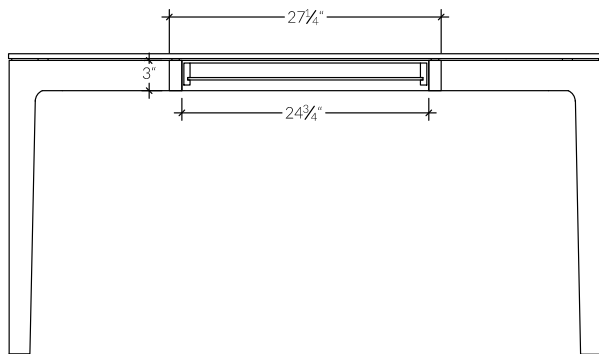
KASTELLA

Cove Collection

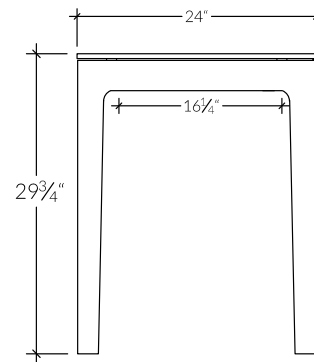
T408 | Desk



TOP VIEW



FRONT VIEW



PROFILE