

KASTELLA

F45 Collection

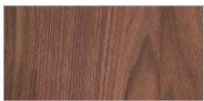
F45 is a collection inspired by the mitre joint, a woodworking term used to describe the joinery of two 45-degree angles. The pieces are defined by angular, tapered elements that form the base aesthetic of the collection. In this collection we introduced Fenix NTM, a highly resistant, acrylic resin ideal for table tops.



T407F | Desk

The T407F with its angular edges and tapered legs is part of the F45 collection. The desktop is made with Fenix NTM, a highly resistant acrylic resin that's super soft to touch and easy to wipe clean. At 24" deep the desk offers plenty of room for a laptop or even a desktop.

MATERIALS



American Black Walnut



American White Oak



Bleached White Oak



Quebec Maple



Black Fenix

SPECIFICATIONS

- Finished with a hand rubbed oil or a matte water based lacquer.
- Handmade in Montréal.

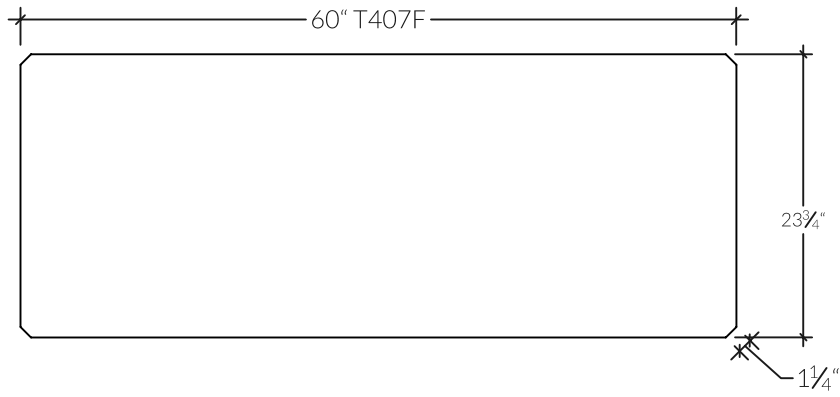
DIMENSIONS

- 60 in x 24 in / Height 30 in
- Desk top is available in solid wood or Black Fenix

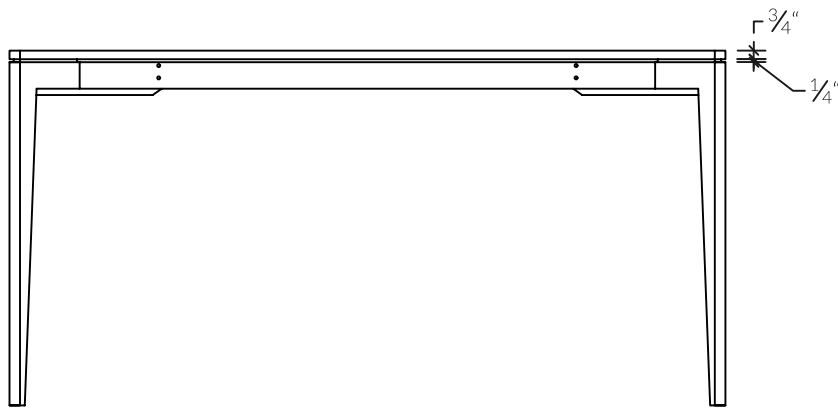
KASTELLA

F45 Collection

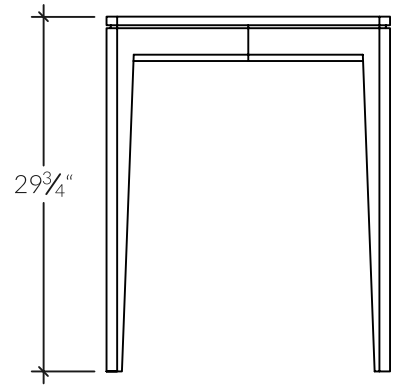
T407F | Desk



TOP VIEW



FRONT VIEW



PROFILE