

KASTELLA

Cove Collection

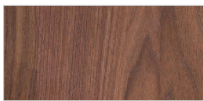
Cove, our newest collection, originally inspired by a simple curved form became our most technically challenging. The junction of the flared apron and the rounded legs pushed our woodworking team to maintain the original design direction while ensuring the integrity of the structure.



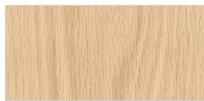
T113 | Dining table

This table is all about the details. The T113 has a solid wood top with a subtle cove detail on all four sides and an inset apron that curves into the legs. We purposely placed the table legs at the far corners creating ample seating room – This table was made for hosting.

MATERIALS



American Black Walnut



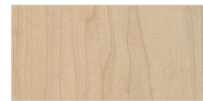
American White Oak



Bleached White Oak



Blackened Oak



Quebec Maple

SPECIFICATIONS

- Finished with a hand rubbed oil or a matte water based lacquer.
- Handmade in Montréal.

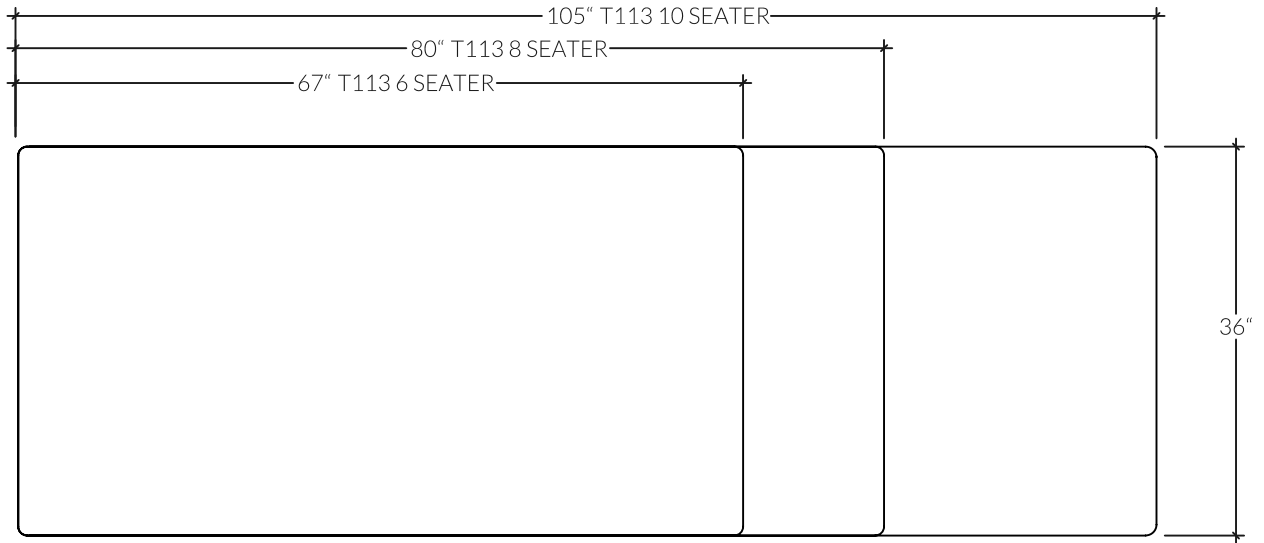
DIMENSIONS

- 6 seats: 67 in x 36 in / Height 30 in
- 8 seats: 80 in x 36 in / Height 30 in
- 10 seats: 105 in x 36 in / Height 30 in

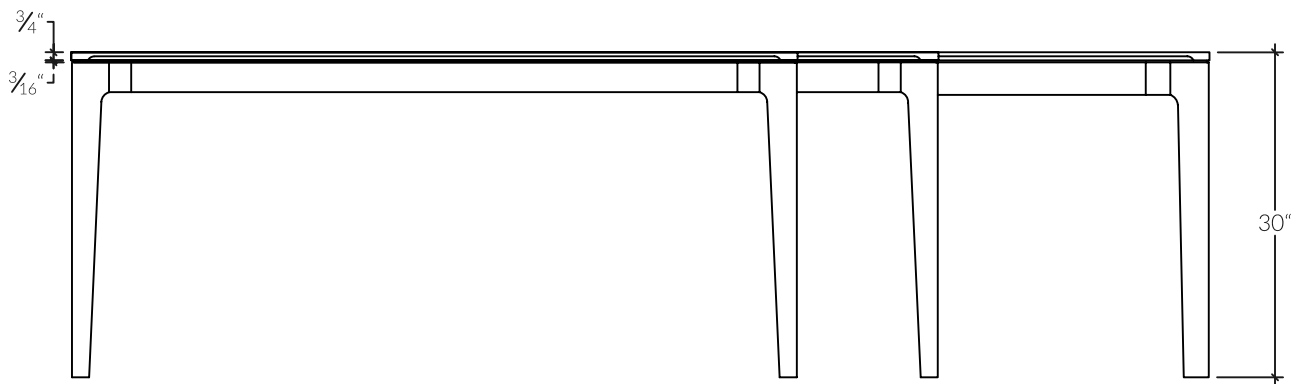
KASTELLA

Cove Collection

T113 | Dining table



TOP VIEW



FRONT VIEW