

# KASTELLA

## F45 Collection

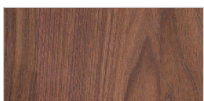
F45 is a collection inspired by the mitre joint, a woodworking term used to describe the joinery of two 45-degree angles. The pieces are defined by angular, tapered elements that form the base aesthetic of the collection. In this collection we introduced Fenix NTM, a highly resistant, acrylic resin ideal for table tops.



## T110 | Dining table

The T110 is a solid wood table with angular legs and a recessed apron allowing for greater customizability. This table can easily be made up to 10ft in length, which comfortably seats 12 - perfect for entertaining.

## MATERIALS



American Black Walnut



American White Oak



Bleached White Oak



Blackened Oak



Quebec Maple

## SPECIFICATIONS

- Finished with a hand rubbed oil or a matte water based lacquer.
- Handmade in Montréal.

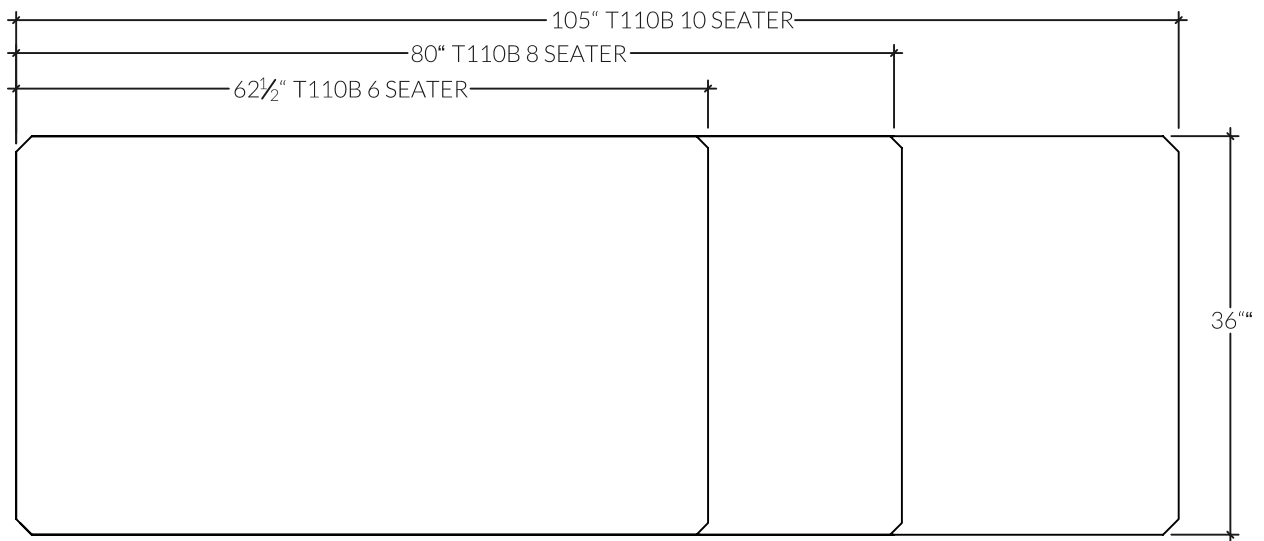
## DIMENSIONS

- 6 seats: 63 in x 36 in / Height 30 in
- 8 seats: 80 in x 36 in / Height 30 in
- 10 seats: 105 in x 36 in / Height 30 in

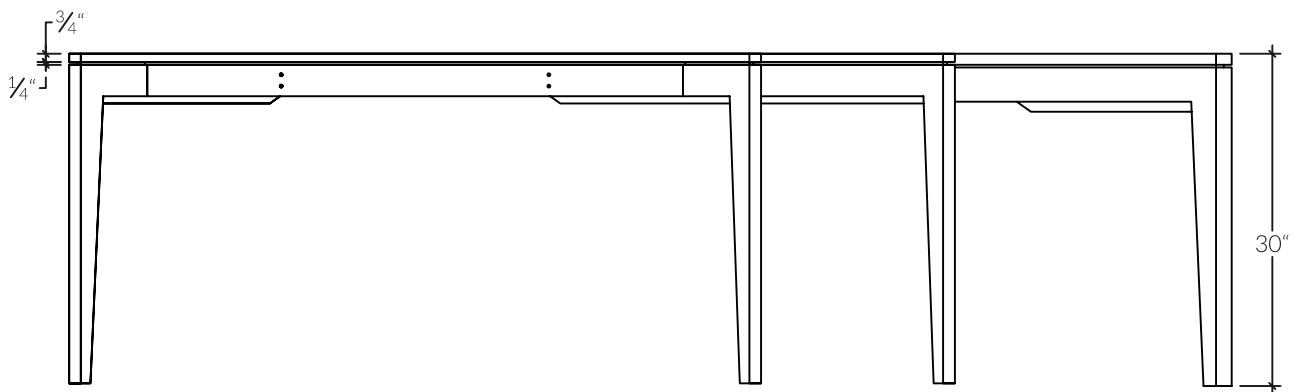
# KASTELLA

## F45 Collection

### T110 | Dining table



TOP VIEW



FRONT VIEW