

KASTELLA

F45 Collection

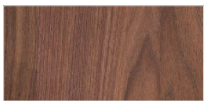
F45 is a collection inspired by the mitre joint, a woodworking term used to describe the joinery of two 45-degree angles. The pieces are defined by angular, tapered elements that form the base aesthetic of the collection. In this collection we introduced Fenix NTM, a highly resistant, acrylic resin ideal for table tops.



T110F | Dining table

The T110F is made with Fenix NTM, an innovative highly resistant acrylic resin that's super soft to touch, easy to wipe clean and sturdy enough for busy family life. This table is made with black Fenix and a solid walnut base.

MATERIALS



American Black Walnut



American White Oak



Bleached White Oak



Quebec Maple



Black Fenix

SPECIFICATIONS

- Finished with a hand rubbed oil or a matte water based lacquer.
- Handmade in Montréal.

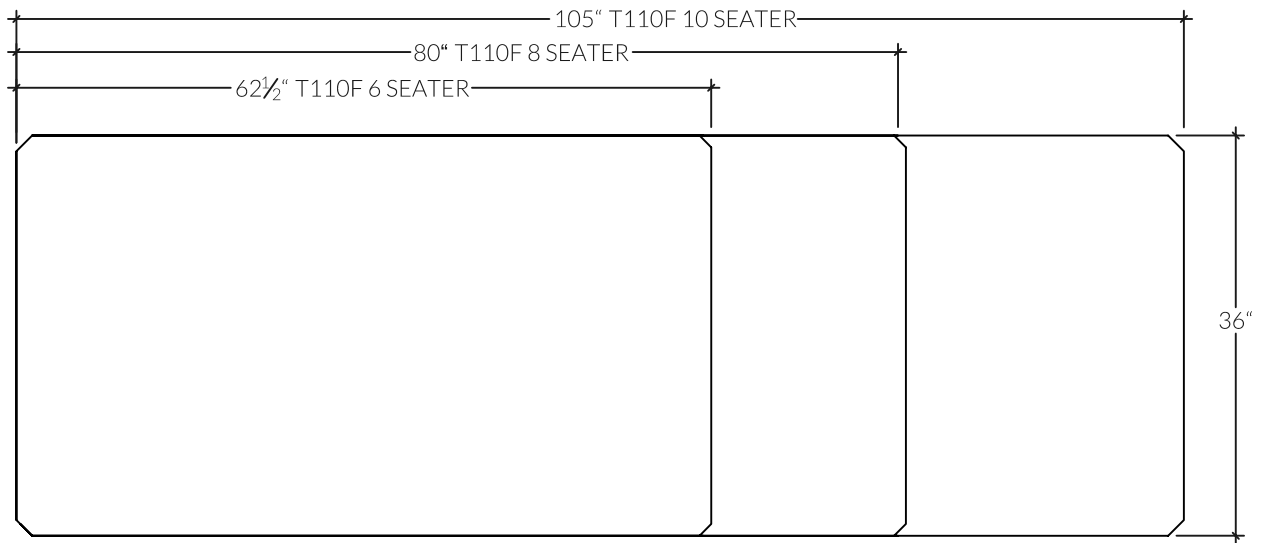
DIMENSIONS

- 6 seats: 63 in x 36 in / Height 30 in
- 8 seats: 80 in x 36 in / Height 30 in
- 10 seats: 105 in x 36 in / Height 30 in

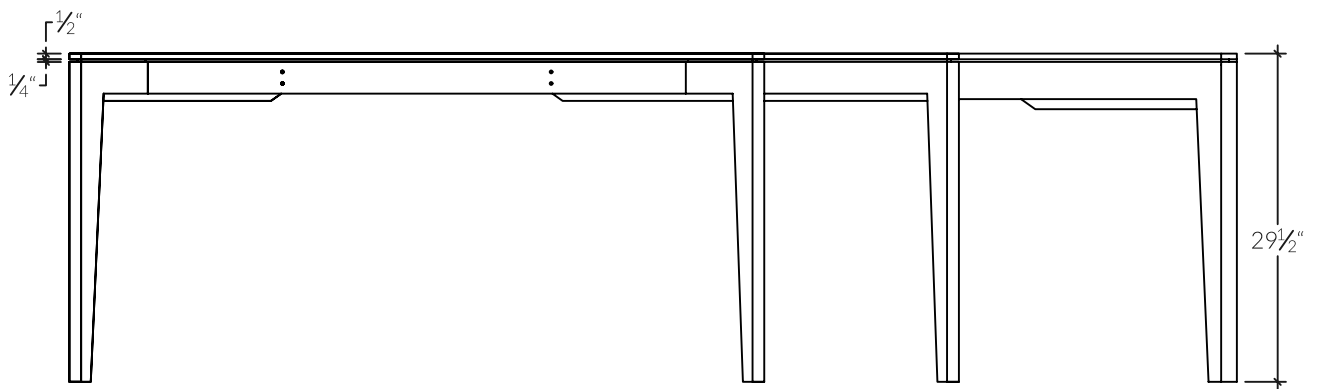
KASTELLA

F45 Collection

T110F | Dining table



TOP VIEW



FRONT VIEW