

KASTELLA

Shift Collection

The Shift collection represents the company's transition from a predominantly geometric aesthetic to the use of softer, rounded lines. The collection takes its cues from American mid century furniture as well as the simplicity and functionality of Scandinavian design. Through the rounded legs and soft edges, the pieces were designed to bring an effortless feel and a sense of lightness to the wood.



C402 | Stool

Inspired by our chair collection, the C402 is a handcrafted counter height stool, with an upholstered seat and a curved backrest. The solid wood frame is supported by 4 horizontal crossbars, providing extra reinforcement while maintaining the delicate proportions of the original C205 dining chair.

MATERIALS



American Black Walnut



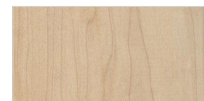
American White Oak



Bleached White Oak



Blackened Black Oak



Quebec Maple

SPECIFICATIONS

- Finished with a hand rubbed oil or a matte water based lacquer.
- Handmade in Montréal.
- Custom Fabrics available

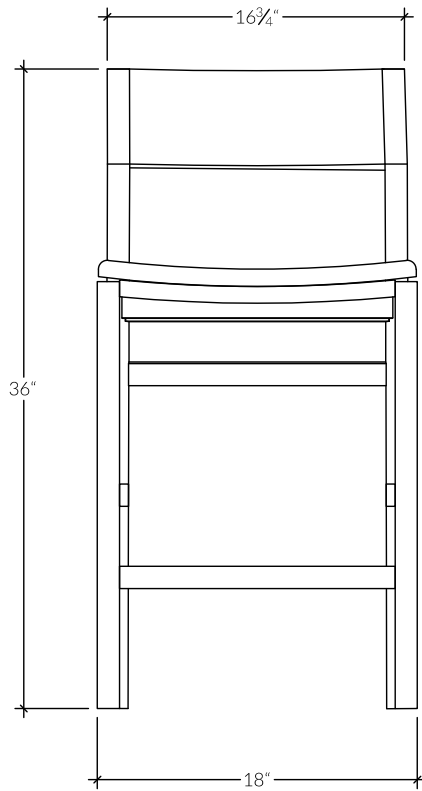
DIMENSIONS

- Counter: 18 x 22 in / Height 36 in
- Bar: 18 in x 22 in / Height 42 in

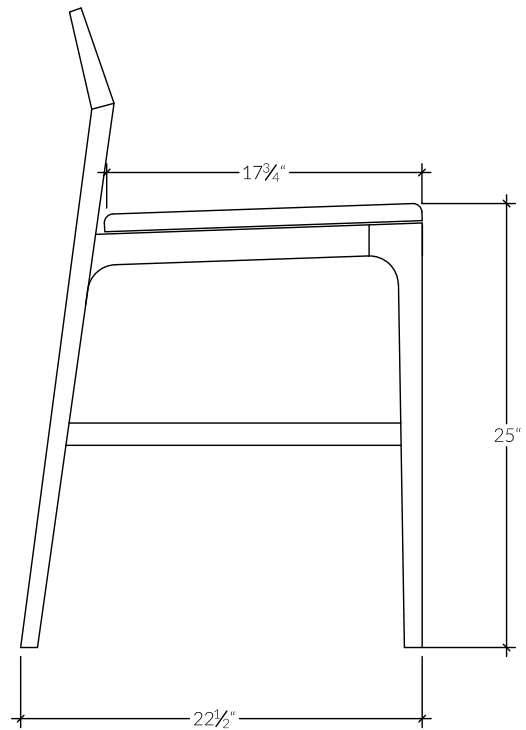
KASTELLA

Shift Collection

C402 | Stool



FRONT VIEW



PROFILE