

# KASTELLA

## Shift Collection

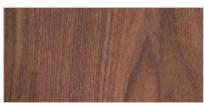
The Shift collection represents the company's transition from a predominantly geometric aesthetic to the use of softer, rounded lines. The collection takes its cues from American mid century furniture as well as the simplicity and functionality of Scandinavian design. Through the rounded legs and soft edges, the pieces were designed to bring an effortless feel and a sense of lightness to the wood.



### C205 | Chair

The C205 is a handcrafted, solid wood chair that is both durable in structure and light in appearance. The curved seat and rounded details highlight the chair's elegance while providing maximum comfort.

### MATERIALS



American Black Walnut



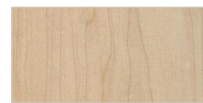
American White Oak



Bleached White Oak



Blackened Oak



Quebec Maple

### SPECIFICATIONS

- Finished with a hand rubbed oil or a matte water based lacquer.
- Handmade in Montréal.

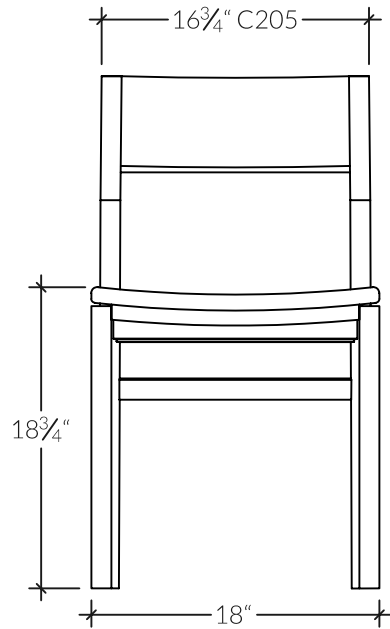
### DIMENSIONS

- 18 in x 22 in / Height 32 in

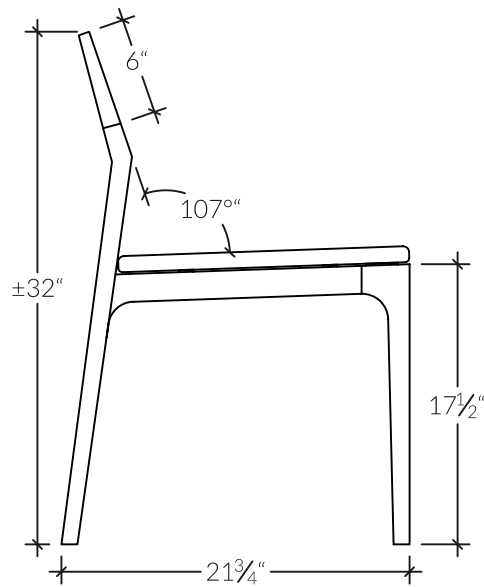
# KASTELLA

## Shift Collection

### C205 | Chair



FRONT VIEW



PROFILE