

KASTELLA

F45 Collection

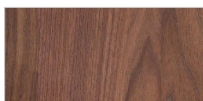
F45 is a collection inspired by the mitre joint, a woodworking term used to describe the joinery of two 45-degree angles. The pieces are defined by angular, tapered elements that form the base aesthetic of the collection. In this collection we introduced Fenix NTM, a highly resistant, acrylic resin ideal for table tops.



C111 | Bench

The C111, with its angular lines and recessed apron, was made to sit alongside the T110 dining table. However, we think you'll find it equally as elegant in an open entranceway.

MATERIALS



American Black Walnut

American White Oak

Bleached White Oak

Blackened Oak

Quebec Maple

SPECIFICATIONS

- Finished with a hand rubbed oil or a matte water based lacquer.
- Handmade in Montréal.

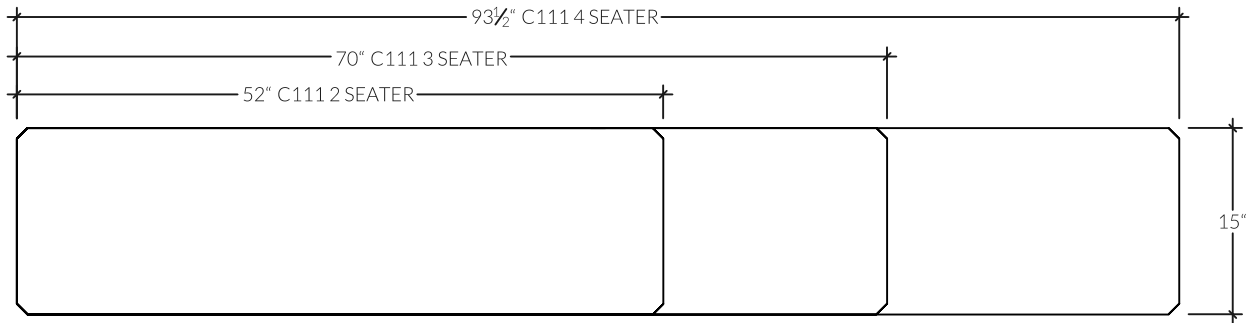
DIMENSIONS

- 2 seats: 52 in x 15 in / Height 18 in
- 3 seats: 70 in x 15 in / Height 18 in
- 4 seats: 94 in x 15 in / Height 18 in

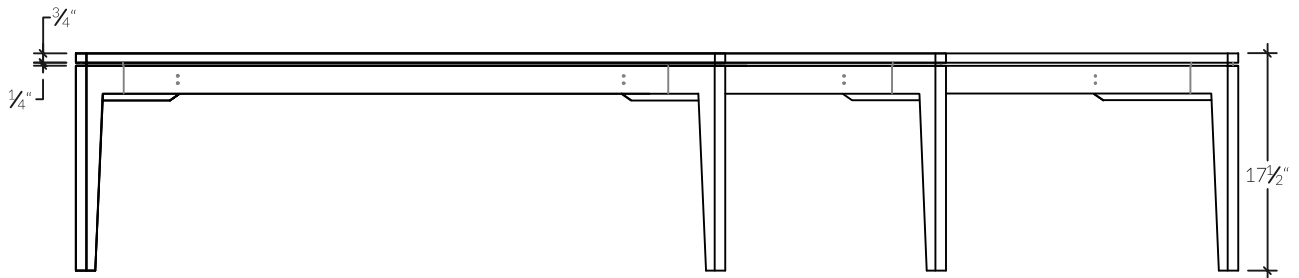
KASTELLA

F45 Collection

C111 | Bench



TOP VIEW



FRONT VIEW