

## Shift Collection

### C205 | Dining Chair



Designed and handmade in Montreal, the C205 chair is a timeless contemporary chair. Handcrafted from solid wood, the C205 is both durable in structure and light in appearance. The bent plywood seat allows for lighter foam, highlighting the chair's elegance while providing maximum comfort.

### SPECIFICATIONS

- 18 in x 22 in - H 32 in
- Fabric options available

### FINISHES



Maple - Water based finish



White oak - Water based finish



White oak - Bleached - Water based finish



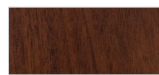
White oak - Natural oil



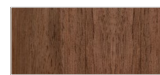
Walnut - Traditional oil



Walnut - Water based finish



Walnut select - Traditional oil



Walnut select - Water based finish

### 75% WOOL, 25% FLAX



Upminster



Archway



Camden



Temple

### 100% LEATHER



Beige



Black

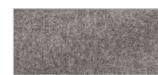
### 100% WOOL



Dartmouth



Silverdale



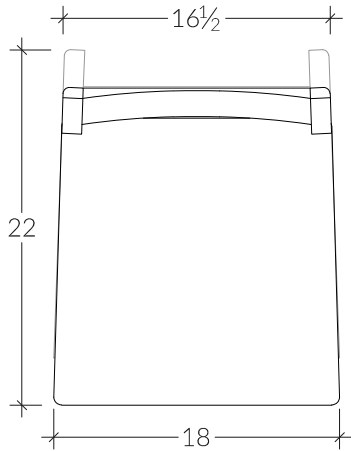
Surrey



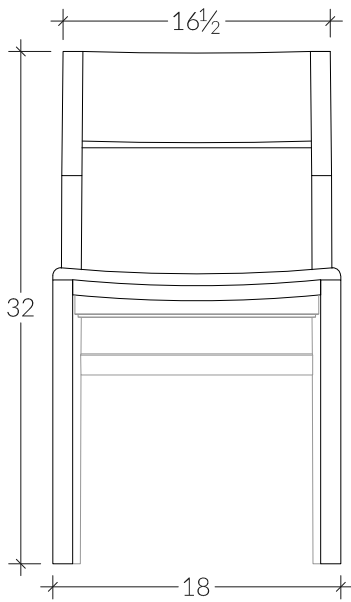
Napier

# KASTELLA

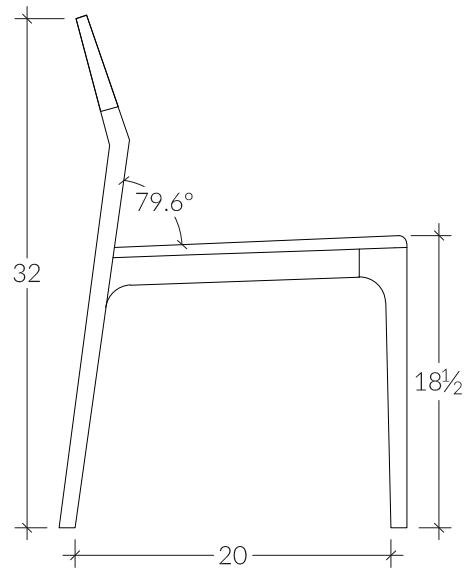
## C205 | Dining Chair



TOP VIEW



FRONT VIEW



SIDE VIEW