

Custom Install

INSTALLATION GUIDE

GUIDE PRODUIT & INSTALLATION

MANUALE DEL PRODOTTO E DI INSTALLAZIONE

PRODUKT- UND INSTALLATIONSHANDBUCH

GUÍA DE INSTALACIÓN Y DEL PRODUCTO

GUIA DO PRODUTO E INSTALAÇÃO

PRODUCT- EN INSTALLATIEHANDLEIDING

产品和安装指南

РУКОВОДСТВО ПО УСТАНОВКЕ И ЭКСПЛУАТАЦИИ

インスレーションガイド

دليل التركيب

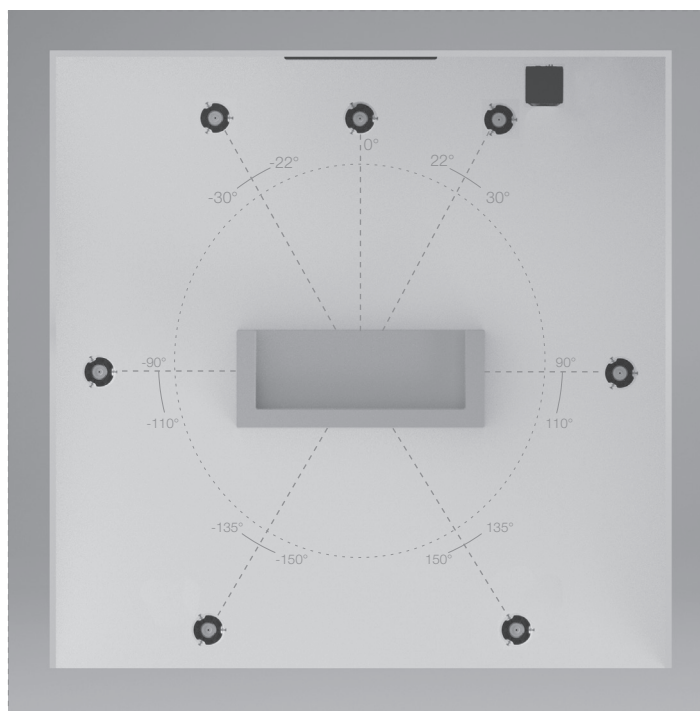
INSTRUKCJA INSTALACJI



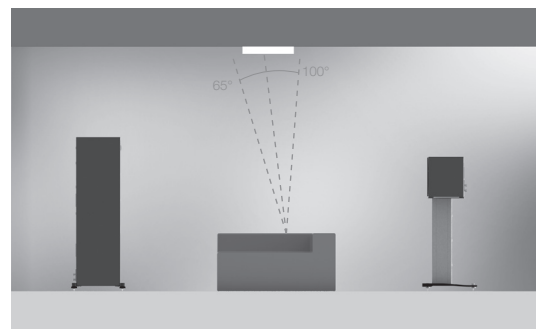
Languages

English	2
Français	4
Italiano	6
Deutsch	8
Español	10
Português	12
Nederlands	14
中文	16
РУССКИЙ	18
日本語	20
ةيبرعلا	22
POLSKI	24

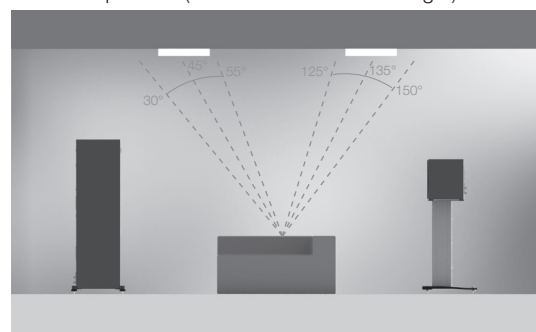
Optimum Speaker Positioning 5 or 7 Channel System



Atmos



2 Atmos speakers (in line with front left and right)



4 Atmos Speakers (in line with front left and right)

Prior to Fitting the Custom Install Series Speakers



CAUTION: These Custom Install loudspeakers can only be fixed into plasterboard (dry-lined) or suspended ceilings/ walls with a thickness of up to 45mm (1 3/4"). Solid wall installation will require channelling out and frame work constructed to provide a structure for the Tri Grip dog legs to clamp to. For safety reasons, if you are unsure of your ability to provide a secure and safe fixing, do not attempt to fix these speakers, please obtain the services of a competent and qualified trades person.



CAUTION: Ensure that there are no water pipes or electricity cables running within the wall structure before cutting the speaker apertures. Work from secure steps and avoid trailing wires.

Painting the Grilles



NOTE: If choosing to paint the grille, we recommend you follow these simple steps:

1. Remove the membrane scrim from the inside of the grille.
2. Paint all grilles required for the installation with the same batch of paint (if they are to be the same colour). Spray paint is easier to apply or use a stippling action when brushing to avoid blocking the holes of the grille.
3. When dry, attach the spare membrane scrim (where supplied) into the inside of the grille.
4. Fit the grille to the speaker (s).

Over Tightening Warning



ATTENTION INSTALLERS:

Do not over-tighten the Tri-Grip Dog Leg clamps. Over tightening the clamping mechanism on any in ceiling/ in wall speaker can result in damage to the speaker mounting hardware, ceiling/ wall or speaker frame, and/ or deflection in the speaker frame during installation.

If you notice any of the above during installation, you have overtightened the Tri Grip dog leg. Back off the mounting screw until deflection is reduced to allow the product to sit firmly against the ceiling / wall.



Do not exceed 5Kgf/cm (4.34 lbf/inch.) or 0.5 NM when tightening the Tri Grip dog leg screws.

When using a cordless screwdriver/ drill to install this product ensure the clutch is set to it's lowest setting to avoid over-tightening and damaging the mounting hardware.

Speaker Controls

High Frequency Level Adjust

With the HF setting on the '0' position, the speaker will give you a neutral sound with no additional adjustments made. Switching to the '+db' position will give the high frequencies a boost, giving you more clarity and presence in the treble while switching to the '-db' will do the opposite. This position can be useful if you want more prominence in the bass frequencies.

Mid Frequency Level Adjust

With the Mid setting on the '0' position, the speaker will give you a neutral sound with no additional adjustments made. Switching to the '+db' position will give the Mid frequencies a boost, giving you warmer sound with more presence in the vocal register while switching to the '-db' will do the opposite.

Boundary Compensation Switch

When a speaker is placed near a corner or wall it can sometimes make the bass too 'boomy' as low frequencies reflect off the nearby surfaces. If the bass is too 'boomy' for your liking then, like a port bung, the Boundary Compensation switch can be used to dampen the bass being produced by the speaker.

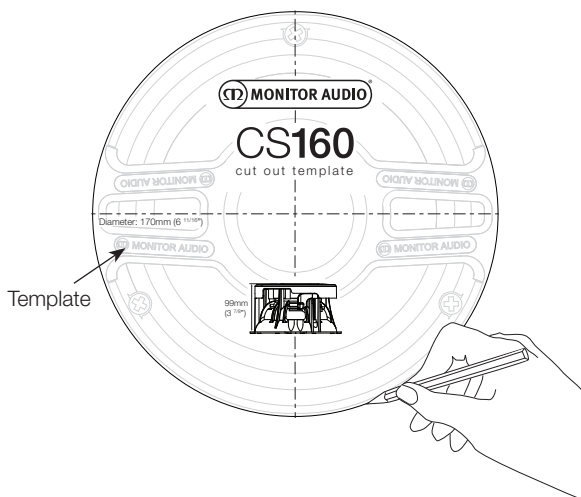
NOTE: As with all audio, the settings you chose to use are subject to your own personal tastes and the affect your room has on the acoustics. Experimentation is strongly advised to find the best setting for you.

Guarantee

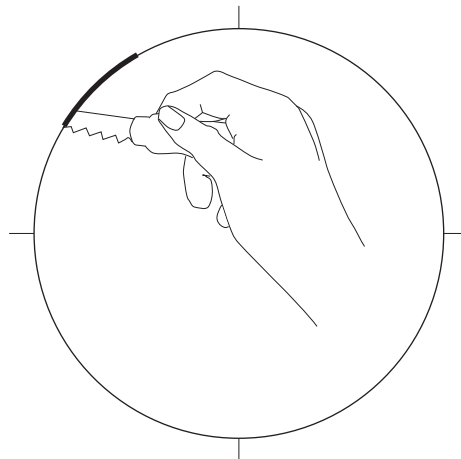
Both the craftsmanship and the performance of this product is guaranteed against manufacturing defects for a period of **five years** for speakers from the date of purchase (see conditions in the Important Safety Instructions booklet), provided that the product was supplied by an authorised Monitor Audio retailer under the consumer sale agreement.

To help us find your warranty details within our customer database, should the need arise, please take a few minutes to register your product(s) online at: monitoraudio.com.

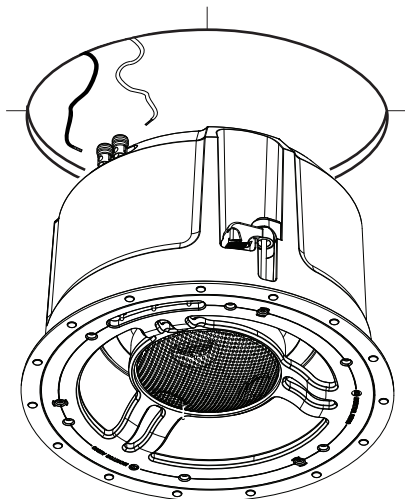
1 Draw around template and mark centre lines if necessary



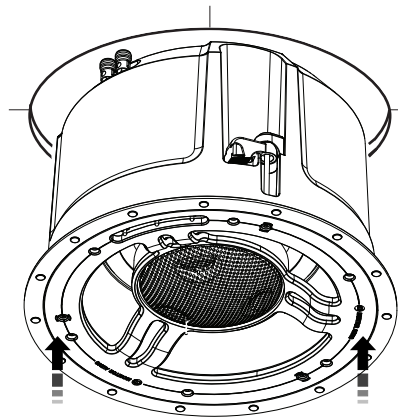
2 Cut around marked line



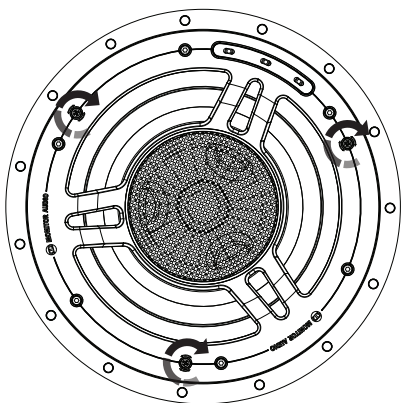
3 Connect speaker cables by pushing down on the terminals and clamping the bare wire in the through hole.



4 Guide speaker into cut out



5 Tighten Tri-Grip screws.



See over tightening warning.

6 Fit grilles. They are held in place magnetically and should 'snap' into place.

