

## INSTALLATION AND OPERATION MANUAL



### DIRECT VENT GAS WATER HEATER DIRECT SPARK IGNITION (DSI)



**MODELS**  
**SW10D • SW10DM • SW10DE • SW10DEM**  
**SW12D • SW12DE • SW12DEM**  
**SW16D • SW16DE • 16DEM**

**FOR INSTALLATION IN RECREATIONAL  
VEHICLES AND MOBILE HOUSING**

#### **FOR YOUR SAFETY WHAT TO DO IF YOU SMELL GAS**

- DO NOT TRY TO LIGHT ANY APPLIANCE.
- DO NOT TOUCH ANY ELECTRIC SWITCH: DO NOT USE ANY PHONE IN YOUR VEHICLE.
- IMMEDIATELY CALL YOUR GAS SUPPLIER FROM A NEIGHBOR'S PHONE. FOLLOW THE GAS SUPPLIER'S INSTRUCTIONS.
- IF YOU CANNOT REACH YOUR GAS SUPPLIER, CALL THE FIRE DEPARTMENT.

#### **FREEZE WARNING**

DRAIN HEATER IF SUBJECT TO FREEZING TEMPERATURES.

**WARNING:** IMPROPER INSTALLATION, ADJUSTMENT, ALTERATION, SERVICE OR MAINTENANCE CAN CAUSE INJURY OR PROPERTY DAMAGE. REFER TO THIS MANUAL. FOR ASSISTANCE OR ADDITIONAL INFORMATION, CONSULT A QUALIFIED INSTALLER, SERVICE AGENCY OR THE GAS SUPPLIER.

#### **FOR YOUR SAFETY**

DO NOT STORE OR USE GASOLINE OR OTHER COMBUSTIBLE MATERIALS OR LIQUIDS NEAR OR ADJACENT TO THIS HEATER OR ANY OTHER APPLIANCE. THIS APPLIANCE SHALL NOT BE INSTALLED IN ANY LOCATION WHERE FLAMMABLE LIQUIDS OR VAPORS ARE LIKELY TO BE PRESENT.

AN ODORANT IS ADDED TO THE GAS USED BY THIS WATER HEATER.

**INSTALLER: AFFIX THESE INSTRUCTIONS TO OR ADJACENT TO WATER HEATER.**

**OWNER: RETAIN THESE INSTRUCTIONS AND WARRANTY FOR FUTURE REFERENCE.**

ALL TECHNICAL AND WARRANTY QUESTIONS SHOULD BE DIRECTED TO THE COMPANY LISTED ON THE WARRANTY, OR RATING PLATE WHICH CAME WITH YOUR WATER HEATER.



**Suburban**  
Manufacturing Company  
a division of AIRXCEL, Inc.

SUBURBAN MANUFACTURING COMPANY  
676 Broadway Street  
Dayton, Tennessee 37321  
423-775-2131  
[www.rvcomfort.com](http://www.rvcomfort.com)

## INSTALLATION REQUIREMENTS

**WARNING!** Installation of this appliance must be made in accordance with the written instructions provided in this manual. No agent, representative or employee of Suburban or other person has the authority to change, modify or waive any provision of the instructions contained in this manual.

**CAUTION:** If possible, do not install the water heater to where the vent can be covered or obstructed when any door on the trailer is opened. If this is not possible, then the travel of the door must be restricted in order to provide a 6" minimum clearance between the water heater vent and any door whenever the door is opened.

**CAUTION:** Due to the differences in vinyl siding, this appliance should not be installed on vinyl siding without first consulting with the manufacturer of the siding or cutting the siding away from the area around the appliance vent.

**CAUTION:** In any installation in which the vent of this appliance can be covered due to the construction of the RV or some special feature of the RV such as slide out, pop-up etc., always insure that the appliance cannot be operated by setting the thermostat to the positive "OFF" position and shutting off all electrical and gas supply to the appliance.

**CAUTION:** Do not install this appliance to where the vent terminates below a slide-out. This appliance is not to be installed under any overhang. It must be free and clear of any type overhang.

This installation must conform with the requirements of the authority having jurisdiction or in the absence of such requirements with the latest edition of the National Fuel Gas Code ANSI Z223.1/NFPA 54; and the latest edition of the American National Standard for Recreational Vehicles-NFPA 1192. In Canada the installation should conform with the following standards.

### A. For installation in Recreational Vehicle

1. Gas - CSA standard CSA Z240.4.2-08 Installation Requirements for Propane Appliances and Equipment in Recreations Vehicles.
2. Electrical - CSA standard Z240.6.2-08/C22.2 No. 148-08 Electrical Requirements for Recreational Vehicles.
3. Plumbing - CSA standard CSA Z240.3.2 Plumbing Requirements for Recreational Vehicles.

### B. For installation in Mobile Housing

1. Gas - CSA standard CSA Z240.4.1 Installation Requirements for Gas Burning Appliances and Equipment in Mobile Homes.
2. Electrical - CSA standard CSA C22.1 Canadian Electrical Code Part 1.
3. Plumbing - CSA standard CSA Z240.3.1 Plumbing Requirements for Mobile Homes.

The appliance shall be disconnected from the gas supply piping system during any pressure testing of the system.

The appliance and its gas connections shall be leak tested before placing the appliance in operation.

All air for combustion must be supplied from outside the structure. Air for combustion must not be supplied from occupied spaces.

## INSTALLATION INSTRUCTIONS

Minimum clearance from combustible construction on sides, top, floor and rear = 0 inches. Provide room for access to rear of heater for servicing.

Provide an opening flush with floor in outer wall of coach as shown. Wall of coach should be framed as shown in Figure 1. Maintain inside dimensions listed below. Do not install on carpet unless the carpet is covered by a metal or wood shield covering the entire area underneath the water heater. If you prefer, you may cut away the carpet from this area.

## INSTALLATION USING FLUSH MOUNT FRAME & DOOR

(See Figure 2 for Illustration)

**A.** Position heater into framed opening as illustrated. Slide unit into opening until the front of the control housing is flush with the exterior coach skin.

**B.** Secure the control housing to the coach wall (framed opening) at the top and sides of control housing compartment using screws or other suitable fasteners. Recess the screws or fasteners back far enough from the front edge of control

housing (approximately 1 1/2") in order to clear the flange on door frame. The door frame, when installed, must not overlap onto screw or other fastener head. If due to the wall thickness, it is not possible to secure the water heater without covering the fastener head with the door frame, it is important to not over tighten the fastener and distort the control housing. Over tightening of the fastener may cause water heater leaks between the control housing and the door frame.

**NOTE:** Caulk around screw or fastener heads to assure water tight seal.

**C.** Install chocks, one on each side of water heater, as illustrated in Figure 1A.

**D.** On mesa or yoder type sidewalls, flatten the wall area around the opening.

**E.** Caulk around framed opening (trailer skin) as illustrated.

**F.** Caulk around door frame using 2 beads of silicone caulking (or suitable caulking) - one on flange to seal to control housing and one around back side of frame to seal to coach skin. (See detail A in illustration.)

**G.** Insert door frame into control housing and secure with four (4) No. 8-15 x 3 1/2" screws provided.

**H.** To install door, place the two holes in the bottom of the door over the door pins on the frame. Close the door so that the latch protrudes through the slot in the door. Turn latch 90 degrees to fasten door.

**I.** The module board on models SW10D, SW10DE, SW12D, SW12DE, SW16D and SW16DE is not secured to the water heater. It is to be permanently mounted by the installer.

The module board must be mounted to where it is accessible for service yet out of way of children. It should be located in a place where it cannot be subjected to moisture, cleaning chemicals, flammable vapors and liquids, etc.

The board and all wiring to the board must be protected in order to prevent damages and accidental contact with these parts. The module board may be mounted with two (2) No. 6 x 5/8 screws or other suitable hardware.

## MAKING WATER CONNECTIONS

**A.** Water connections are made at the rear of the water heater. Refer to Figure 3 for all models except SW10DM, SW10DEM, SW12DEM and 16DEM. For SW10DM and SW10DEM, SW12DEM AND SW16DEM, refer to Figure 4 or 5. Connect the hot and cold water lines to the 1/2" female pipe fitting provided on rear of tank. These fittings are marked "HOT" and "COLD". **NOTE:** Inside each fitting is a plastic fill tube. Its purpose is to enhance water circulation. **DO NOT REMOVE PLASTIC FILL TUBE.**

**IMPORTANT:** Use a pipe thread compound suitable for potable water or pipe thread tape on all connections to assure they will not leak.

**B.** For ease of removal, it is suggested that a pipe union be installed in each water line.

**C.** Fill tank with water. Open both hot and cold water faucets to expel air from tank. When tank is filled and water flows from faucets, close both faucets and check all connections for leaks.

**CAUTION:** If you use air pressure to check for leaks, the pressure must not exceed 30 PSI in accordance with NFPA 1192.

**NOTE:** After leak testing, drain water from tank.

## MAKING GAS CONNECTIONS

Connect a 3/8" gas supply line to the 3/8 flare fitting at gas valve located in the control housing. When making the gas connection, hold the gas fitting on the valve with a wrench when tightening the flare nut. Failure to hold fitting secure could result in a gas leak due to fitting being damaged. **NOTE:** It will be necessary to remove the grommet from the control housing, make the gas connection at the valve, then reinstall grommet.

**WARNING!** It is imperative that grommet and gas line through grommet be caulked air tight. If not tightly sealed, moisture and potential harmful flue products could vent through opening and into living area of trailer. (See Figure 6.)

**B.** Turn on gas and check all fittings and connections for leaks, using a soap and water solution. Correct even the slightest leak immediately.

**WARNING!** Do not use an open flame to check for leaks

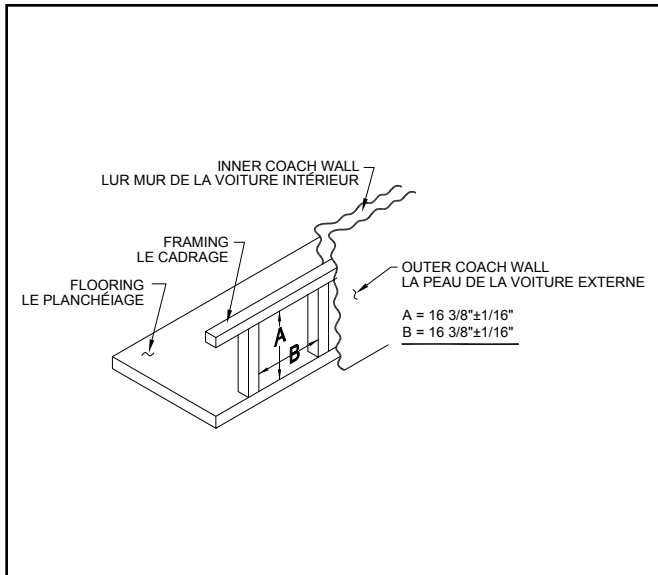


Figure 1

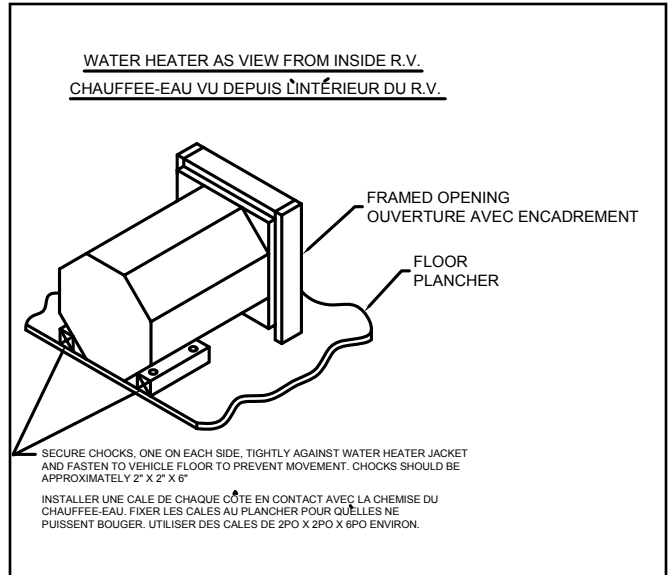


Figure 1A

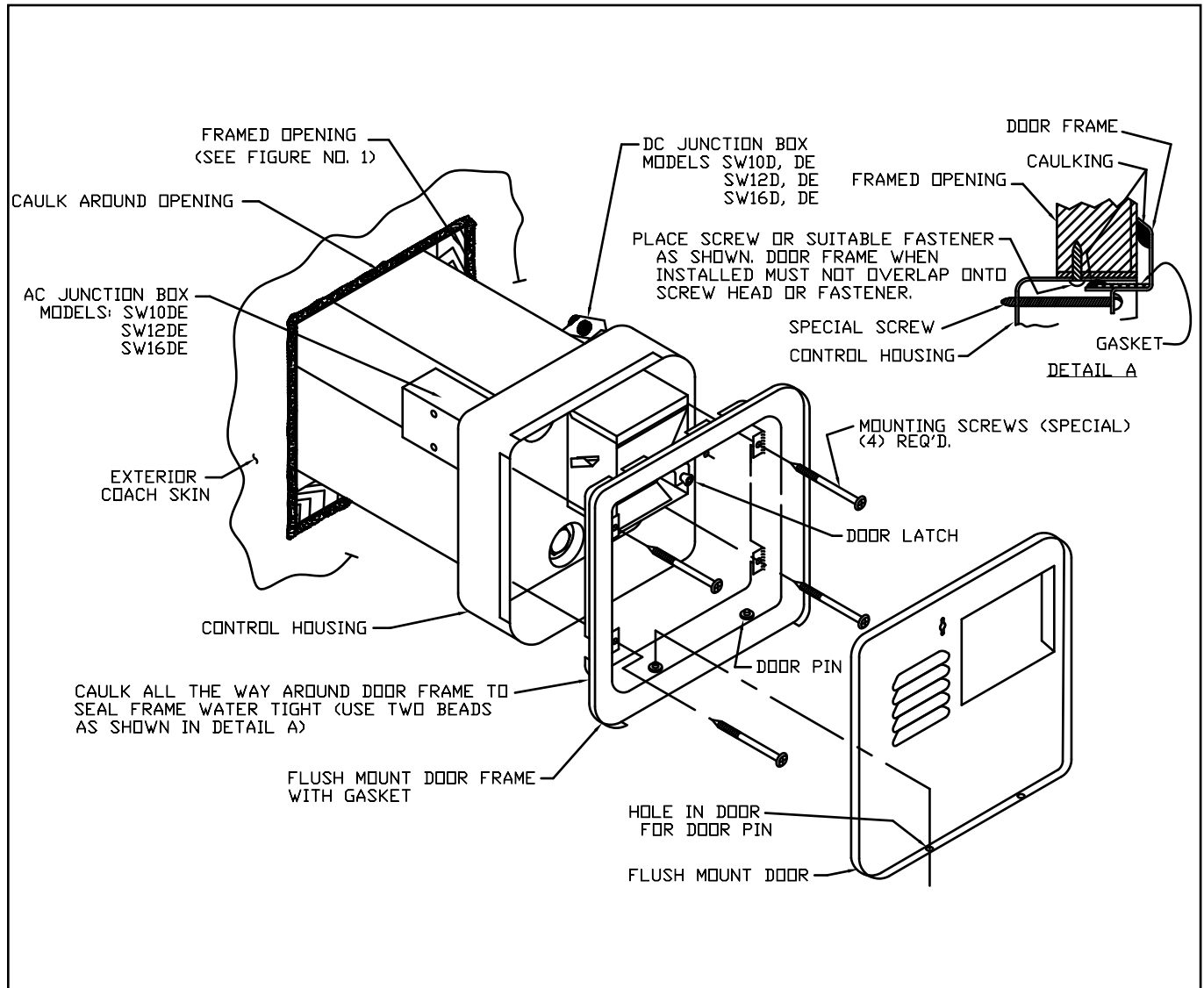


Figure 2

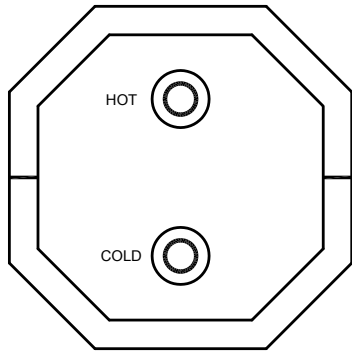


Figure 3

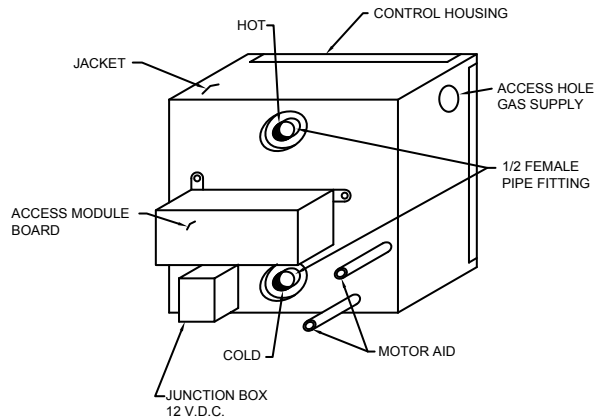


Figure 4

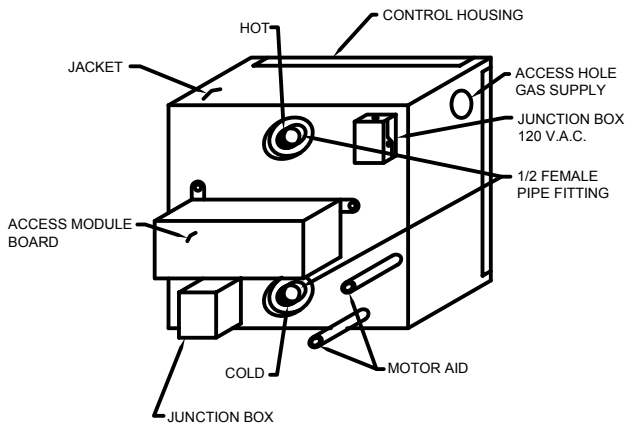


Figure 5

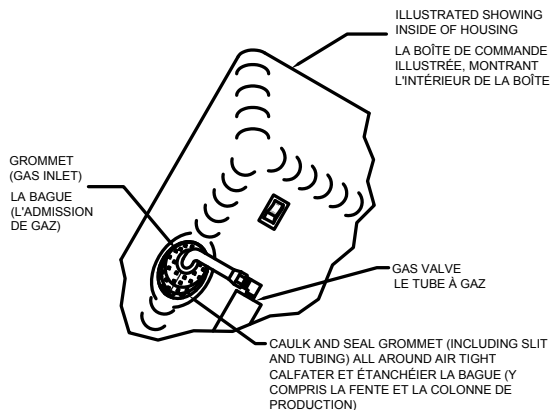


Figure 6

## MAKING ELECTRICAL CONNECTIONS 12 VOLTS D.C.

**A.** Applicable to following models: SW10D, SW10DE, SW10DM, SW10DEM, SW12D, SW12DE, SW12DEM, SW16D, SW16DE, and SW16DEM.

**B.** Refer to Figure 2 for location of D.C. junction box on models SW10D, SW10DE, SW12D, SW12DE, SW16D and SW16DE. Refer to Figure 4 and 5 for location of D.C. junction box on models SW10DM, SW10DEM, SW12DEM and SW16DEM.

**C.** The electrical connections must be made in accordance with local codes and regulations. In the absence of local codes and regulations, refer to the latest edition of the National Electrical Code NFPA No. 70.

In Canada, the electrical installation should conform with CSA standard Z240.6.2-08/C22.2 No. 148-08 Electrical Requirements for Recreational Vehicles and CSA C22.1 Canadian Electrical Code Part 1 when installing the unit in recreational vehicles and mobile homes respectively.

**D.** Make the 12 Volt D.C. electrical connections following the wiring diagram illustrated in Figure 7.

If the power supply is to be from a convertor, we recommend that the converter system be wired in parallel with the battery. This will serve two purposes:

1. Provide a constant voltage supply
2. Filter any A.C. spikes or volt surges

We recommend insulated terminals be used for all electrical connections.

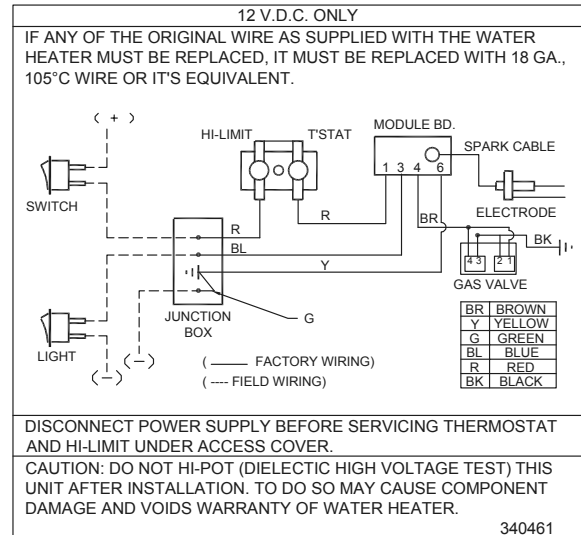


Figure 7

## MAKING ELECTRICAL CONNECTIONS 120 VOLTS A.C.

**A.** Applicable to following models SW10DE, SW10DEM, SW12DE, SW12DEM, SW16DE, SW16DEM.

**B.** Refer to Figure 2 for location of A.C. junction box on models SW10DE, SW12DE or SW16DE. Refer to Figure 5 for A.C. junction box on model SW10DM, SW10DEM, SW12DEM or SW16DEM.

**C.** The electrical connections must be made in accordance with local codes and regulations. In the absence of local codes and regulations, refer to the latest edition of the National Electrical Code NFPA No. 70.

In Canada, the electrical installation should conform with CSA standard Z240.6.2-08/C22.2 No. 148-08 Electrical requirements for Recreational Vehicles and CSA C22.1 Canadian Electrical Code Part 1 when installing the unit in recreational vehicles and mobile homes respectively.

**D.** Check rating plate and wiring diagram (Figure 8) before proceeding. Install a fused safety switch or circuit breaker of adequate capacity between heater and electrical power source. Attach the black and white wires from the fused switch or breaker to corresponding colored wires in heater junction box. A green wire from a well grounded source must be attached to the green nut in the junction box.

**CAUTION:** Before applying the 120 VAC power to the water heater junction box, be sure the switch for electric element is in the "OFF" position.

**WARNING!** Before the switch for the electric element is turned to the "ON" position, the water heater tank must be filled with water. See "Safety Warnings".

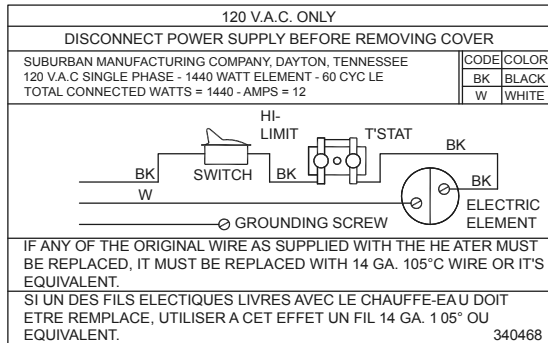


Figure 8

## INSTALLATION OF MOTOR AID HEAT EXCHANGER

- Place copper "Y"s in heater as shown in Figure 9.
- Secure hoses to "Y"s with hose clamps.
- Attach hose from motor-aid heat exchanger to "Y"s.
- Secure hoses to motor-aid and "Y"s with clamps.
- Check all connections for water leaks and proper water circulation through motor-aid heat exchanger, with engine running.

The system should be checked annually for deterioration of heater hose and hose connections. Replace as needed.

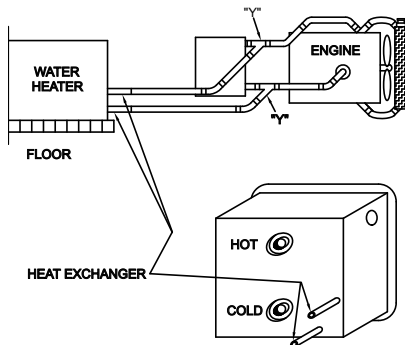


Figure 9

## MAINTENANCE

**WARNING!** If the user of this appliance fails to maintain it in the condition in which it was shipped from the factory or if the appliance is not used solely for its intended purpose or if appliance is not maintained in accordance with the instructions in this manual, then the risk of a fire and/or the production of carbon monoxide exists which can cause personal injury, property damage or loss of life.

**WARNING:** For your safety, all repairs should be performed by your dealer or a qualified service person.

- Main Burner:** Do not allow the burner to burn with a yellow flame, because sooting will occur. (See Safety Warnings).

If the burner flame is yellow and has an erratic pattern, shut unit down and contact a qualified service agency. Do not continue operating unit with improper burner flame. (See Figure 10 for correct and incorrect burner flame appearance.)

- Periodically inspect unit for soot. If soot is present anywhere on water heater, immediately shut unit down and contact your dealer or a qualified service person. Soot is a sign of incomplete combustion and must be corrected before operating water heater. Areas to check would include:

- Check for an obstruction in burner or the flue box.
- Check the screen in the door to see that no foreign material has accumulated

to prevent flow of combustion and ventilating air.

- Check to be sure there is no flame present at burner orifice or burner whenever main gas valve is closed. This can be checked by turning the OFF/ON switch to the "OFF" position.

- Frequent checks should be made of the grommet on the gas inlet to assure tight seal. (See "Making Gas Connections").

- Periodically check wiring and wire connection to be sure wiring is not damaged/frayed and that all terminals and connections are tight and in compliance with codes (See "Making Wire Connections").

## SAFETY WARNINGS

**WARNING!** It is imperative that the water heater tank be filled with water before operating the water heater. Operation of the water heater without water in the tank may result in damage to the tank and/or controls. This type of damage is not covered by the limited warranty.

**WARNING!** Hydrogen gas may result if you have not used this heater for two weeks or more. **HYDROGEN GAS IS EXTREMELY FLAMMABLE.** To reduce the risk of injury under these conditions, open the hot water faucet for several minutes at the kitchen sink before you use any electrical appliance connected to the hot water system. If hydrogen is present, you probably will hear an unusual sound such as air escaping through the pipe as the water begins to flow.

Hydrogen gas may be present even after water has been drained from the tank. Open faucet at sink and allow system to vent for several minutes (5-10 minutes).

Do not smoke or have any open flame near the open faucet. Do not attempt to light pilot or main burner. On DSI models, be sure the switch is "OFF".

Should overheating occur, or the gas supply fail to shut off, shut off the manual gas valve to the appliance before shutting off the electrical supply.

Do not use this appliance if any part has been submerged under water. Immediately call a qualified service technician to inspect the appliance and to replace any part of the control system and any gas control that has been submerged under water.

Do not alter the operation of your water heater nor change the design/construction of your water heater. Accessories are being marketed for RV products which we do not recommend. For your safety, only factory authorized parts are to be used on your water heater.

Periodically inspect the vent for obstructions or presence of soot. Soot is formed whenever combustion is incomplete. This is your visual warning that the water heater is operating in an unsafe manner. If soot is present, immediately shut the water heater down and contact your dealer or a qualified service person.

When considering add-on rooms, porch or patio, attention must be given to the venting of your water heater. For your safety, do not terminate the vent on your water heater inside add-on rooms, screen porch or onto patios. Doing so will result in products of combustion being vented into the rooms or occupied areas.

Never operate the heater if you smell gas. Do not assume that the smell of gas in your RV is normal. Any time you detect the odor of gas, it is to be considered life threatening and corrected immediately. Extinguish any open flames including cigarettes and evacuate all persons from the vehicle. Shut off gas supply at LP gas bottle. (See Safety notice on front cover of this manual.)

**NOTE:** Always open both the cold and hot water faucets when filling vehicle water tank to allow air pockets to be forced out of the water heater. When water flows from the heater faucets, close both faucets.

**WARNING!** Do not store or use combustible materials or liquids near or adjacent to this heater. The appliance shall not be installed in any location where flammable liquids or vapors are likely to be present.



Be sure the power is "OFF" to the water heater ignition system during any type of refueling and while vehicle is in motion or being towed.

The thermostat on your water heater is not adjustable. It is a temperature sensing limit designed to maintain a water temperature of 130°F (54°C). Water temperatures over 125°F (49°C) can cause severe burns instantly or death from scalds; therefore, be careful when using hot water. Children, disabled and elderly are at highest risk of being scalded. Always feel water before bathing or showering.

**WARNING! Do not place a valve between the relief valve and the tank. Do not plug the relief valve under any circumstances.**

## WATER WEEPING OR DRIPPING FROM PRESSURE RELIEF VALVE

You may experience water weeping or dripping from your water heater's Pressure and Temperature (P & T) Relief Valve when your water heater is operating. Water weeping or dripping from the P & T Valve does not always mean the P & T Valve is defective. As water is heated, it expands. The water system in a recreational vehicle is a closed system and does not allow for the expansion of heated water. When the pressure of the water system exceeds the relieving point of the P & T Valve, the valve will relieve the excess pressure.

Suburban recommends that a check valve not be installed directly at the inlet to the water heater tank. This will increase weeping of the pressure relief valve.

**WARNING! Do not remove or plug the relief valve.**

One way to reduce the frequency of this occurrence is to maintain an air pocket at the top of the water heater tank. This air pocket will form in the tank by design. However, it will be reduced over time by the everyday use of your water heater. To replenish this air pocket:

1. Turn off water heater.
2. Turn off cold water supply line.
3. Open a faucet in the RV.
4. Pull out on the handle of the Pressure Relief (P & T) Valve and allow water to flow from the valve until it stops.
5. Release handle on P & T Valve - it should snap closed.
6. Close faucet and turn on cold water supply; as the tank fills, the air pocket will develop.

Repeat this procedure as often as needed to reduce the frequency of the weeping of the P & T Valve. If the weeping persists after following this procedure, you may elect to install an expansion or accumulator tank in the cold water line between the tank and check valve to relieve the pressure caused by thermal expansion. Contact your local dealer for assistance.

## THERMOSTAT AND MANUAL RESET

MODELS SW10D, SW10DE, SW10DM AND SW10DEM  
SW12D, SW12DE and SW12DEM  
SW16D, SW16DE and SW16DEM

The model water heaters listed above are equipped with a high temperature limit as a cut-off device. Temperature above 180°F will cause manual reset button to trip shutting down main burner.

To activate burner, the water temperature must be below 110°F, push reset button to re-activate burner.

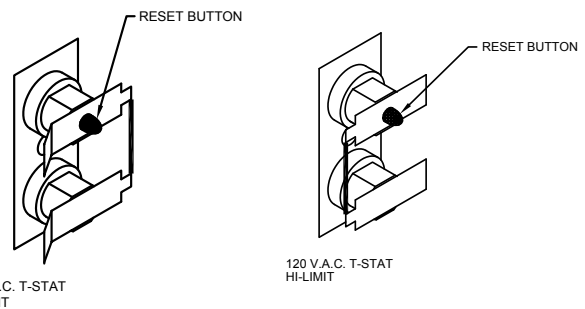


Figure 12

Figure 13

## THERMOSTAT AND MANUAL RESET

MODELS SW10DE and SW10DEM  
SW12DE and SW12DEM  
SW16DE and SW16DEM

The model water heaters listed above are equipped with a high temperature limit as a cut-off device. Temperature above 180°F will cause manual reset button to trip shutting down the electric element.

To activate element, the water temperature must be below 110°F, push reset button to re-activate the electric element.

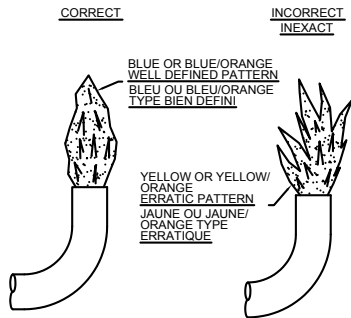


Figure 10

## ANODE PROTECTION

The tank in this water heater is protected by a magnesium or aluminum anode to prolong the life of the tank by absorbing the corrosive action of hot water. Under normal use, the anode rod will deteriorate and because of this, we recommend it be replaced yearly. **NOTE:** Water with high levels of iron and/or sulfate will increase the rate of deterioration; therefore, more frequent replacement may be required. If anode rod is mostly eaten away, replace it with a new one. (See Figure 11)

To prevent a water leak when replacing the anode rod, a pipe thread sealant approved for potable water (such as Teflon Tape) must be applied to the threads of the anode rod. Proper application of a thread sealant will not interfere with the anode's tank protection.

Operating the water heater without proper anode protection will decrease tank life and will void your warranty on the tank. **NOTE:** Tank is drained by removing anode rod (See "Drain and Storage" instructions).

To extend anode life, drain water from tank whenever RV is not being used. Avoid any extended time of non use with water in tank.

Also, refer to section on winterizing.

**WARNING! Do not replace the anode rod with any non-Suburban accessory part, such as an "add-on" electric heating element. Items such as these are not approved to be installed in Suburban products. They could create an unsafe condition and will also void all warranties.**

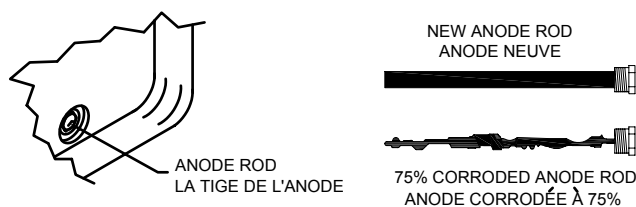


Figure 11

## PRESSURE RELIEF VALVE

The temperature and pressure relief valve is designed to open if the temperature of the water within the heater reaches 210°F, or if the water pressure in the heater reaches 150 pounds. Recreational vehicle water systems are closed systems and during the water heating cycle the pressure build-up in the water system will reach 150 pounds. When this pressure is reached, the pressure relief valve will open and water will drip from the valve. This dripping will continue until the pressure is reduced to below 150 pounds, and the valve closes. This condition is normal and does not indicate a defective relief valve.

## DRAINING AND STORAGE INSTRUCTIONS

If RV is to be stored during winter months, the water heater must be drained to prevent damage from freezing.

1. Turn off electrical power to water heater either at the switch from the electrical element or a breaker.
2. Shut off gas supply to water heater.
3. Turn off pressure pump on water system.
4. Open both hot and cold water faucets.
5. Remove anode rod from tank.
6. Follow RV manufacturer's instructions for draining entire water system.

**NOTE:** Be certain to refill water heater with water and remove all air from tank and lines before re-lighting or before turning on electrical power.

## ODOR FROM HOT WATER SYSTEM

Odor from the hot water system is not a service problem and many water supplies contain sufficient amounts of sulphur to produce an odor. The odor is similar to rotten eggs and is often referred to as "sulphur water". It is not harmful - only unpleasant to smell. Sulphur water can be caused by a chemical action or by bacteria. The solution to eliminate is chlorination of the water system. Add about six (6) ounces of chlorinated common household liquid bleach to each 10 gallons in the water tank. Then run the chlorinated water throughout the system, opening each faucet one at a time until you smell the chlorine. Let the RV sit for a few days and the chlorine should take care of the problem. Then you will need to take care of the chlorine. Remove the chlorine by flushing the system with fresh water. This may take several attempts. You may consider adding a filtering system that removes chlorine and prevents sulphur water. If the sulphur or rotten egg smell continues, flush the system once again as described above and replace anode rod as necessary.

## REMOVING WATER HEATER

1. Shut off gas supply and disconnect gas supply line from water heater.
2. On all Electric Models, disconnect 120 V.A.C. supply at junction box mounted on heater.
3. On all DSI Models, disconnect 12 V.D.C. power supply at junction box on heater.
4. On Models SW10D, SW10DE SW12D, SW12DE, SW16D and SW16DE disconnect all wires at module board.
5. Shut off water supply. Drain water from tank following instructions under "Draining and Storage".
6. Disconnect hot and cold water lines from water heater.
7. Remove screws or nails securing control housing to framed opening.
8. Slide heater out. To reinstall, follow instructions in manual under "Installation Instructions".

## WINTERIZING

If your water heater plumbing system is equipped with a bypass kit, use it to close off the water heater, drain the water heater completely and leave the water heater closed off (out of the system) in the bypass position *particularly* if you are introducing antifreeze into the plumbing system. Antifreeze can be very corrosive to the anode rod creating premature failure and heavy sediment in the tank. If the plumbing system is not equipped with a bypass kit, and you intend to winterize by adding antifreeze to the system, remove the anode rod (storing it for the winter) and replace it with a 3/4" drain plug.

## FOR YOUR SAFETY READ BEFORE LIGHTING

**WARNING!** If the user of this appliance fails to maintain it in the condition in which it was shipped from the factory or if the appliance is not used solely for its intended purpose or if appliance is not maintained in accordance with the instruction in this manual, then the risk of a fire and/or the production of carbon monoxide exists which can cause personal injury, property damage or loss of life.

## OPERATING AND LIGHTING INSTRUCTIONS

**WARNING!** If you do not follow these instructions exactly, a fire or explosion may result causing property damage, personal injury or loss of life.

**WARNING:** Before operating water heater, be sure tank is filled with water. See "Safety Warnings".

- A. This appliance does not have a pilot. It is equipped with an ignition device which automatically lights the burner. Do not try to light the burner by hand.
- B. BEFORE LIGHTING smell all around the appliance area for gas. Be sure to smell next to the floor because some gas is heavier than air and will settle on the floor.

### WHAT TO DO IF YOU SMELL GAS

- Do not try to light any appliance.
  - Do not touch any electric switch.
  - Do not use any phone in your building.
  - Immediately call your gas supplier from a neighbor's phone. Follow the gas supplier's instructions.
  - If you cannot reach your gas supplier, call the fire department.
- C. This is an automatic gas valve, no adjustments are necessary. Do not attempt to repair the gas valve. This may result in a fire or explosion.

D. Do not use this appliance if any part has been under water. Immediately call a qualified service technician to inspect the appliance and to replace any part of the control system and any gas control which has been under water.

E. Before operating water heater, check the location of the vent to make sure it will not be blocked by the opening of any door on the trailer. If it can be blocked, do not operate the water heater with the door open.

## OPERATING INSTRUCTIONS

1. STOP! Read the safety information provided.
2. Turn off all electric power to the appliance.
3. Turn "OFF" gas supply.
4. Wait five minutes for gas to clear the area. If you smell gas then STOP! Follow instructions in item B of the safety information. If you don't smell gas, go to next step.
5. Turn "ON" gas supply.
6. Turn on electrical power to the appliance.
7. Turn switch to "ON" position. If the burner does not light, the system will automatically attempt two more tries for ignition before lock-out. NOTE: Each ignition cycle will have a 15 second purge before spark cycle if system is a three try system.
8. If lockout occurs before main burner lights, turn switch to "OFF", wait five seconds and turn switch to "ON" position. This will restart the ignition cycle. The first start-up of the heater may require several ignition cycles before all air is purged from the gas lines.

If the burner will not come on, the following items should be checked before calling a service person.

1. Switch turned off.
2. Gas supply to heater is empty or turned off.
3. Reset button on ECO is tripped.

## OPERATING INSTRUCTIONS FOR UNITS WITH ELECTRIC ELEMENT

Electric water heaters are designed to operate with a minimum amount of service problems; however, proper operation and care is essential.

By far the most common trouble with electric water heaters results from energizing the water heater before it is filled with water. Even brief operation of the electric element without water in the tank will burn-out the electric heating element.

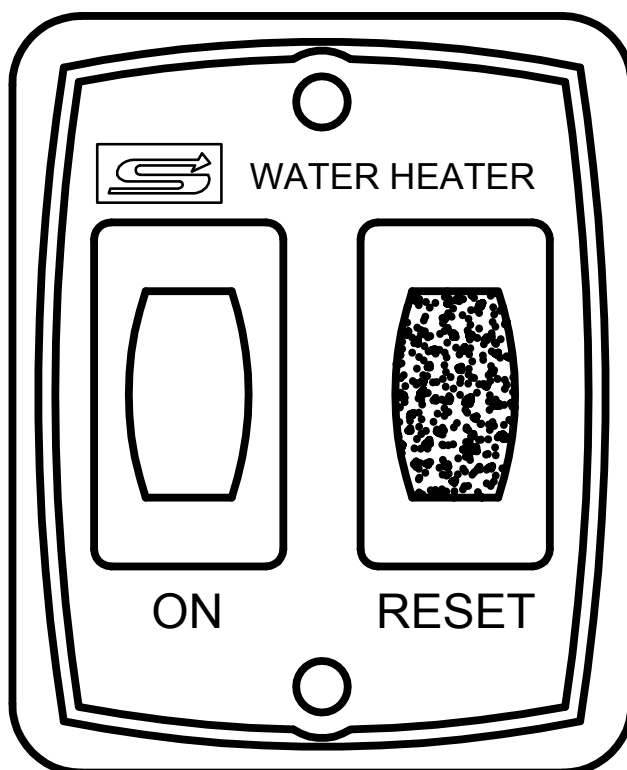
To energize the electric heating element, turn the switch to "on". The switch is located behind the water heater door in the lower left corner of the control housing. The water temperature will be regulated by the thermostat.

**TO TURN OFF WATER HEATER**

1. Turn switch to "OFF" position.
2. Turn off electrical power to the appliance.

3. Turn off gas supply.

4. If vehicle is to be stored or heater is going to be turned off while subject to freezing temperature, drain water heater. (See "Draining and Storage Instructions.")





# PARTS ILLUSTRATION AND REPLACEMENT PARTS LIST

Only factory authorized parts are to be used. Do not attempt to repair defective parts.

When ordering repair parts from your dealer or a distributor, always give the following information:

1. Part Number (Not Item No.)
2. Part Description
3. Model No. and Serial No. of your Heater
4. Number of Parts Required

## PARTS LIST FOR MODELS SW10D, SW10DE, SW12D, SW12DE, SW16D AND SW16DE (Figure 14)

Item No.	Description	Part Number		
		SW10D	SW10DE	SW12DE
		SW12D	SW16DE	SW16DE
1	Foam Jacket Assembly Complete (SW10D, SW10DE) .....	520869	520869	520869
	Foam Jacket Assembly Complete (SW12D, SW12DE) .....	520960	520960	520960
	Foam Jacket Assembly Complete (SW16D, SW16DE) .....	520961	520961	520961
2	Switch, Lamp and Plate Assembly .....	232589	232589	232589
3	Module Board .....	520814	520814	520814
5	Cover Module Board .....	090487	090487	090487
6	Bushing, Snap 1/2" .....	070270	070270	070270
7	Bushing, Strain Relief 5/8" .....	230216	230216	230216
8	Nut 10-24 Keps (Green) .....	121576	121576	121576
9	Bushing, Snap 7/8" .....	-----	230218	230218
11	Cover, Junction Box .....	-----	090576	090576
12	D.C. Junction Box Assembly .....	090517	090517	090517
15	Flue Collector Back Assembly Complete .....	101777	101777	101777
17	Screw 10 x 1/4 (3 Required) .....	121577	121577	121577
18	Valve, Pressure Relief .....	161157	161157	161157
20	Gasket, Thermostat Cover .....	070987	070987	070987
21	Cover, Thermostat/Hi-Limit .....	090562	090562	090562
23	Bracket, Electrode Mounting .....	063187	063187	063187
24	Grommet .....	070874	070874	070874
25	Electrode .....	232258	232258	232258
27	Burner Assembly with orifice .....	010843	010843	010843
29	1/4 Loxit Nut (Manifold to Valve) .....	171463	171463	171463
31	Cover, Element .....	-----	090445	090445
32	Gasket Element Cover .....	-----	070988	070988
33	Bushing, Snap 1/2" .....	-----	070270	070270
34	Anode .....	232767	232767	232767
35	Grommet, Gas Inlet .....	070989	070989	070989
36	A.C. Junction Box Assembly .....	-----	090575	090575
37	Switch Assembly 120 V.A.C. T-Stat/Hi-Limit .....	-----	232306	232306
38	Switch Assembly 12 V.D.C. T-Stat/Hi-Limit .....	232282	232282	232282
40	Grommet .....	071246	071246	071246
42	Switch, Electric Element .....	-----	232362	232362
44	Gas Fitting .....	170374	170374	170374
45	Electric Element with Gasket .....	-----	520789	520789
46	Valve, Gas (LP) .....	161109	161109	161109
47	Manifold Outlet .....	171420	171420	171420
48	Valve Mounting Bracket .....	063243	063243	063243
49	Screw 8-32 x 3/8 Hex HD (2 Required) .....	121958	121958	121958
51	Burner Bracket .....	063444	063444	063444
52	Screw 8mm - 4.0 x 1/2 Hex Washer Head (2 Required) .....	121943	121943	121943
53	1/4 Loxit Nut (Manifold to Burner) .....	171463	171463	171463
54	Electrode Wire (Not Shown) SW10D, SW10DE, SW12D, and SW12DE .....	232456	232456	232456
	Electrode Wire (Not Shown) SW16D and SW16DE .....	232459	232459	232459
55	Screw 10 x 1/4 (No Substitute) (2 Required) .....	121577	121577	121577

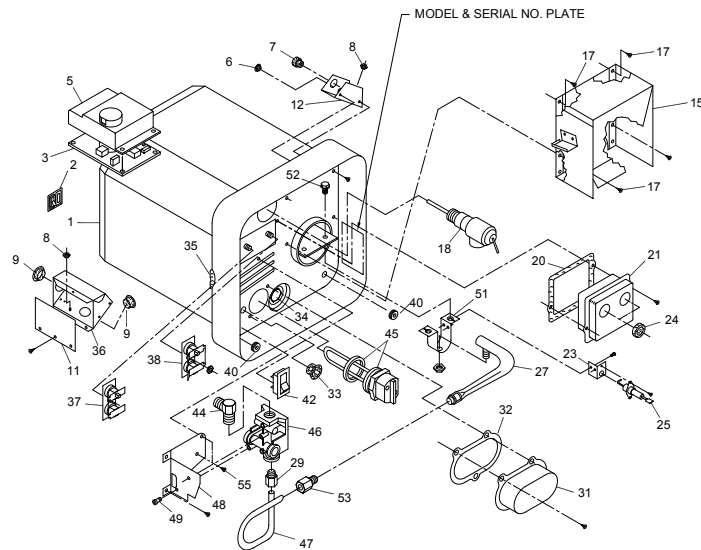
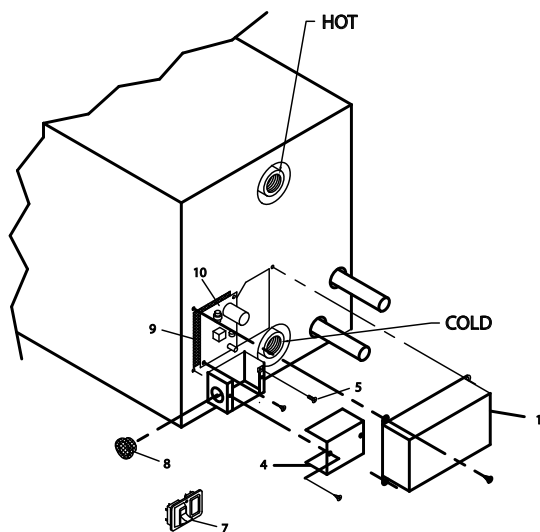


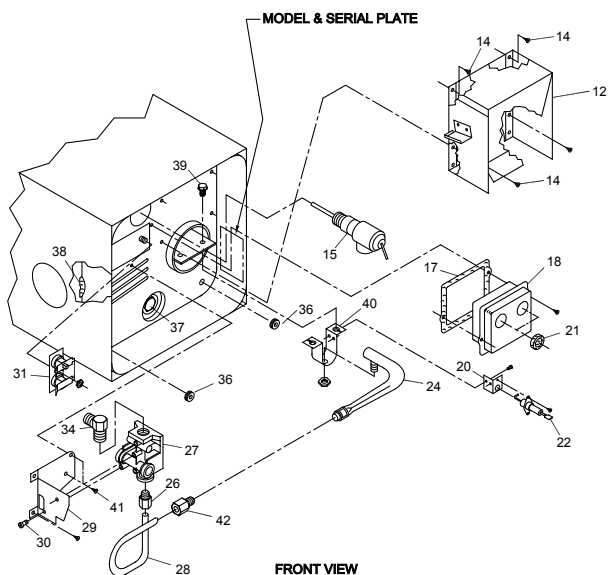
Figure 14

## PARTS LIST FOR MODEL SW10DM (Figures 15 and 16)

Item No.	Description	Part Number SW10DM	Item No.	Description	Part Number SW10DM
1	Cover, Module Board	090340	22	Electrode	232258
4	Cover Junction Box	090344	24	Burner Assembly with orifice	010843
5	Screw 10-32 x 3/8 (Green)	121702	26	1/4 Loxit Nut (Manifold to Valve)	171463
7	Switch, Lamp and Plate Assembly	232589	27	Valve, Gas (LP)	161109
8	Bushing, Snap 7/8"	230218	28	Manifold Outlet	171420
9	Insulator, Module Board	070807	29	Valve Mounting Bracket	063243
10	Module Board	520814	30	Screw 8-32 x 3/8 Hex HD (2 Required)	121958
12	Flue Collector Back Assembly Complete	101777	31	Switch Assembly 12 V.D.C. T-Stat/Hi-Limit	232282
14	Screw 10 x 1/4 (3 Required)	121577	34	Gas Fitting	170374
15	Valve, Pressure Relief	161157	36	Grommet	071246
17	Gasket, Thermostat Cover	070987	37	Anode	232767
18	Cover, Thermostat/Hi-Limit	090562	38	Grommet, Gas Inlet	070989
20	Bracket, Electrode Mounting	063187	39	Screw 8mm - 4.0 x 1/2 Hex Washer Head (2 Required)	121943
21	Grommet	070874	40	Burner Bracket	063444
			41	Screw #10 x 1/4 (2 Required)	121577
			42	1/4 Loxit Nut (Manifold to Burner)	171463
			43	Electrode Wire (Not Shown)	232454



**REAR VIEW**  
Figure 15



**FRONT VIEW**  
Figure 16

## PARTS LIST FOR MODEL SW10DEM, SW12DEM AND SW16DEM (Figures 17 and 18)

Item No.	Description	Part Number
		SW10DEM
		SW12DEM
		SW16DEM
1	Cover Module Board .....	090340
4	Cover, Junction Box (12 V.D.C.) .....	090344
5	Screw 10-32 x 3/8 (Green) .....	121702
7	Switch, Lamp and Plate Assembly .....	232589
8	Bushing, Snap 7/8" .....	230218
9	Insulator, Module Board .....	070807
10	Module Board .....	520814
11	Cover, Junction Box (120 V.A.C.) .....	090464
12	Nut 10-24 Keps (Green) .....	121576
13	Bushing .....	070486
15	Flue Collector Back Assembly Complete .....	101777
17	Screw 10 x 1/4 (3 Required) .....	121577
18	Valve, Pressure Relief .....	161157
20	Gasket, Thermostat Cover .....	070987
21	Cover, Thermostat/Hi Limit .....	090562
23	Bracket, Electrode Mounting .....	063187
24	Grommet (2 Required) .....	070874
26	Electrode .....	232258

Item No.	Description	Part Number
		SW10DEM
		SW12DEM
		SW16DEM
27	Burner Assembly with orifice .....	010843
29	1/4 Loxit Nut (Manifold to Valve) .....	171463
31	Cover, Element .....	090445
32	Gasket, Element Cover .....	070988
33	Switch, Electric Element .....	232362
34	Anode .....	232767
35	Grommet, Gas Inlet .....	070989
36	Switch Assembly, 120 V.A.C. T-Stat/Hi-Limit .....	232306
37	Switch Assembly, 12 V.D.C. T-Stat/Hi-Limit .....	232282
39	Grommet .....	071246
41	Screw 10 x 1/4 (2 Required) .....	121577
42	Gas Fitting .....	170374
43	Electric Element with Gasket (SW10DEM) .....	520789
	Electric Element with Gasket (SW12DEM, SW16DEM) .....	520900
44	Valve, Gas (LP) .....	161109
45	Manifold, Outlet .....	171420
46	Valve Mounting Bracket .....	063243
47	Screw 8-32 x 3/8 Hex HD (2 Required) .....	121958
48	Bushing, Snap 1/2" .....	070270
50	Burner Bracket .....	063444
51	Screw 8mm - 4.0 x 1/2 Hex Washer Head (2 Required) .....	121943
52	1/4 Loxit Nut (Manifold to Burner) .....	171463
53	Electrode Wire (Not Shown) (SW10DEM) .....	232454
	Electrode Wire (Not Shown) (SW12DEM, SW16DEM) .....	232791

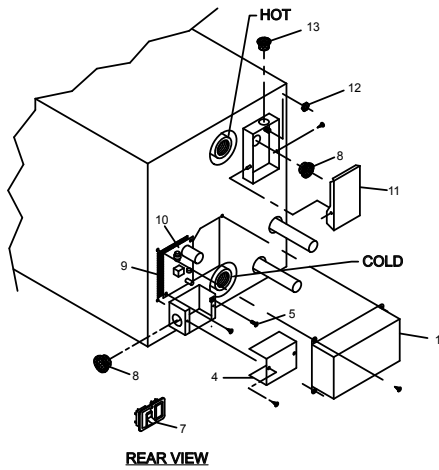


Figure 17

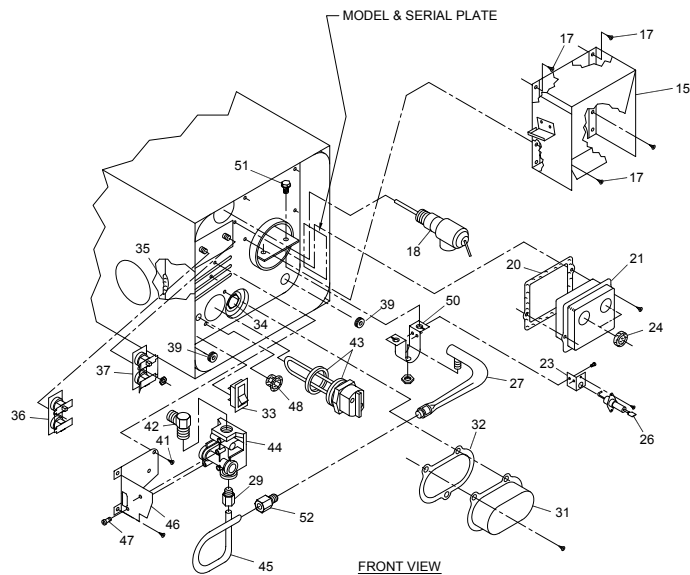


Figure 18

## TWO YEAR LIMITED WARRANTY SUBURBAN RECREATIONAL VEHICLE WATER HEATER

### TWO YEAR LIMITED WARRANTY

This Suburban product is warranted to the original purchaser to be free from defects in material and workmanship under normal use and maintenance for a period of two years from date of purchase whether or not actual use begins on that date. It is the responsibility of the consumer/owner to establish the warranty period. Suburban does not use warranty registration cards for its standard warranty. You are required to furnish proof of purchase date through a Bill of Sale or other payment records.

Suburban will replace any parts that are found defective within the first two years and will pay a warranty service allowance directly to the recommended Suburban Service Center at rates mutually agreed upon between Suburban and its recommended service centers. Replacement parts will be shipped FOB the shipping point within the Continental United States, Alaska and Canada to the recommended service center performing such repairs. All freight, shipping and delivery costs shall be the responsibility of the owner. The exchanged part or unit will be warranted for only the unexpired portion of the original warranty. Before having warranty repairs made, confirm that the service agency is a recommended service center for Suburban. DO NOT PAY THE SERVICE AGENCY FOR WARRANTY REPAIRS; SUCH PAYMENTS WILL NOT BE REIMBURSED.

Suburban reserves the right to examine the alleged defect in the water heater or component parts, and it is the owner's obligation to return the water heater and/or component parts to Suburban or its representative. When returning a water heater, it must include all component parts and the serial number plate. Returned component parts must be individually tagged and identified with the water heater's model number, serial number and date of installation.

For warranty service, the owner/user should contact the nearest recommended Suburban Service Center, advising them of the model and serial numbers (located on the water heater) and the nature of the defect. Transportation of the RV to and from the Service Center and/or travel expenses of the Service Center to your location is the responsibility of the owner/user. A current listing of recommended service center may be obtained from Suburban's website: [www.rvcomfot.com](http://www.rvcomfot.com). If you cannot locate a recommended service center locally, the service agency chosen to perform warranty repairs must contact our Service Department at 423-775-2131 for authorization before making repairs. Unauthorized repairs made will not be paid by Suburban.

### THREE YEAR LIMITED WARRANTY ON TANK

The inner tank is further warranted to be free from defects in material and workmanship during the third year after the date of original purchase. A replacement water heater will be provided under the same conditions as stated in the two year warranty EXCEPT no labor reimbursement will be provided.

### LIMITATION OF WARRANTIES

ALL IMPLIED WARRANTIES (INCLUDING IMPLIED WARRANTIES OF MERCHANTABILITY) ARE HEREBY LIMITED IN DURATION TO THE PERIOD FOR WHICH EACH LIMITED WARRANTY IS GIVEN. SOME STATES DO NOT ALLOW LIMITATIONS ON HOW LONG AN IMPLIED WARRANTY LASTS SO THE ABOVE LIMITATIONS MAY NOT APPLY TO YOU. THE EXPRESSED WARRANTIES MADE IN THIS WARRANTY ARE EXCLUSIVE AND MAY NOT BE ALTERED, ENLARGED, OR CHANGED BY ANY DISTRIBUTOR, DEALER OR OTHER PERSON WHOMSOEVER.

### SUBURBAN WILL NOT BE RESPONSIBLE FOR:

1. Normal maintenance as outlined in the installation, operating and service instructions owner's manual including cleaning of component parts and cleaning or replacement of the burner orifice. Any water damage arising, directly or indirectly, from any defect in the water heater or component parts or from its use.
  2. Initial checkouts and subsequent checkouts which indicate the water heater is operating properly, or diagnosis without repair.
  3. Damage or repairs required as a consequence of faulty or incorrect installation or application not in conformance with Suburban instructions.
  4. Failure to start and/or operate due to loose or disconnected wires; water or dirt in controls, fuel lines and gas tanks; improper gas pressure; low voltage.
  5. Cleaning or adjustment of components; electrode, burner tube, pilot and thermocouple.
  6. Costs incurred in gaining access to the water heater.
  7. Parts or accessories not supplied by Suburban.
  8. Freight charges incurred from parts replacements.
  9. Damage or repairs needed as a consequence of any misapplication, abuse, unreasonable use, unauthorized alteration, improper service, improper operation or failure to provide reasonable and necessary maintenance.
  10. Suburban products whose serial number has been altered, defaced or removed.
  11. Suburban products installed or warranty claims originating outside the Continental U.S.A., Alaska, Hawaii and Canada.
  12. Damage as a result of floods, winds, lightning, accidents, corrosive atmosphere or other conditions beyond the control of Suburban.
  13. ANY SPECIAL, INDIRECT OR CONSEQUENTIAL PROPERTY, ECONOMIC OR COMMERCIAL DAMAGE OF ANY NATURE WHATSOEVER. Some states do not allow the exclusion of incidental or consequential damages, so the above limitation may not apply to you.
- NO REPRESENTATIVE, DEALER, RECOMMENDED SERVICE CENTERS OR OTHER PERSON IS AUTHORIZED TO ASSUME FOR SUBURBAN MANUFACTURING COMPANY ANY ADDITIONAL, DIFFERENT OR OTHER LIABILITY IN CONNECTION WITH THE SALE OF THIS SUBURBAN PRODUCT. This warranty gives you specific legal rights, and you may also have other rights which vary from state to state.

### IF YOU HAVE A PRODUCT PROBLEM

#### FIRST:

If your RV has its original water heater and is still under the RV manufacturer's warranty, follow the steps suggested by your dealer or manufacturer of the RV.

#### SECOND:

Contact a conveniently located recommended Suburban Service Center. Describe to them the nature of your problem, make an appointment, if necessary, and provide for delivery of your RV to the selected service center.

#### THIRD:

For the location of the nearest Service Center, refer to the listing provided or contact:

Suburban Manufacturing Company  
Customer Service Department  
676 Broadway Street  
Dayton, Tennessee 37321  
(423) 775-2131, Ext. 7101  
[www.rvcomfot.com](http://www.rvcomfot.com)

For future reference, you should record the following information
MODEL NUMBER _____
SERIAL NUMBER _____
STOCK NUMBER _____
DATE OF PURCHASE _____

# GARANTIE LIMITÉE DE DEUX ANNÉES SUBURBAN - CHAUFFE-EAU POUR VÉHICULE RÉCRÉATIF

## GARANTIE LIMITÉE DE DEUX ANS

Ce produit Suburban est garanti au bénéfice du premier acquéreur comme étant exempt de vice de matériel ou de fabrication, lorsqu'il est soumis aux conditions normales d'utilisation et d'entretien, pendant une période de deux ans à compter de la date d'achat, que l'appareil soit ou non mis en service à cette date. C'est au consommateur/propriétaire qu'incombe la responsabilité de faire la preuve de la période de garantie. Suburban n'utilise pas de carte d'enregistrement de la garantie pour sa garantie standard. Le propriétaire doit soumettre une preuve de la date d'achat, comme une facture ou un autre document attestant du paiement.

Au cours des deux premières années, Suburban remplacera toute pièce s'avérant être défectueuse, et versera une allocation de main-d'œuvre sous garantie directement au centre de service Suburban recommandé, selon le tarif défini par accord mutuel entre Suburban et ses centres de service recommandés. Les pièces de rechange seront expédiées F.-à-B. point d'expédition au centre de service Suburban recommandé effectuant les réparations dans les états continentaux des États-Unis, en Alaska et au Canada. Le propriétaire devra assumer tous les frais de fret, expédition et livraison. Une pièce ou un composant remplacé ne bénéficie de la garantie que pendant la fraction non éolue de la période de garantie d'origine. Avant de faire effectuer des réparations sous garantie, vérifiez que l'établissement de réparation est un centre de service recommandé par Suburban. **NE PAS PAYER DES FRAIS DE MAIN-D'ŒUVRE AUX ÉTABLISSEMENTS DE RÉPARATION POUR DES RÉPARATIONS SOUS GARANTIE; CES FRAIS NE VOUS SERONT PAS REMBOURSÉS.**

Suburban se réserve le droit d'inspecter le chauffe-eau ou le composant incriminé pour en vérifier les déficiences. C'est au propriétaire qu'incombe l'obligation de retourner le chauffe-eau et les composants et identifiés avec le numéro de modèle et le numéro de série du chauffe-eau, et la date d'installation. Des composants retournés indépendamment doivent être étiquetés et identifiés avec le numéro de modèle et le numéro de série du chauffe-eau, et la date d'installation.

Pour obtenir les services nécessaires sous garantie, le propriétaire devrait contacter le plus proche centre de service Suburban recommandé, en mentionnant le numéro de modèle et le numéro de série (indiqués sur l'appareil), et la nature de l'anomalie. Le propriétaire/utilisateur doit assumer les frais de transport du véhicule récréatif entre son domicile et le centre de service, ou les frais de déplacement du personnel du centre de service. On peut obtenir une liste récente des centres de service recommandés par Suburban à l'adresse: [www.rvcomfort.com](http://www.rvcomfort.com). Advvenant qu'il n'y ait pas de centre de service agréé local, le personnel du centre de service choisi pour l'exécution de travaux sous garantie doit contacter notre département de service au numéro 423-775-2131 avant d'effectuer les réparations pour obtenir une autorisation. Suburban ne paiera pas les réparations effectuées sans autorisation.

## GARANTIE LIMITÉE SUR LE RÉSERVOIR - TROIS ANS

Le réservoir interne est également garanti comme étant exempt de vice de matériel ou de fabrication pendant une période de trois ans à compter de la date de l'acquisition initiale. Un chauffe-eau de remplacement sera fourni dans les mêmes conditions déjà indiquées pour la garantie de deux années, à l'EXCEPTION que Suburban ne remboursera aucun frais de main-d'œuvre.

## LIMITATION DES GARANTIES

(CECI INCLUANT LES GARANTIES IMPLICITES DE QUALITÉ MARCHANDE) EST EXPRESSÉMENT LIMITÉE À LA DURÉE DE CHAQUE PÉRIODE DE GARANTIE LIMITÉE ACCORDÉE. CERTAINES PROVINCES N'ADMETTENT PAS LA LIMITATION DE LA DURÉE DE VALIDITÉ DES GARANTIES IMPLICITES; PAR CONSÉQUENT, LES LIMITATIONS CI-DESSUS PEUVENT NE PAS VOUS ÊTRE APPLICABLES. LES GARANTIES EXPRESSES CONFÉRÉES PAR LE TEXTE QUI PRÉCÈDE SONT LES SEULES GARANTIES ACCORDÉES, ET ELLES NE PEUVENT ÊTRE MODIFIÉES, ÉTENDUES OU PROLONGÉES PAR UN DISTRIBUTEUR, CONCESSIONNAIRE OU AUTRE PERSONNE.

## SUBURBAN N'ACCEPTERA AUCUNE RESPONSABILITÉ AU TITRE DE :

1. Entretien normal, tel qu'il est défini dans les instructions d'installation, utilisation et entretien du manuel de l'utilisateur, ceci incluant le nettoyage des composants et le nettoyage ou remplacement du gicleur du brûleur. Les dégâts provoqués par l'eau, décollant directement ou indirectement d'un défaut du chauffe-eau ou d'un composant, ou de son utilisation.

2. Inspection initiale et inspections ultérieures indiquant que l'appareil fonctionne correctement, ou diagnostic sans réparation.

3. Dommages ou réparations imputables à une installation défective ou à une application non conforme aux instructions de Suburban.

4. Impossibilité de mise en marche et/ou de fonctionnement imputable à des déficiences des fils ou raccords, présence d'eau ou souillures dans les organes de commande, canalisations de combustible et réservoirs de gaz; pression de gaz incorrecte; tension électrique insuffisante.

5. Nettoyage ou réglage pour composants, électrode, tube de brûleur, brûleur de veille et thermocouple.

6. Frais rendus nécessaires pour l'accès à l'appareil.

7. Pièces ou accessoires non fournis par Suburban.

8. Frais de transport afférents au remplacement de pièces.

9. Dommages ou réparations imputables à toute utilisation impropre, irraisonnée ou abusive, modification non autorisée, travaux d'entretien incorrects, utilisation incorrecte ou carence d'entretien.

10. Produits Suburban dont le numéro de série a été modifié, éliminé ou rendu illisible.

11. Produits Suburban installés ou utilisés hors des zones géographiques suivantes: états continentaux des É.-U., Alaska, Hawaii et Canada.

12. Dommages imputables à inondation, vent, foudre, accident, atmosphère corrosive et autres situations que Suburban ne peut contrôler.

13. DOMMAGES SECONDAIRES OU INDIRECTS MATÉRIELS, ÉCONOMIQUES OU COMMERCIAUX, QUELLE QU'EN SOIT LA NATURE. Certaines provinces n'admettent pas l'exclusion des dommages secondaires ou indirects; par conséquent, la limitation ci-dessus peut ne pas vous être applicable. AUCUN REPRÉSENTANT, CONCESSIONNAIRE, DES CENTRES DE SERVICE RECOMMANDÉ OU AUTRE PERSONNE N'EST AUTORISÉ À ASSUMER AU NOM DE SUBURBAN MANUFACTURING COMPANY DES OBLIGATIONS ADDITIONNELLES OU DIFFÉRENTES EN RAPPORT AVEC LA VENTE DE CE PRODUIT SUBURBAN. Cette garantie vous confère des droits juridiques spécifiques; vous pouvez également jouir d'autres droits, variables d'une province à une autre.

## SI UN PROBLÈME SE MANIFESTE

### TOUT D'ABORD :

Si le véhicule récréatif est encore équipé de son chauffe-eau d'origine et est encore couvert par la garantie de son constructeur, procéder conformément aux instructions de concessionnaire ou constructeur de votre véhicule récréatif.

### DEUXIÈME :

Contacter un centre de service Suburban recommandé peu éloigné. Décrire la nature du problème au technicien, prendre rendez-vous si c'est nécessaire, et organiser la livraison de votre véhicule récréatif au centre de service choisi.

### TROISIÈME :

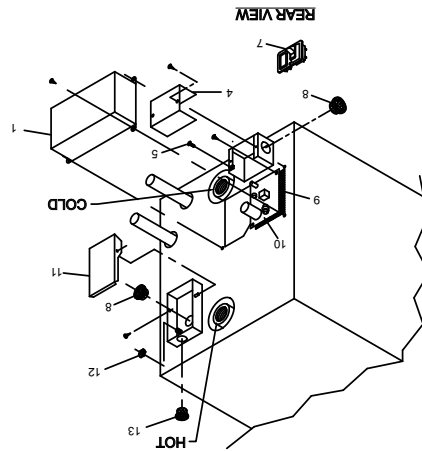
Pour localiser le centre de service de réparation le plus proche, référez-vous à la liste fournie ou contactez:

Suburban Manufacturing Company  
Customer Service Department  
676 Broadway Street  
Dayton, Tennessee 37321  
(423) 775-2131, Ext. 7101  
[www.rvcomfort.com](http://www.rvcomfort.com)

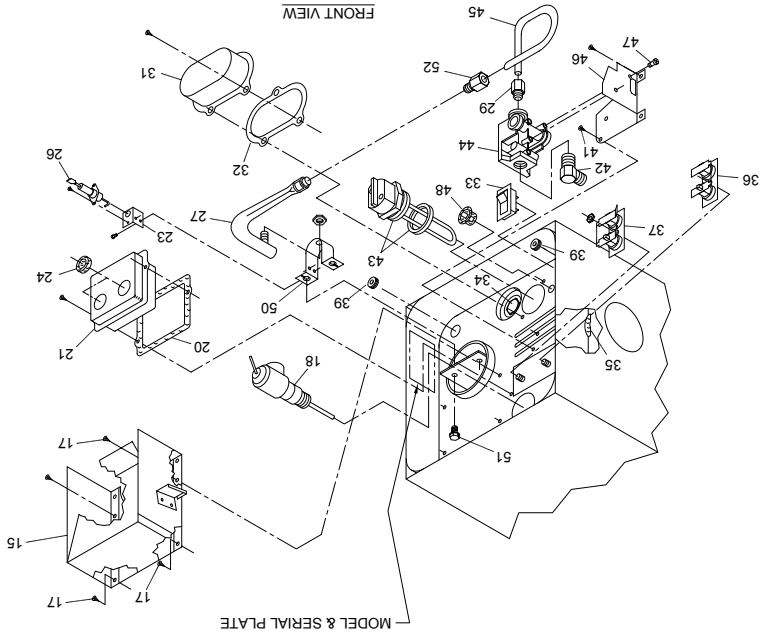
Pour référence, inscrire ci-dessous l'information descriptive de l'appareil  
NUMÉRO DE MODÈLE \_\_\_\_\_  
NUMÉRO DE SÉRIE \_\_\_\_\_  
NUMÉRO DE STOCK \_\_\_\_\_  
DATE D'ACHAT \_\_\_\_\_

# LA NOMENCLATURE POUR LE MODÈLE SW10DEM, SW12DEM ET SW16DEM (Les Figures 17 et 18)

No. De l'article	Description	No. De l'article	Description
1	Le Couvrec, La carte module	29	Vis Loxit 1/4
4	Le Couvrec, La Boite de Dérivation	31	Le Couvrec, L'élément
5	La Vis 10-32 x 3/8 (Verte)	32	Le Joint, Le Couvrecle d'élément
7	L'Interrupteur, L'assemblage de la Lampe et la Plaque	33	L'Interrupteur, L'élément électrique
8	La Traversée, Encliquetée 7/8"	34	L'anode
9	L'Isolant, La Carte Module	35	La Bague, L'admission de Gaz
10	La Carte Module	36	L'assemblage d'Interrupteur 120 V.C.A. T-Stat/Haute Limite
11	Le Couvrec, La Boite de Dérivation	37	L'assemblage d'Interrupteur 12 V.C.C. T-Stat/Haute Limite
12	L'écran, 10-24 keps (Vert)	39	La Bague
13	La Traversée	41	La Vis #10 x 1/4 (2 Exigées)
14	Le Dos, Le Collecteur du Tuyau	42	Le Support Montage du Clapet
15	Assemblage de dos Complet du Tuyau Collecteur	43	L'élément électrique avec le Joint (SW10DEM)
16	La Vis #10 x 1/4 (3)	44	L'élément électrique avec le Joint (SW12DEM, SW16DEM)
18	Le Clapet de Surpression	45	Le Clapet, Gaz (LP)
20	Le Joint, Le Couvrecle du Thermostat	46	Le Manifold, de Sortie
21	Le Couvrec, Le Thermostat/Haute-Limite	47	Le Support montage de clapet
23	Le Support, Montage D'électrode	48	La Vis #8-32 x 3/8 Hex HD
24	La Bague (2 Exigées)	49	La Traversée, Encliquetée 1/2"
26	L'électrode	50	Support du Bec
27	Assemblage de brûleur avec orifice	51	Support du Bec
		52	Vis Loxit 1/4
		53	Fil de électrode (Pas représenté) (SW10DEM)
			Fil de électrode (Pas représenté) (SW12DEM, SW16DEM).....232791



La Figure 17

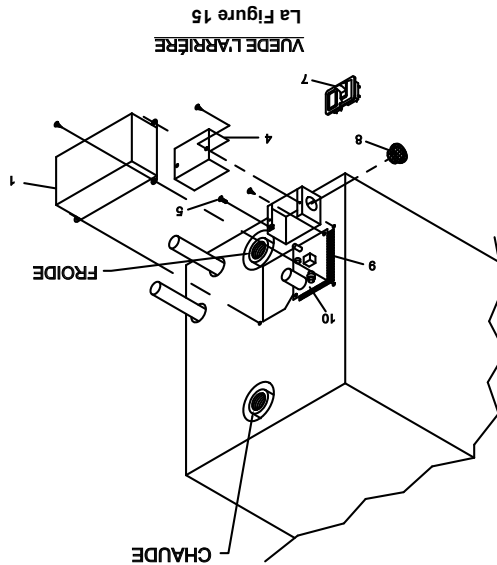


La Figure 18

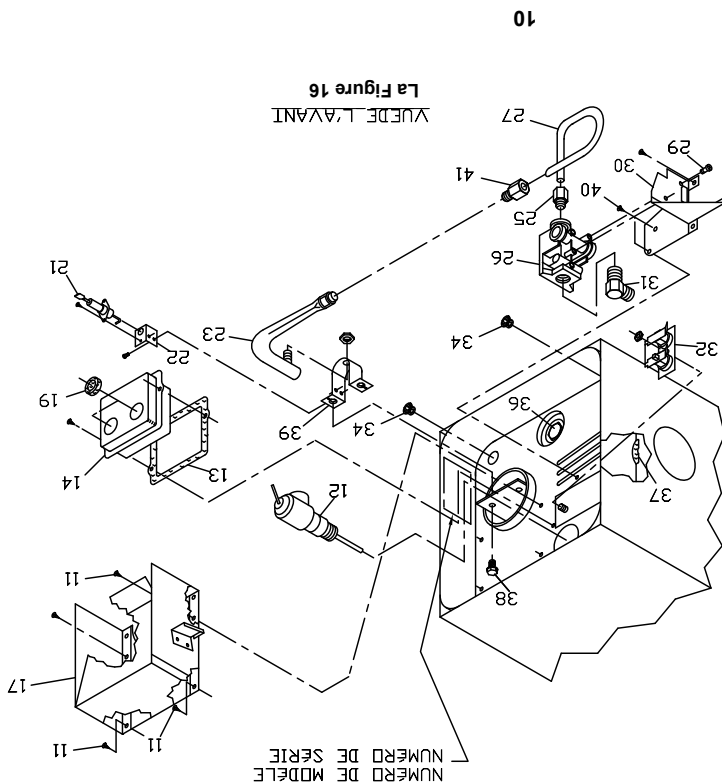


# LA NOMENCLATURE POUR LE MODÈLE SW10DM (Les Figures 15 et 16)

No. De l'article	Description	No. De l'article	Description
1	Le Couvre, La carte module	22	Le Support, Montage D'électrode
4	Le Couvre, La Boîte de Dérivation	23	Assemblage de brûleur avec office
5	La Vis 10-32 x 3/8 (Verte)	25	L'écrou Loxit 1/4
7	L'Interrupteur, L'assemblage de la Lampe et la Plaque	26	Le clapet, Gaz (LP)
8	La Traversée, Encliquetée 7/8	27	Le Manifold, de Sortie
9	L'isolant, La Carte Module	28	La Vis 10 x 3/8 (5 Exigées)
10	La Carte Module	29	La Vis 8-32 x 3/8 Hex, HD. (2 Exigées)
11	La Vis 10 x 1/4	30	Le Support Montage du Clapet
12	Le Clapet de Surpression	31	L'accessoire de Gaz
13	Le joint, le couvercle du thermostat	32	L'assemblage d'Interrupteur 12 V.C.C. T-Stat/Haute Limite
14	Le Couvercle, Le Thermostat/Haute Limite	34	La Bague
17	Assemblage de dos Complet du Tuyau Collecteur	36	L'Anode
19	La Bague	37	La Bague, L'admission de Gaz
21	L'électrode	38	La Vis 8mm - 4.0 x 1/2 Rondelle Hex HD (2 Exigées)
		39	Support du Bec
		40	La Vis #10 X 1/4 (2 Exigées)
		41	L'écrou Loxit 1/4
		42	Fil de électrode (Pas représenté)



La Figure 15  
VUE DE L'ARRIÈRE



La Figure 16  
VUE DE L'AVANT

NUMÉRO DE MODÈLE  
SW10DM

La Référence  
SW10DM

# L' ILLUSTRATION DES PIÈCES ET LA LISTE DES PIÈCES DE REMPLACEMENT

Seulement les pièces autorisées par l'usine seront utilisées. Ne pas tenter de réparer les pièces détachées

En commandant les pièces de réparation de votre marchand, un centre de service Suburban ou un distributeur, toujours donner l'information suivante:

1. La Référence (Pas le nombre de l'article)

2. La Description de la Pièce

3. Le Modèle, Nombre de Série de votre Chauffe-eau.

4. Nombre de pièces Exigées

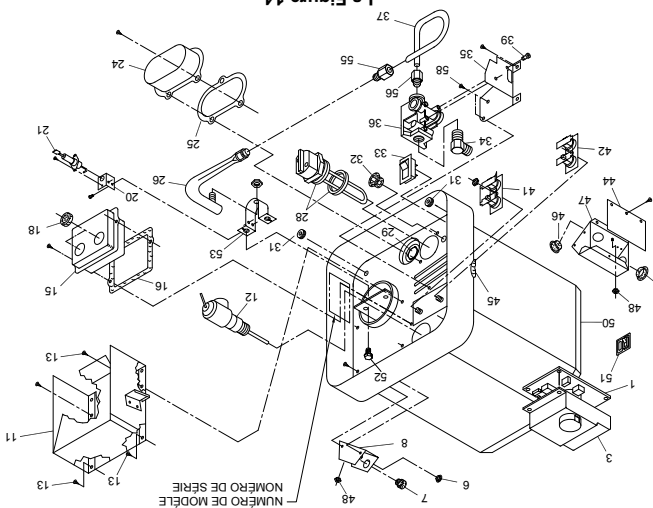
## LA LISTE DES PIÈCES POUR LES MODÈLES

SW10D • SW10DE  
SW12D • SW12DE  
SW16D • SW16DE

(La Figure 14)

La Référence

No. De l'article	Description	La Référence
1	La carte module	520814
3	La couverture la carte module	090487
6	La traversée encliquetée, 1/2"	070270
7	La traversée du serre-câble 5/8"	230216
8	L'assemblage de la boîte de dérivation C	090517
11	Assemblage de dos Complet du tuyau Collecteur	101777
12	Le clapet de surpression	161157
13	La vis, #10 x 1/4 (3)	121577
15	Le couvercle, le Thermostat, Haute Limite	090562
16	Le joint, le couvercle du thermostat	070987
18	La bague	070874
20	Le support, le montage d'électrode	063187
21	L'électrode	232258
24	Le couvercle, l'élément	090445
25	Le joint, Le Couvercle d'élément	070988
26	Assemblage de brûleur avec orifice	010843
28	L'élément électrique avec le joint	520789
29	L'andouille	232767
31	La bague	071246
32	La Traversée, À Ressort 1/2"	070270
33	L'Interrupteur, L'élément Électrique	232362
34	L'accessoire de Gaz	170374
35	Le Support Montage du Clapet	063243
36	Le clapet, Gaz (L.P)	161109
37	Le Manifold, de Sortie	171420
39	La Vis #8-32 x 3/8, Hex HD. (2 Exigees)	121958
41	L'Assemblage d'Interrupteur, 12 V.C.C. T-Stat/Haute Limite	232282
42	L'Assemblage d'Interrupteur, 120 V.C.A. T-Stat/Haute Limite	232306
44	Le Couvercle, La Boîte de dérivation	090576
45	La Bague, L'Admission de Gaz	070989
46	La Traversée, Encliquetée 7/8"	070889
47	L'Assemblage de la Boîte de Dérivation C.A	090575
48	L'écran, 10-24 keps (Vert)	121576
49	La Traversée, Encliquetée 7/8"	230218
50	La Traversée, Encliquetée 7/8"	230218
51	L'Interrupteur, L'assemblage de la Lampe et la Plaque	232589
52	La Vis 8mm - 4.0 x 1/2 Rondelle Hex HD (2 Exigees)	121943
53	Support du Bec	063444
55	Vis Loxit 1/4	171463
56	Vis Loxit 1/4	171463
57	Fil de électrode (Pas représenté) SW10D, SW12D, and SW12DE	232456
58	Fil de électrode (Pas représenté) SW16D and SW16DE	232459



## INSTRUCTIONS POUR LE FONCTIONNEMENT DES APPAREILS A ELECTRICITE

Les chauffe-eau électriques sont fabriqués pour opérer avec une quantité minimale de service d'entretien; cependant, le fonctionnement et l'entretien adéquat est essentiel.

Le problème le plus commun, de loin, avec les chauffe-eau électriques provient du fait qu'on les alimente en courant avant de les remplir d'eau. Même le fonctionnement bref de l'élément électrique sans eau dans le réservoir, grillera l'élément électrique de chauffage.

Pour alimenter l'élément électrique de chauffage, tournez le commutateur dans la position allumée (on). Le commutateur se trouve derrière la porte du chauffe-eau au coin gauche au bas du boîtier de contrôle. La température de l'eau sera réglée par le thermostat.

DE TOURNER LE CHAUFFE-EAU A L'ARRÊT

1. Tourner l'interrupteur à la position "ARRÊT".

2. Couper l'alimentation électrique à l'appareil.

3. Couper la fourniture de gaz.

4. Si le véhicule sera emmagasiné, ou le chauffe-eau sera mis à l'arrêt aux INSTRUCTIONS DE L'ASSÈCHEMENT ET D'EMMAGASINAGE.)

E. Avant de faire fonctionner le chauffe-eau, vérifier que l'endroit de la ventouse ne soit pas bloqué par l'ouverture d'aucune porte sur la remorque. S'il pourra être bloqué, ne pas faire fonctionner le chauffe-eau avec la porte ouverte.

### LES INSTRUCTIONS D'UTILISATION

1. ARRÊTER Lire l'information de sécurité fournie

2. Tourner le robinet de gaz (C) dans le sens des aiguilles d'une montre à la position "ARRÊT" et l'indicateur de température au positionnement le plus bas.

3. Couper la fourniture de gaz.

4. Couper tout le courant à l'appareil.

5. Mettre la fourniture de gaz "EN MARCHÉ".

6. Brancher l'alimentation à l'appareil.

7. Mettez l'interrupteur sur la position "ON" (allumé). Si le brûleur ne s'allume pas, le système aura, automatiquement deux essais d'allumage avant le blocage. Chaque cycle d'allumage aura 15 secondes de purge d'air avant l'entincelle.

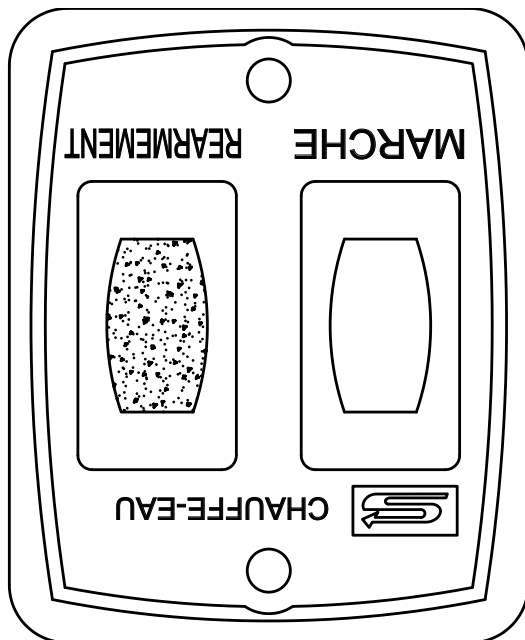
8. Si l'interruption d'accès se présentera avant que le bec principal s'allume, tourner l'interrupteur à "L'ARRÊT", atteindre cinq (5) secondes et tourner l'interrupteur à la position "EN MARCHÉ". Ce recommencera le cycle d'allumage. Le premier mettre en marche du chauffe-eau peut exiger plusieurs cycles d'allumage avant que tout l'air soit purgé des conduites de gaz.

Si le bec ne s'allumera pas, les articles suivants doivent être vérifiés avant de téléphoner un réparateur.

1. L'interrupteur à l'arrêt.

2. La fourniture de gaz au chauffe-eau est vide ou mettre à l'arrêt.

3. Le bouton de réenclenchement sur ECO est déclenché.



- D**, Ne pas utiliser cet appareil si aucune partie a été sous l'eau. Téléphoner immédiatement un technicien de service qualifié d'inspecter l'appareil et de remplacer aucune partie du système de commande et aucune commande de gaz qui a été sous l'eau.
- C**, C'est un tube à gaz automatique, les réglages ne sont pas nécessaires. Ne pas tenter de réparer le tube à gaz, ça peut résulter à l'incendie ou à l'explosion.
- D**, Ne pas utiliser cet appareil si aucune partie a été sous l'eau. Téléphoner immédiatement un technicien de service qualifié d'inspecter l'appareil et de remplacer aucune partie du système de commande et aucune commande de gaz qui a été sous l'eau.
- Si vous ne pouvez pas parler avec votre fournisseur de gaz, téléphoner le service des incendies.
  - Téléphonez immédiatement votre fournisseur de gaz d'un téléphone d'un voisin. Suivre les instructions du fournisseur de gaz.
  - Ne pas utiliser aucun téléphone dans votre immeuble.
  - Ne pas toucher aucun interrupteur électrique.
  - Ne pas essayer d'allumer aucun appareil.

#### QUE VA FAIRE SI VOUS SENTEZ LE GAZ

- que l'air et se stabiliser sur le plancher.
- B**, AVANT D'ALLUMER, sentir de tous côtés d'endroit de l'appareil pour le gaz. Soyez certain de sentir à côté du plancher parce que quelque gaz est plus lourd.
- A**, Cet appareil n'a pas de veilleuse. Il comporte un appareil d'allumage qui allume automatiquement le bec. Ne pas essayer d'allumer le bec à la main.

**Avertissement!** Avant de faire fonctionner le chauffe-eau, veiller à ce qu'il soit rempli d'eau. Voir les AVERTISSEMENTS DE SÉCURITÉ.

**AVERTISSEMENT:** Si vous ne suivez pas exactement ces instructions un feu ou une explosion peut résulter et causer la propriété endommagée, la blessure personnelle ou la mort.

## INSTRUCTIONS POUR ALLUMAGE ET UTILISATION

**Avertissement!** Si l'utilisateur de cet appareil ne le maintient pas en l'état dans lequel il a été livré, ou si l'appareil n'est pas utilisé uniquement pour l'application prévue, ou s'il ne fait pas l'objet d'un entretien conforme aux instructions de ce manuel, il existe un risque d'incendie et/ou de production de monoxyde de carbone, ce qui pourrait provoquer des dommages corporels et matériels, ou même un accident mortel.

## POUR VOTRE SÉCURITÉ LIRE AVANT DE FAIRE FONCTIONNER

Si la tuyauterie de votre chauffe-eau est équipée d'un conduit de dérivation, utilisez le pour arrêter le chauffe-eau, videz le chauffe-eau complètement et laissez le fermé (hors de système) dans la position de dérivation, particulièrement si vous allez introduire un antigel dans le système. L'antigel peut avoir un effet corrosif sur la tige anode créant une panne prématurée et un épais sédiment au bas du réservoir. Si la tuyauterie n'est pas équipée d'un conduit de dérivation, et vous avez l'intention de préparer votre chauffe-eau pour l'hiver en y ajoutant un antigel, enlevez la tige anode (l'entreposant pour l'hiver) et remplacez le par un bouchon de vidange de 3/4 pouce.

## PRÉPARATION POUR L'HIVER

- Sur tous les Modèles Électriques, débrancher l'alimentation de 120 V.C.A. à la boîte de dérivation montée sur le chauffe-eau.
- Sur tous les Modèles DSL, débrancher l'alimentation en courant de 12 V.C.C. à la boîte de dérivation sur le chauffe-eau.
- Sur les modèles SW10D, SW10DE, SW12D, SW12DE, SW16D and SW16DE débrancher tous les fils à la carte module.
- Fermer la distribution de l'eau. S'échapper l'eau du réservoir en suivant les instructions sous "l'écoulement et l'emmagasinement."
- Enlever les vis ou les clous qui fixent le boîtier de commande à l'ouverture encadrée.
- Glisser le chauffe-eau dehors. Pour réinstaller, suivre les instructions dans le manuel sous "Les instructions d'installation".

- Fermer la fourniture de gaz et débrancher la ligne de la fourniture de gaz du chauffe-eau.

## L'ENLÈVEMENT DU CHAUFFE-EAU

Un odeur émanant du système de distribution d'eau n'est pas imputable à l'équipement. Selon son origine l'eau peut contenir une quantité suffisante de sulfate pour émettre une odeur similaire à celle des œufs pourris (eau sulfurée). Il s'agit d'une odeur désagréable, mais à laquelle aucun danger n'est associé; elle peut être due à une réaction chimique ou à la présence de bactéries. Un traitement de l'eau par le chlore permet l'élimination de cette odeur. Verser un produit de blanchiment chloré (produit liquide ménager) dans le réservoir d'eau - environ six onces par fraction de 10 gallons de contenance du réservoir. Faire ensuite circuler l'eau chlorée à travers le système: ouvrir successivement chaque robinet (un seul à la fois) et laisser l'eau couler jusqu'à ce que l'odeur du chlore soit perceptible. Ne pas utiliser le VR pendant quelques jours; l'action du chlore avec de l'eau pour éliminer le chlore; il peut être nécessaire de répéter plusieurs fois cette opération. On peut également envisager l'installation d'un système de filtration pour retenir les résidus de chlore et les composés responsables des odeurs d'œufs pourris. Si l'odeur d'œufs pourris persiste, traiter/rincer de nouveau le système selon la méthode ci-dessus, et remplacer la tige d'anode selon le besoin.

## L'ODEUR DU SYSTÈME DE L'EAU CHAUDE

**NOTE:** Soyez certain de remplir le chauffe-eau avec l'eau et enlever tout l'air du réservoir et les lignes avant de réallumer ou avant de brancher l'alimentation électrique.

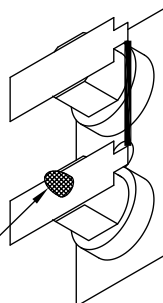
1. Couper l'alimentation électrique au chauffe-eau à l'interrupteur pour l'élément électrique ou au disjoncteur.
2. Fermer la fourniture de gaz au chauffe-eau.
3. Fermer la pompe élévatrice sur le système de l'eau.
4. Ouvrir les deux robinets de l'eau chaude et froide.
5. Enlever la tige de l'anode du réservoir.
6. Suivre les instructions du fabricant du véhicule de récréation pour écouler le système de l'eau entier.

1. Couper l'alimentation électrique au chauffe-eau à l'interrupteur pour l'élément électrique ou au disjoncteur.
2. Fermer la fourniture de gaz au chauffe-eau.
3. Fermer la pompe élévatrice sur le système de l'eau.
4. Ouvrir les deux robinets de l'eau chaude et froide.
5. Enlever la tige de l'anode du réservoir.
6. Suivre les instructions du fabricant du véhicule de récréation pour écouler le système de l'eau entier.

## LES INSTRUCTIONS D'ÉCOULEMENT ET D'EMMAGASINAGE

La Figure 13

HAUTE-LIMITE  
120 V.C.A. T-STAT



Pour activer l'élément, la température de l'eau doit être en dessous de 110°F, pousser le bouton de réenclenchement pour réactiver l'élément électrique.

La température au-dessus de 180°F causera le bouton de réenclenchement de disjoncter et fermer l'élément électrique.

Les modèles de chauffe-eau inscrits au-dessus sont équipés avec une limite de haute température comme un appareil de coupe.

**LES MODÈLES SW10DE et SW10DEM  
SW12DE et SW12DEM  
SW16DE et SW16DEM**

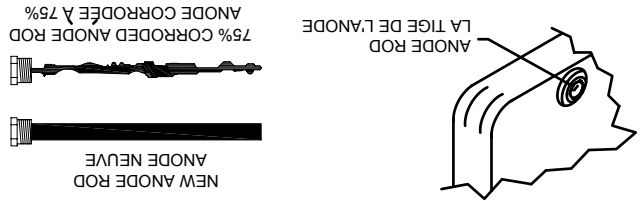
(Voir la Figure 13)

## LE THERMOSTAT ET LA REMISE À ZÉRO MANUELLE

La température et la soupape de surpression sont dessinées d'ouvrir si la température de l'eau dans le chauffe-eau atteindra 210°F, ou si la pression de l'eau dans le chauffe-eau atteindra 150 livres. Les systèmes de l'eau des véhicules de récréation sont les systèmes fermés et pendant le cycle de chauffage de l'eau la montée de la pression dans le système de l'eau atteindra 150 livres. Quand cette pression est atteinte, la soupape de surpression ouvrira et l'eau gouttera de la soupape. Cet écoulement continuera jusqu'à la pression est réduite à en dessous de 150 livres, et la soupape ferme. Cette condition est normale et n'indique pas une soupape de surpression défectueuse.

## LA SOUPAPE DE SURPRESSION

La Figure 11



**AVERTISSEMENT!** Ne pas remplacer la tige de l'anode avec aucune partie d'accessoire non-Suburban, tel qu'un élément de chauffage électrique "ajouté". Les articles tel que ceux-ci ne sont pas approuvés d'être installés dans les produits Suburbans. Ils peuvent créer une condition dangereuse et rendront nul aussi toutes les garanties.

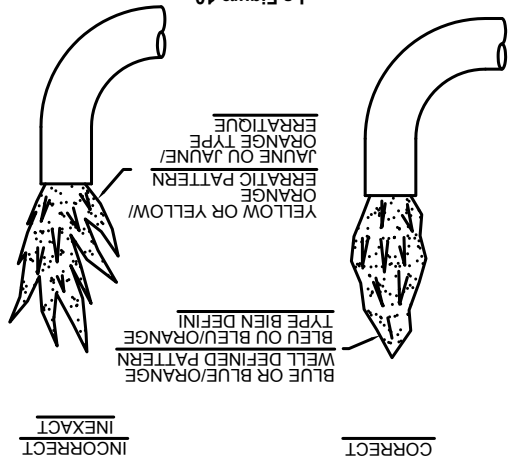
Référez vous également à la section sur la Préparation Pour L'Hiver.

Le fonctionnement du chauffe-eau sans la protection de l'anode adéquate diminuera la vie du réservoir et rendra nul votre garantie sur le réservoir. NOTE: Le réservoir s'est écoule en enlevant la tige de l'anode (Voir "Les instructions D'écoulement et D'emmagasinement"). Pour maximiser la longévité de l'anode, vider l'eau du réservoir avant chaque période d'inutilisation du véhicule. Éviter toute période d'inutilisation avec réservoir plein.

Le réservoir de ce chauffe-eau est protégé contre la corrosion électrolytique provoquée par l'eau chaude, par une anode de magnésium ou d'aluminium; ceci prolonge la durée de service. Sous l'utilisation normale la tige de l'anode s'abîmera et à cause de cela, nous recommandons qu'elle soit remplacée annuellement. NOTE: L'eau avec les hauts niveaux de fer et/ou le sulfate augmentera le taux de détérioration; par conséquent, le remplacement plus fréquent peut être exigé. Lorsque l'anode de protection a été rongée par la corrosion, il suffit de la remplacer. (Voir la Figure 11)

## LA PROTECTION DE L'ANODE

La Figure 10



Lorsque le chauffe-eau fonctionne, on peut parfois observer de petits écoulements d'eau par la soupape de sécurité du chauffe-eau. Ceci ne signifie pas toujours que la soupape de sécurité (pression/température) soit défectueuse. L'eau se dilate lors du chauffage. Le circuit de canalisations d'eau d'un véhicule récréatif est un circuit fermé, qui ne permet pas la dilatation de l'eau chauffée. Lorsque la pression dans le circuit atteint la pression de réglage de la soupape, celle-ci laisse s'écouler un peu d'eau pour réduire la pression. Suburban recommande de ne pas installer une valve directement à l'arrivée d'eau du réservoir du chauffe-eau. Ce qui augmentera le suitelement de la soupape de sêreté.

## FUITE D'EAU PAR LA SOUPAPE DE SÉCURITÉ

**AVERTISSEMENT!** Ne pas mettre une soupape entre la soupape de surpression et le réservoir. Ne pas boucher la soupape de surpression sous aucunes circonstances.

1. Arrêter le chauffe-eau.
2. Fermer l'arrivée d'eau froide.
3. Ouvrir un robinet dans le VR.

4. Manœuvrer la manette de la soupape de sécurité et laisser l'eau s'écouler, jusqu'à ce que l'écoulement cesse.
5. Lâcher la manette de la soupape - elle doit se fermer d'elle-même.
6. Lorsque le réservoir se remplit, fermer le robinet et ouvrir l'arrivée d'eau froide. La poche d'air se forme.

Répéter cette opération aussi souvent que c'est nécessaire pour réduire la fréquence des libérations d'eau par la soupape de sécurité. Si après cette opération ces écoulements d'eau persistent, on peut envisager d'installer un réservoir de dilatation ou d'accumulation dans la canalisation d'arrivée d'eau froide, capable d'absorber la pression générée par la dilatation thermique.

Pour toute assistance, contacter le concessionnaire.

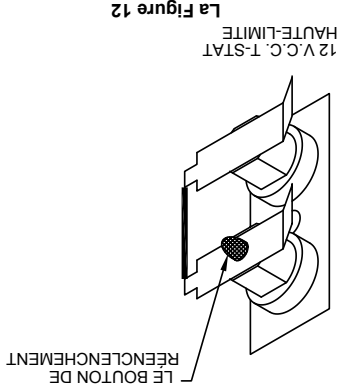
## LE THERMOSTAT ET LA REMISE À ZERO MANUELLE

LES MODELES SW10D, SW10DE, SW10DM, et SW10DEM

SW12D, SW12DE et SW12DEM  
SW16D, SW16DE et SW16DEM

(Voir la Figure 12)

Les modèles de chauffe-eau inscrits au-dessus sont équipés avec une limite de haute température comme un appareil de mettre hors circuit. La température au-dessus du 180°F causera le bouton de réenclenchement de disjoncter en fermant le bec principal. Pour activer le bec, la température de l'eau doit être en dessous du 110°F. Pousser le bouton de réenclenchement pour réactiver le bec.



La Figure 12

**AVERTISSEMENT!** Si l'usage de cet appareil néglige de le maintenir dans ses conditions dans lesquelles il a été expédié de l'usine ou si l'appareil est utilisé intentionnellement dans un but autre que celui pour lequel il a été conçu, ou si l'appareil n'est pas maintenu en état selon les instructions contenues dans ce manuel; Conséquence, le risque d'incendie et/ou de production d'oxyde de carbone se fera, ce qui peut causer des blessures personnelles, dommages de propriété ou la perte de vie.

**AVERTISSEMENT!** Pour votre sécurité toutes les réparations doivent être exécutées par votre revendeur ou une personne de service qualifiée.

**A.** Le Bec Principal - Ne pas permettre le bec de brûleur avec une flamme jaune, parce que la suie produira. (Voir les avertissements de sécurité). Si la flamme du bec est jaune et d'un type erratique, fermer l'unité et contacter une agence de service qualifiée. Ne pas continuer de faire fonctionner l'unité avec une flamme du bec inexacte. Voir la Figure 10 pour l'apparence de la flamme correcte et inexacte.

**B.** Inspecter périodiquement l'unité pour la suie. Si la suie est présente n'importe où sur le chauffe-eau, immédiatement fermer le calorifère et contacter votre revendeur ou une personne de service qualifiée. La suie est un signe de combustion incomplète et doit être corrigée avant de faire fonctionner le chauffe-eau. Les endroits d'inspecter incluent:

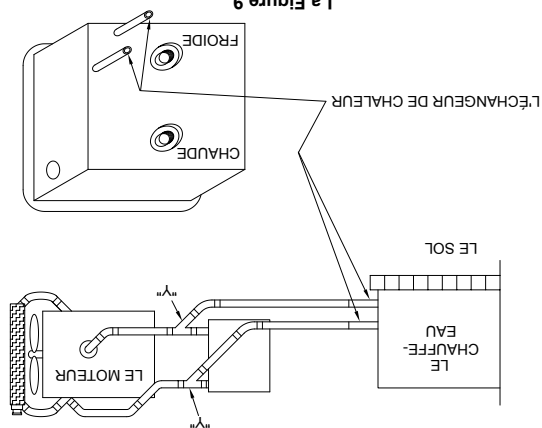
1. Inspecter pour une obstruction dans le bec ou la boîte du tuyau de cheminée.

2. Inspecter l'écran dans la porte pour vérifier que pas de matière étrangère a accumulé pour empêcher le débit de l'air de combustion et de l'air ventilé.

3. Inspecter pour être certain qu'il n'y a pas de flamme présente à l'orifice du bec ou le bec toutes les fois que le tube à gaz principal est fermé. Sur les modèles MARCHÉ/ARRÊT™ celui-ci peut être vérifié en tournant l'interrupteur "EN MARCHÉ/ARRÊT™" à la position "ARRÊT™".

**C.** Les inspections fréquentes doivent être faites de la bague sur l'admission de gaz pour assurer l'étanchéité serré. Voir "Les Branchements De Gaz."

**D.** Inspecter périodiquement le câblage et le branchement de câblage pour être certain que le câblage n'est pas endommagé/effiloché et que toutes les bornes de branchements de Fil(s).



## LES AVERTISSEMENTS DE SÉCURITÉ

**AVERTISSEMENT!** Il est impératif que le réservoir du chauffe-eau soit rempli d'eau avant toute utilisation. La mise en marche du chauffe-eau alors que le réservoir ne serait pas rempli d'eau peut faire subir des dommages au réservoir et/ou aux organes de commande; la garantie limitée ne couvre pas les dommages de cette nature subis par l'appareil.

**AVERTISSEMENT!** Le gaz d'hydrogène peut résulter si vous n'avez pas utilisé cet chauffe-eau depuis deux semaines ou de plus. LE GAZ D'HYDROGÈNE EST EXTRÊMEMENT INFLAMMABLE. Pour réduire le risque de blessures sous ces conditions, ouvrir le robinet de l'eau chaude depuis plusieurs minutes à l'évier avant que vous n'utilisez aucun appareil électrique branché au système de l'eau chaude. Si l'hydrogène est présent, vous entendrez probablement un son inhabituel tel que l'air échappant à travers la pipe comme l'eau commençant à couler.

Le gaz d'hydrogène peut être présent même après l'eau s'est écoulée du réservoir. Ouvrir le robinet à l'évier et permettre le système de décharger depuis plusieurs minutes (5-10 minutes).

**AVERTISSEMENT!** Le thermostat du chauffe-eau n'est pas réglable. C'est un dispositif de limitation de la température, conçu pour maintenir la température de l'eau à 54°C/130°F. De l'eau dont la température est supérieure à 49°C/125°F peut provoquer instantanément des brûlures graves, susceptibles d'entraîner la mort. On doit donc être très prudent lors de l'utilisation de l'eau chaude. Les enfants et les personnes âgées ou handicapées sont les plus exposées aux risques de brûlure. On doit toujours évaluer la température de l'eau par un bref contact de la main avant de prendre un bain ou une douche.

**AVERTISSEMENT!** Ne pas emmagasiner ou utiliser les matières combustibles ou les liquides proches ou adjacents à cet chauffe-eau. L'appareil ne sera pas installé dans aucun emplacement où les liquides inflammables ou les vapeurs sont possibles d'être présents.

**AVERTISSEMENT!** Ne pas emmagasiner ou utiliser les matières combustibles ou les liquides proches ou adjacents à cet chauffe-eau. L'appareil ne sera pas installé dans aucun emplacement où les liquides inflammables ou les vapeurs sont possibles d'être présents.

**AVERTISSEMENT!** Le système d'alimentation en gaz est éteint (OFF) pendant tout type de réalimentation en gaz et quand le véhicule est en mouvement ou est en train d'être remorqué.

**AVERTISSEMENT!** Ne pas emmagasiner ou utiliser les matières combustibles ou les liquides proches ou adjacents à cet chauffe-eau. L'appareil ne sera pas installé dans aucun emplacement où les liquides inflammables ou les vapeurs sont possibles d'être présents.

**AVERTISSEMENT!** Ne pas emmagasiner ou utiliser les matières combustibles ou les liquides proches ou adjacents à cet chauffe-eau. L'appareil ne sera pas installé dans aucun emplacement où les liquides inflammables ou les vapeurs sont possibles d'être présents.

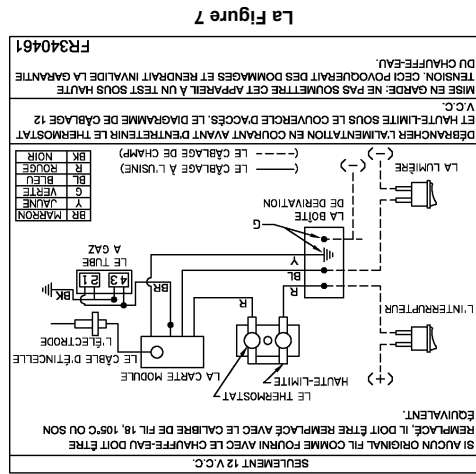
**AVERTISSEMENT!** Le thermostat du chauffe-eau n'est pas réglable. C'est un dispositif de limitation de la température, conçu pour maintenir la température de l'eau à 54°C/130°F. De l'eau dont la température est supérieure à 49°C/125°F peut provoquer instantanément des brûlures graves, susceptibles d'entraîner la mort. On doit donc être très prudent lors de l'utilisation de l'eau chaude. Les enfants et les personnes âgées ou handicapées sont les plus exposées aux risques de brûlure. On doit toujours évaluer la température de l'eau par un bref contact de la main avant de prendre un bain ou une douche.



- A.** Mettre les "Y"s de cuivre dans le chauffe-eau comme montrés à la Figure 9.
  - B.** Fixer les tuyaux aux "Y"s avec les colliers de tuyau.
  - C.** Attacher le tuyau d'échangeur de chaleur à moteur aux "Y"s.
  - D.** Fixer les tuyaux à l'aide à moteur et les "Y"s avec les colliers.
  - E.** Inspecter tous les branchements pour les fuites de l'eau et la circulation de l'eau adéquate à travers d'échangeur de chaleur de l'aide à moteur, pendant le fonctionnement du moteur.
- Le système doit être inspecté annuellement pour la détérioration des tuyaux et des branchements de tuyaux du chauffe-eau. Remplacer s'il le faut.

## L'INSTALLATION D'ÉCHANGEUR DE CHALEUR DE L'AIDE À MOTEUR

**AVERTISSEMENT!** Avant de placer le commutateur de l'élément chauffant à la position de marche, on doit complètement remplir le réservoir de chauffe-eau avec de l'eau. Voir les AVERTISSEMENTS DE SÉCURITÉ.



La Figure 7

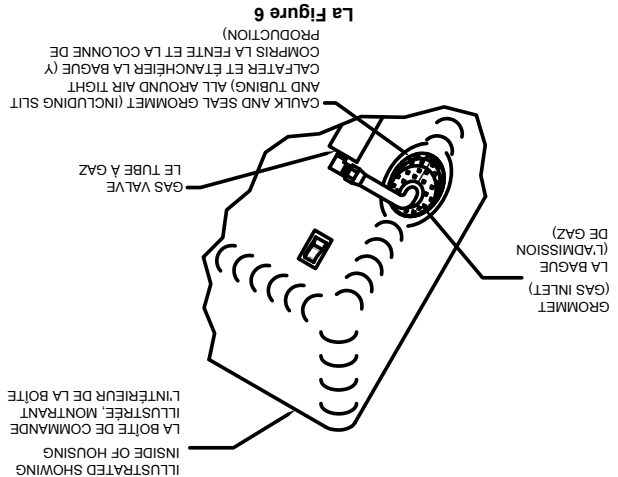
- 1. Fourniture d'une tension constante
  - 2. Filtrage de toute surtension, continue ou CA.
- Nous recommandons l'utilisation de bornes isolées pour toutes les connexions électriques.

Si l'alimentation doit être électriquement à partir d'un convertisseur, on suggère que le convertisseur soit câblé en parallèle avec la batterie. Ceci remplira deux fonctions:

- D.** Faire les branchements électriques de 12 Volt C.C. en suivant le diagramme de câblage illustré à la Figure 7.

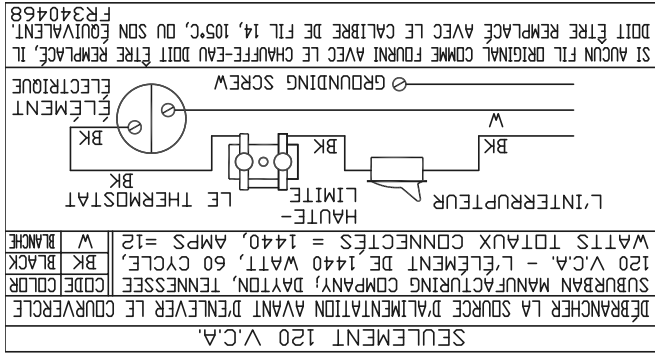
- B.** Se référer à la Figure 2 pour l'emplacement de la boîte de dérivation C.C. sur les modèles SW10D, SW10DE, SW12D, SW12DE, SW16D et SW16DE. Se référer aux Figures 4 et 5 pour l'emplacement de la boîte de dérivation C.C. sur le modèle SW10DM, SW10DEM, SW12DEM et SW16DEM.
- C.** Les branchements électriques doivent être faits conformément aux codes et réglementations locaux. Dans l'absence de codes et réglementations locaux, se référer à l'édition la plus récente du Code National Électrique NFPA No. 70.
- Le Canada l'installation électrique doit conformer à la norme de CSA, Z240.6.2-08/C.22.2 No. 148-08 Exigences Électriques pour Les Véhicules de Récréation et CSA C22.1 Code Canadienne Électrique La partie 1 en installant l'unité dans les véhicules de récréation et grands caravanes respectivement.

## LES BRANCHEMENTS ÉLECTRIQUES 12 VOLTS C.C.



La Figure 6

- A.** Applicable aux modèles suivants: SW10DE, SW10DM, SW12DE, SW12DM, SW16DE ET SW16DEM.
  - B.** Se référer à la Figure 2 pour l'emplacement de la boîte de dérivation C.C. sur les modèles SW10DE, SW10DE, SW12DE, SW12DE, SW16DE et SW16DE. Se référer à la Figure 5 pour la boîte de dérivation C.C. sur les modèles SW10DEM, SW10DEM, SW12DEM et SW16DEM.
  - C.** Les branchements électriques doivent être faits conformément aux codes et réglementations locaux. Dans l'absence de codes et réglementations locaux, se référer à l'édition la plus récente du Code National Électrique NFPA No. 70.
  - Le Canada l'installation électrique doit conformer à la norme de CSA, Z240.6.2-08/C.22.2 No. 148-08 Exigences Électriques pour Les Véhicules de Récréation et CSA C22.1 Code Canadienne Électrique La partie 1 en installant l'unité dans les véhicules de récréation et grands caravanes respectivement.
  - D.** Vérifier la plaque signalétique et le schéma de câblage (Figure 8) avant de continuer. Installer le disjoncteur de protection fondu ou le disjoncteur de capacité adéquate entre le chauffe-eau et la source d'alimentation électrique. Attacher les fils noirs et blancs du disjoncteur fondu ou disjoncteur aux fils correspondants dans la boîte de dérivation du chauffe-eau. Un fil vert d'une source bien mise à la terre doit être attaché à l'échou vert dans la boîte de dérivation.
- Mise en garde:** Avant de connecter une source d'électricité 120 VAC à l'appareil au niveau de la boîte de connexion, veiller à ce que le commutateur de l'élément chauffant soit à la position d'arrêt.



La Figure 8

## LES BRANCHEMENTS ÉLECTRIQUES 120 VOLTS C.A.



## INSTRUCTIONS D'INSTALLATION

**AVERTISSEMENT!** L'installation de cet appareil doit être exécutée en accordance avec les instructions écrites fournies dans le manuel. Aucun agent-représentant ou employé de Suburban ou autre personne, n'a l'autorité pour changer, modifier ou dégrader le contenu des instructions fournies dans ce manuel.

**ATTENTION:** Si c'est possible, ne pas installer le calorifère où la ventouse peut être couverte ou obstruée quand aucune porte sur la caravane est ouverte. Si ce n'est pas possible, les voyages de la porte doivent être limités pour fournir un espace libre de 6 pouces entre la ventouse du calorifère et aucune porte chaque fois que la porte est ouverte.

**ATTENTION:** À cause des différences en bardages de vinyle, cet appareil ne doit pas être installé sur le bardage de vinyle sans premièrement consulter la ventouse de l'appareil.

**ATTENTION:** Dans aucune installation dans laquelle la ventouse de cet appareil peut être couverte à cause de la construction du véhicule de récréation ou quelque caractéristique spéciale du véhicule de récréation comme la glissière, sauté, etc. toujours assurer que l'appareil ne peut pas fonctionner en mettant le calorifère à la position positive "ARRET" et en fermant toutes sources d'électricité et de gaz à l'appareil.

**MISE EN GARDE:** Ne pas installer cet appareil dans une configuration où le conduit d'évacuation se termine sous un compartiment d'expansion. Ne pas installer cet appareil sous un surplomb. Il doit être suffisamment éloigné de tout surplomb.

Cette installation doit conformer avec les exigences de l'autorité ayant la juridiction ou dans l'absence de telles exigences avec l'édition la plus récente du Code de Gaz du Combustible National ANSI Z223.1/NFPA 54; et l'édition la plus récente de la Norme Nationale américaine pour les Véhicules de Récréation NFPA 1192; au Canada l'installation doit conformer avec les normes suivantes.

**A.** Pour l'installation dans les Véhicules de Récréation.

**1.** Le Gaz - La Norme de CSA, CSA Z240.4-2-08 Les Exigences d'installation pour les appareils de propane et matériel dans les véhicules de récréation.  
**2.** L'Électrique - La Norme de CSA, Z240.6-2-08/C 22.2 No. 148-08 Les Exigences électriques pour les véhicules de récréation.

**3.** La Plomberie - La norme de CSA, CSA No. Z240.3.2 Les Exigences de Plomberie pour les Véhicules de récréation.  
**B.** Pour l'installation dans le logement mobile:

**1.** Le Gaz - La norme de CSA, CSA Z240.4.1 les exigences d'installation pour les appareils brûlants à gaz et le matériel dans les grandes caravanes.  
**2.** L'Électrique - La norme de CSA, CSA C22.1 Le Code Électrique Canadienne 1er partie.  
**3.** La Plomberie - La Norme de CSA, CSA Z240.3.1 Les Exigences de Plomberie pour les grandes caravanes.

## LES INSTRUCTIONS D'INSTALLATION

L'espace libre minimum de la construction combustible sur les côtés, le sommet, le plancher, et l'arrière = 0 pouces. Fournir l'espace pour l'accès à l'arrière de chauffe-eau pour l'entretien.

Fournir une ouverture au ras du plancher dans le mur externe de la voiture comme montrée. Le mur de la voiture doit être encadré comme montré à la Figure 1. Maintenez les dimensions intérieures inscrites en dessous. Ne pas installer sur le tapis sauf si le tapis est couvert par un bouclier métal ou bois couvrant l'endroit entier en dessous du chauffe-eau. Si vous préférez, vous pouvez couper le tapis de cet endroit.

## L'INSTALLATION EN UTILISANT LE CADRE ET LA

### PORT ENCASTRES

(Voir la Figure 2 pour l'illustration)

**A.** Mettre le chauffe-eau dans l'ouverture encadrée comme illustrée. Glisser l'unité dans l'ouverture jusqu'à ce que le devant du boîtier de contrôle est au, ras de la peau de la voiture extérieure.  
**B.** Fixer le boîtier de contrôle au mur de la voiture (l'ouverture encadrée) au

sommet et aux côtés de compartiment du boîtier de contrôle utilisant les vis ou d'autres attaches convenables. Encaster les vis ou les attaches assez loin du bord antérieur du boîtier de contrôle (approximativement 1 1/2") pour éviter le bourneuil sur le chambrane. Le chambrane, quand installé, ne doit pas imbriquer sur la vis ou d'autre tête d'attache. Si à cause de l'épaisseur de la paroi il n'est pas possible de fixer le chauffe-eau à cette paroi. Sans recouvrir la tête de l'agrafe (vis) avec l'encadrement de la porte, il est important de ne pas trop serrer l'agrafe (vis) et par conséquent déformer le boîtier de contrôle. Trop serrer l'agrafe (vis) peut causer une fuite entre le boîtier de contrôle et l'encadrement de la porte.

**NOTE:** Calléater autour du vis ou les têtes d'attache pour assurer le scelle étanche à l'eau.

**C.** Installer des cales de chaque côté du chauffe-eau, selon l'illustration de la Figure 1A.  
**D.** Sur les parois latérales de type mesa ou oder, aplatir la superficie du mur autour de l'ouverture.

**E.** Calléater autour de l'ouverture encadrée (la peau de la remorque) comme illustrée.

**F.** Calléater autour du chambrane utilisant 2 perles de callatage de silicone (ou un callatage convenable) - un sur le bourrelet pour sceller au boîtier de contrôle et un autour du côté arrière du cadre pour sceller à la peau de la voiture (Voir le détail A dans l'illustration.)

**G.** Insérer le chambrane dans le boîtier de contrôle et fixer avec les trois (3) vis de No. 8-15 x 3 1/2" fournies.

**H.** Pour installer la porte, mettre les deux trous dans le fond de la porte sur les goujons sur le cadre. Fermer la porte pour que le verrou saillit à travers de la fente dans la porte. Tourner le verrou 90 degrés pour attacher la porte.  
**I.** La carte module sur les modèles SW10D, SW10DE, SW12D, SW12DE, SW16D et SW16DE n'est pas fixée au chauffe-eau. Il doit être monté en permanence par l'installateur.

La carte module doit être montée à un endroit où c'est accessible pour l'entretien cependant hors de la portée des enfants. Elle doit être située dans un endroit où elle ne peut pas être soumise à l'humidité, les produits chimiques de nettoyage, les vapeurs inflammables et les liquides, etc.

La carte ou tout câblage à la carte doivent être protégés pour empêcher les dégâts et le contact accidentel avec ces parties. La carte module peut être montée avec deux (2) vis de No. 6 x 5/8" ou d'autre quincaillerie convenable.

## COMMENT FAIRE LES BRANCHEMENTS D'EAU

**A.** Les branchements d'eau sont faits à l'arrière du chauffe-eau. Se Rétirer à la Figure 3 pour tous les modèles sauf le SW10DM, SW10DEM, SW12DEM et SW16DEM. Pour tous les modèles SW10DM, SW10DEM, SW12DEM et SW16DEM, se référer aux Figures 4 et 5. Brancher les lignes d'eau chaude et froide au raccord de tuyau femelle de 1/2" fourni sur l'arrière du réservoir. Ces raccords sont marqués "CHAUDE" et "FROIDE". **NOTE:** À l'intérieur de chaque raccord est un tube de remblai. Son but est de réhausser la circulation de l'eau. **NE PAS ENLEVER LE TUBE DE REMBLAI PLASTIQUE.**

**IMPORTANT:** Utiliser un mastic du filetage de tuyau convenable pour l'eau potable ou la bande du filetage de tuyau sur tous les branchements pour assurer qu'ils n'iront pas une fuite.

**B.** Pour la facilité de démontage, c'est suggéré qu'un raccord de tuyau soit installé dans chaque ligne d'eau.

**C.** Remplir le réservoir avec l'eau. Ouvrir les deux robinets d'eau chaude et froide pour expulser l'air du réservoir. Quand le réservoir est rempli et l'eau coule des robinets, fermer les deux robinets et regarder aux tous les rapports pour les fuites.

**ATTENTION: Si vous utilisez la pression d'air pour regarder pour les fuites, la pression ne doit pas excéder 30 PSI conformément à NFPA 1192.**

Après le test de recherche des fuites, vider l'eau du réservoir.

## COMMENT FAIRE LES BRANCHEMENTS DE GAZ

**A.** Brancher la conduite d'alimentation de gaz de 3/8" au raccord d'évasement de 3/8 au tube à gaz situé à la boîte de commande. En fabriquant le branchement de gaz tenir le raccord de gaz sur la soupape avec une clé en resserant l'écran d'évasement. L'échec de tenir le raccord sûr peut résulter à une fuite de gaz par suite du raccord étant endommagé. **NOTE:** Il sera nécessaire d'enlever la



SUBURBAN MANUFACTURING COMPANY  
676 Broadway Street  
Dayton, Tennessee 37321  
423-775-2131  
www.rvcomfort.com

TOUTES LES QUESTIONS TECHNIQUES ET LES QUESTIONS DE LA GARANTIE DOIVENT ÊTRE ADRESSÉES À LA SOCIÉTÉ MARQUÉE SUR LA GARANTIE, OU À LA PLAQUE SIGNALÉTIQUE QUI A ÉTÉ ENVOYÉE AVEC VOTRE CHAUFFE-EAU.

**LE PROPRIÉTAIRE: GARDER CES INSTRUCTIONS ET LA GARANTIE POUR LA RÉFÉRENCE FUTURE.**

**L'INSTALLATEUR: COLLER CES INSTRUCTIONS À OU ADJACENT AU CHAUFFE-EAU.**

UN ODEUR EST AJOUTÉ AU GAZ UTILISÉ PAR CET CHAUFFE-EAU.

NE PAS EMMAGASINER OU UTILISER L'ESSENCE OU LES AUTRES MATIÈRES COMBUSTIBLES OU LES LIQUIDES PRÈS OU ADJACENT À CET CHAUFFE-EAU OU AUCUN AUTRE APPAREIL. CET APPAREIL NE DEVRA PAS ÊTRE INSTALLÉ DANS AUCUN EMPLACEMENT OÙ LES LIQUIDES INFLAMMABLES OU LES VAPEURS PEUVENT ÊTRE PRÉSENTS.

**POUR VOTRE SÉCURITÉ**

**AVERTISSEMENT:** L'INSTALLATION, L'AJUSTEMENT, LA MODIFICATION, LE SERVICE OU L'ENTRETIEN IMPROPRE PEUT CAUSER LA BLESSURE OU LE DÉGÂT À LA PROPRIÉTÉ. VEUILLEZ VOUS RÉFÉRER À CE MANUEL POUR L'ASSISTANCE OU L'INFORMATION ADDITIONNELLE, CONSULTER UN INSTALLATEUR QUALIFIÉ, UNE AGENCE DE SERVICE OU LE FOURNISSEUR DE GAZ.

VIDER ENTIÈREMENT LE CHAUFFE-EAU S'IL Y A DES TEMPÉRATURES DE CONGÉLATION.

**AVERTISSEMENT DE LA CONGÉLATION**

- NE PAS ESSAYER D'ALLUMER AUCUN APPAREIL
- NE PAS TOUCHER AUCUN INTERRUPTEUR ÉLECTRIQUE: NE PAS UTILISER AUCUN TÉLÉPHONE DANS VOTRE VÉHICULE.
- APPELER IMMÉDIATEMENT VOTRE FOURNISSEUR DE GAZ DU TÉLÉPHONE D'UN VOISIN. SUIVRE LES INSTRUCTIONS DU FOURNISSEUR DE GAZ.
- SI VOUS NE POUVEZ PAS CONTACTER VOTRE FOURNISSEUR DE GAZ, APPELER LE SERVICE DES INCENDIES.

**POUR VOTRE SÉCURITÉ  
CE QUI FAIRE SI VOUS SENTEZ LE GAZ**

**POUR L'INSTALLATION DANS LES VÉHICULES DE RÉCRÉATION  
ET LE LOGEMENT MOBILE**

- SW10D • SW10E • SW10DM • SW10DEM
- SW12D • SW12E • SW12DEM
- SW16D • SW16E • SW16DEM

**LES MODÈLES**

**LA VENTOUSE DIRECTE  
LE CHAUFFE-EAU DE GAZ**

**LE MANUEL D'INSTALLATION ET D'EXPLOITATION**

